



# The Installation Manual

By Elocksys, Inc.  
Read and follow all safety rules  
and operating instructions before  
first use of this product.



# Table of Contents

1. [Safety Information](#)
2. [Kit Components](#)
3. [Required Tools](#)
4. [The Garage Door Lock – Lock Box Installation Instructions](#)
  - 4.1 [Installation Preparation](#)
  - 4.2 [Sectional Door Installation Instructions](#)
  - 4.3 [One-Piece Door Installation Instructions](#)
5. [Wall Console Installation Instructions](#)
  - 5.1 [Lock Mode Setting](#)
  - 5.2 [Auto-Close Feature](#)

# Table of Contents

- 6. [Keypad Installation Instructions](#)
  - 6.1 [Keypad Pairing Instructions](#)
  - 6.2 [Keypad Configuration – Setting New Passcode](#)
- 7. [Car Remote Pairing Instructions](#)
- 8. [Appendix](#)
  - 8.1 [Support Contact Information](#)
  - 8.2 [Unpair all Remotes and Disable Keypad](#)
  - 8.3 [Manual Override](#)
  - 8.4 [Warranty Information](#)

# Forward

The Garage Door Lock is an automatic deadbolt lock system that is designed to pair with most existing garage door openers on the market including older units. When properly installed, the system will take control of the garage door opener to ensure that the locking mechanism opens and closes before the door is lifted and shut for safe operation. Therefore, using your existing devices such as an outdoor keypad, car remote controls and the indoor wall console cannot be used. Many newer units have apps and app services that control your garage door. These also can no longer be used as they will not be able to control the Garage Door Lock system and could cause damage to your garage door or garage door opener. Please read the safety information in this manual for more information and warnings.

The Garage Door Lock system is a straightforward system to install for installers or experienced do-it-yourselfers. If you are not handy with basic tools including drills or do not have the tools required ([here](#)), please call a handyman or professional installer in your area to do the installation for you. The installation will take about an afternoon to complete. If you cannot finish the installation in that timeframe, do not plug in the Garage Door Lock devices or engage the lock until you can complete.

Please read the entire installation instructions prior to the start of the installation to familiarize yourself and be sure you have all of the tools and any necessary accessories ([here](#)) before beginning.

# Safety Information

- **Read and follow all safety rules and operating instructions before first use of this product.**
- **Periodic checks of the garage door lock are required to ensure safe operation.**
- The Garage Door Lock system has been designed and tested to offer safe service provided it is installed, operated, maintained and tested in strict accordance with the instructions and warnings contained in this manual.

# Safety, Warnings and Cautions

## IMPORTANT INSTALLATION INSTRUCTION

### **! WARNINGS !**

**To reduce the risk of severe injury or death:**

- ❖ Before servicing The Garage Door Lock, the garage door lock must be manually unlocked and disabled.
- ❖ Install The Garage Door Lock only on properly balanced and lubricated garage door. An improperly balanced door may not reverse when required and could result in SEVERE INJURY or DEATH.
- ❖ Without a properly working safety reversal system, persons (particularly small children) could be SERIOUSLY INJURED OR KILLED by a closing garage door.
- ❖ All repairs if needed, to cables, spring assemblies and other hardware MUST be made by a trained door systems technician BEFORE installing the lock.

### **! WARNINGS !**

**To reduce the risk of severe injury or death:**

- ❖ NEVER wear watches, rings or loose clothing while installing or servicing lock or operator. They could be caught in garage door, the Garage Door Lock, or the garage door opener mechanisms.
- ❖ To prevent possible SERIOUS INJURY or DEATH: ALWAYS call a trained door systems technician if garage door binds, sticks, or is out of balance. An unbalanced garage door may not reverse when required.
- ❖ NEVER connect the Garage Door Lock to a power source until instructed to do so.
- ❖ ONLY operate the Garage Door Lock and operator at 120VAC 60HZ to avoid malfunction and damage.

# Safety, Warnings and Cautions

## IMPORTANT INSTALLATION INSTRUCTION

### **! WARNINGS !**

**To reduce the risk of severe injury or death:**

- ❖ To prevent INJURY from pinching, Keep hands, and fingers away from the joints while installing and testing the Garage Door Lock system on the garage door.
- ❖ Review the SAFETY GUIDE in the garage door opener system manual
- ❖ While installing the Garage Door Lock, use common sense. If you are unclear on the instructions or if you do not feel comfortable installing the lock system, contact a qualified service technician.

# Safety, Warnings and Cautions

## FCC Regulations

### **! WARNINGS !**

#### **FCC Caution:**

Any Changes or Modifications Not Expressly Approved by The Party Responsible For Compliance Could Void the User ' s Authority to Operate the Equipment.

This Device Complies with Part 15 Of the FCC Rules. Operation Is Subject to the Following Two Conditions:

- (1) This Device May Not Cause Harmful Interference, And
- (2) This Device Must Accept Any Interference Received, Including Interference That May Cause Undesired Operation.

### **! WARNINGS !**

#### **FCC Caution:**

#### **Important Note:**

FCC Radiation Exposure Statement:

This Equipment Complies with FCC Radiation Exposure Limits Set for the For An Uncontrol led Environment. This Equipment Should Be Installed and Operated With Minimum Distance 20Cm Between the Radio & Your Body.

This Transmitter Must Not Be Co-Located or Operating in Conjunction with Any Other Antenna or Transmitter.

# Safety, Warnings and Cautions

## FCC Regulations

### ! WARNINGS !

#### FCC Caution:

**Note:** This Equipment Has Been Tested and Found to Comply with The Limits For A Class B Digital Device, Pursuant to Part 15 Of the FCC Rules.

These Limits Are Designed To Provide Reasonable Protection Against Harmful Interference In A Residential Installation. This Equipment Generates, Uses and Can Radiate Radio Frequency Energy And, If Not Installed and Used in Accordance with the Instructions, May Cause Harmful Interference to Radio Communications.

#### Important Note:

However, there is no Guarantee That Interference Will Not Occur in A Particular Installation. If This Equipment Does Cause Harmful Interference to Radio or Television Reception, Which Can Be Determined by Turning the Equipment Off and On, The User Is Encouraged to try to Correct the Interference by One Or More of The Following Measures:

Reorient Or Relocate the Receiving Antenna. Increase The Separation Between the Equipment and Receiver. Connect The Equipment into An Outlet on A Circuit Different from That to Which The Receiver Is Connected. Consult The Dealer or An Experienced Radio/TV Technician for Help.

# Kit Components

## The Garage Door Lock

**Lock Box**



**Outdoor Keypad**



**Remote Control**  
(additional remotes available for purchase)



**Control Box**

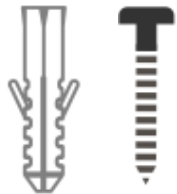


**Wall Console**



# Kit Components (Continue)

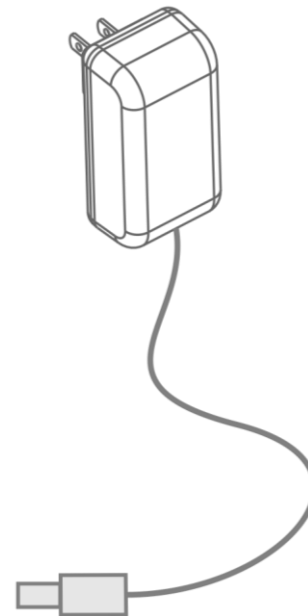
## The Garage Door Lock



Expansion  
Screw set (x4)



5ft 2-Strand Bell  
Wire (Red/White)



Power Adaptor



**Harness Clip**  
(not needed with one-  
piece doors)



**Clip with Magnet  
Piece inserted**  
(Clip not needed with  
one-piece doors)



#12 x 3" Pan Head  
Self-Drilling Screw (x2)



#6 x 1-1/2" Drywall  
Screw (x2)

# Other Components

## Dry Contact Adaptors – **MUST PURCHASE BEFORE START OF INSTALLATION**

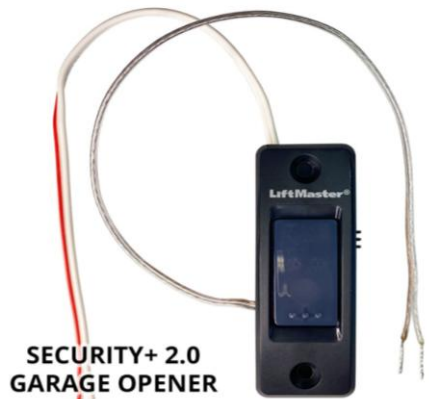
Required for newer Garage Door openers that support the Genie Series III or Liftmaster Security+ 2.0 technology and are sold separately (links below). Check the garage door manual to verify if required.

- Genie:

- [Genie Series III Dry Contact Adapter - for Garage Door Openers – The Genie Company](#)

- Liftmaster/Chamberlain/Craftsman:

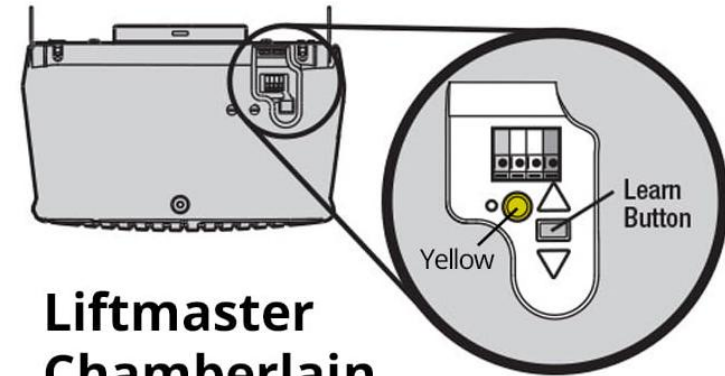
- Security+ 2.0 on 2011 or newer models with the yellow dot
- [Security+ 2.0 Wired Dry Contact Adapter – Garadget](#)



**Liftmaster - Dry Contact Adaptor**



**Genie Series III - Dry Contact Adaptor**



**Liftmaster  
Chamberlain  
Craftsman**

# Replacement Parts

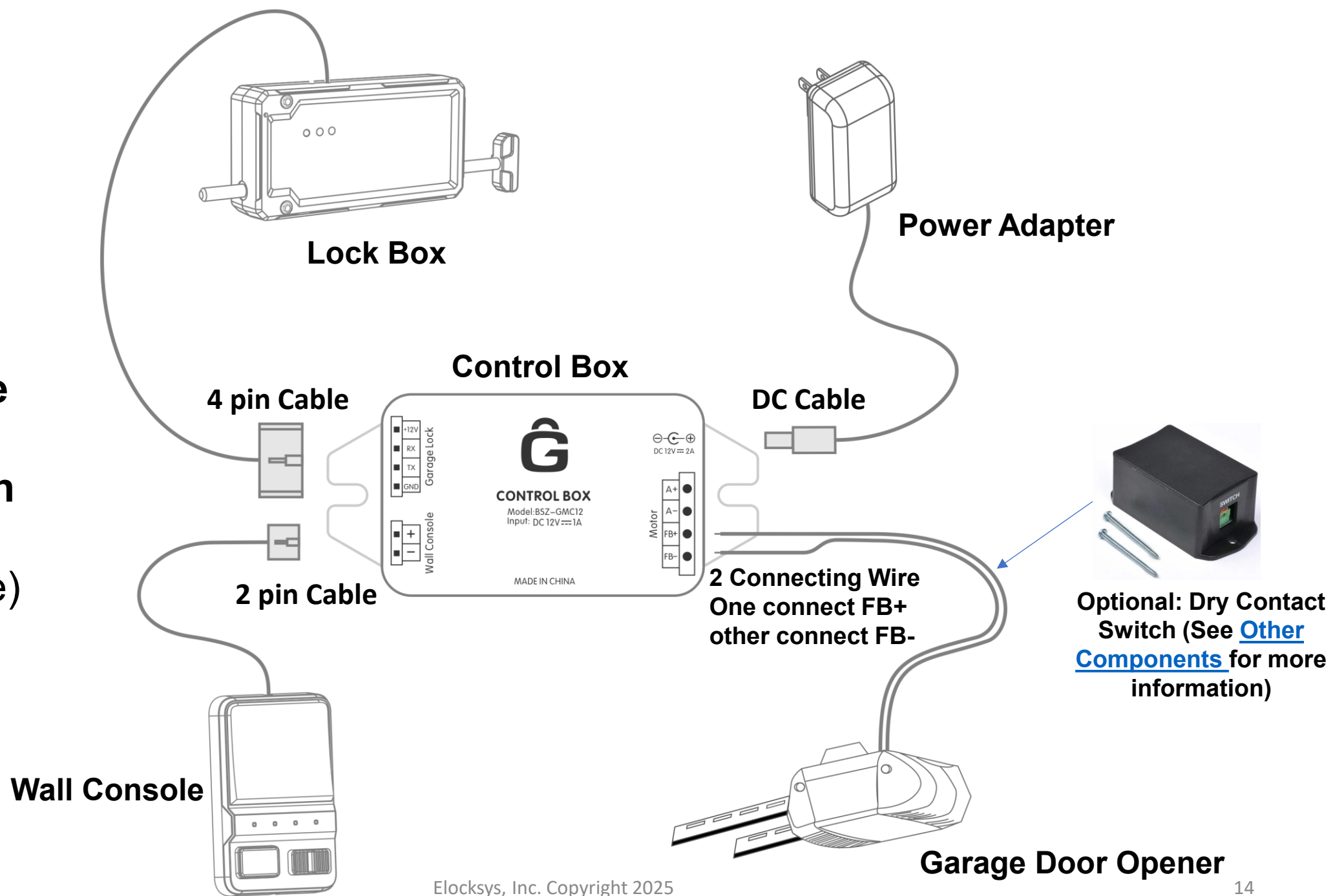


**Extra Remote Control**

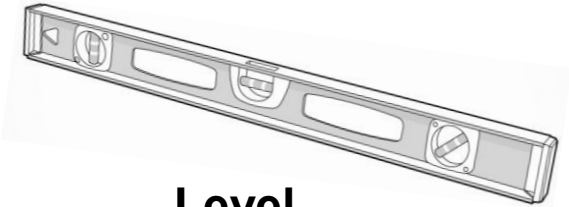
Additional remote controls are available for purchase on the website. Click on this [link](#) or visit [www.elocksys-garage.com](http://www.elocksys-garage.com) and go to the “Our Products” tab. Then select “The Garage Door Lock Remote Control”.

Note: Up to 5 remotes can be paired with the Garage Door Lock system. Pairing instructions available on website ([here](#) – under “Instructions” pulldown) and within this document ([here](#)). Replacement Battery CR2032

# The Garage Door Lock Connection Diagram (not to scale)



# Required Tools



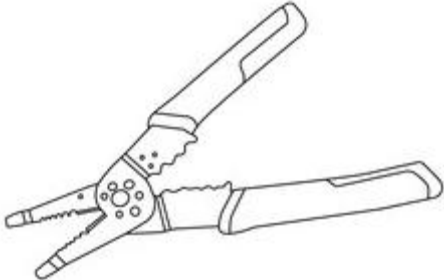
**Level**



**Medium Metal File**



**Step Ladder**



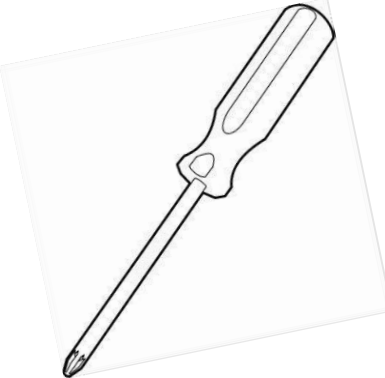
**Wire Strippers**



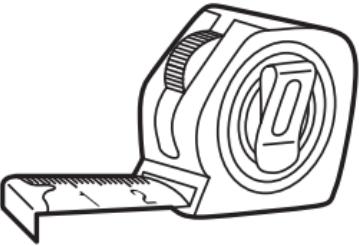
**Pencil**



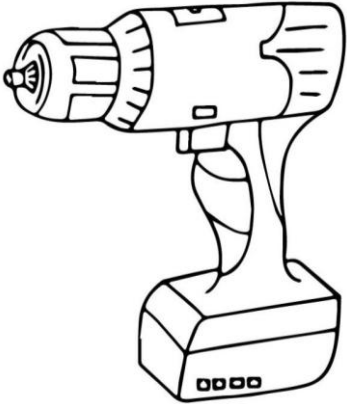
**Flathead  
Screwdriver**



**Philips  
Screwdriver**



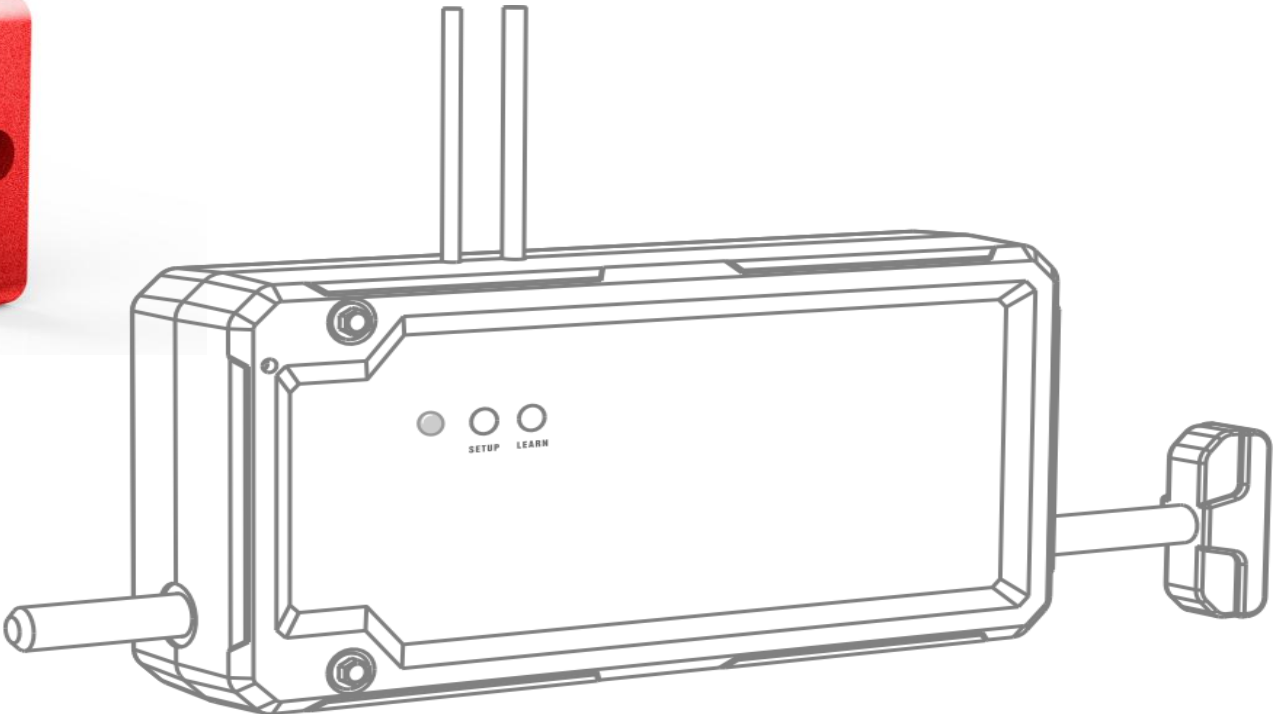
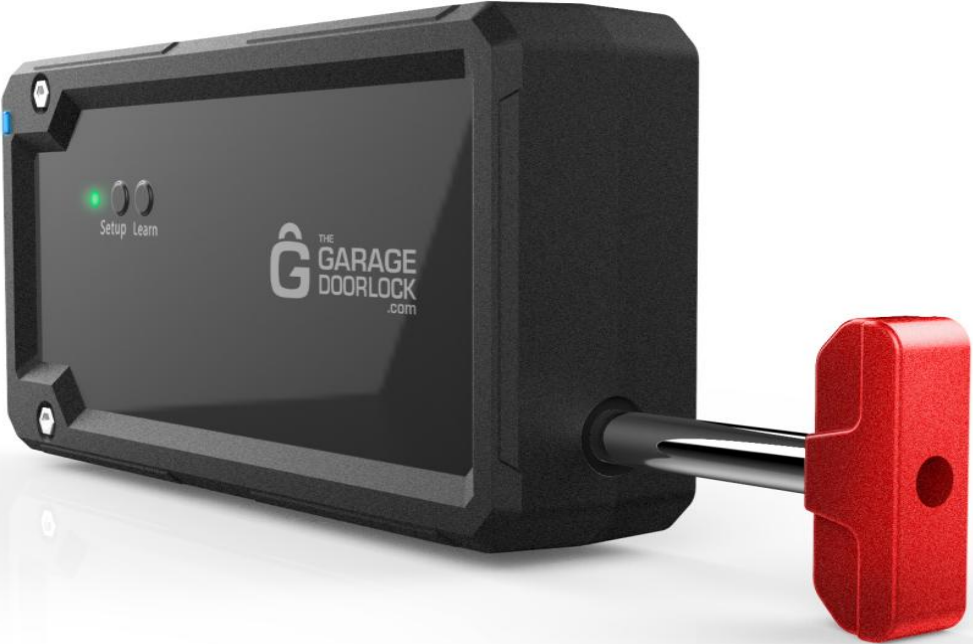
**Tape Measure**



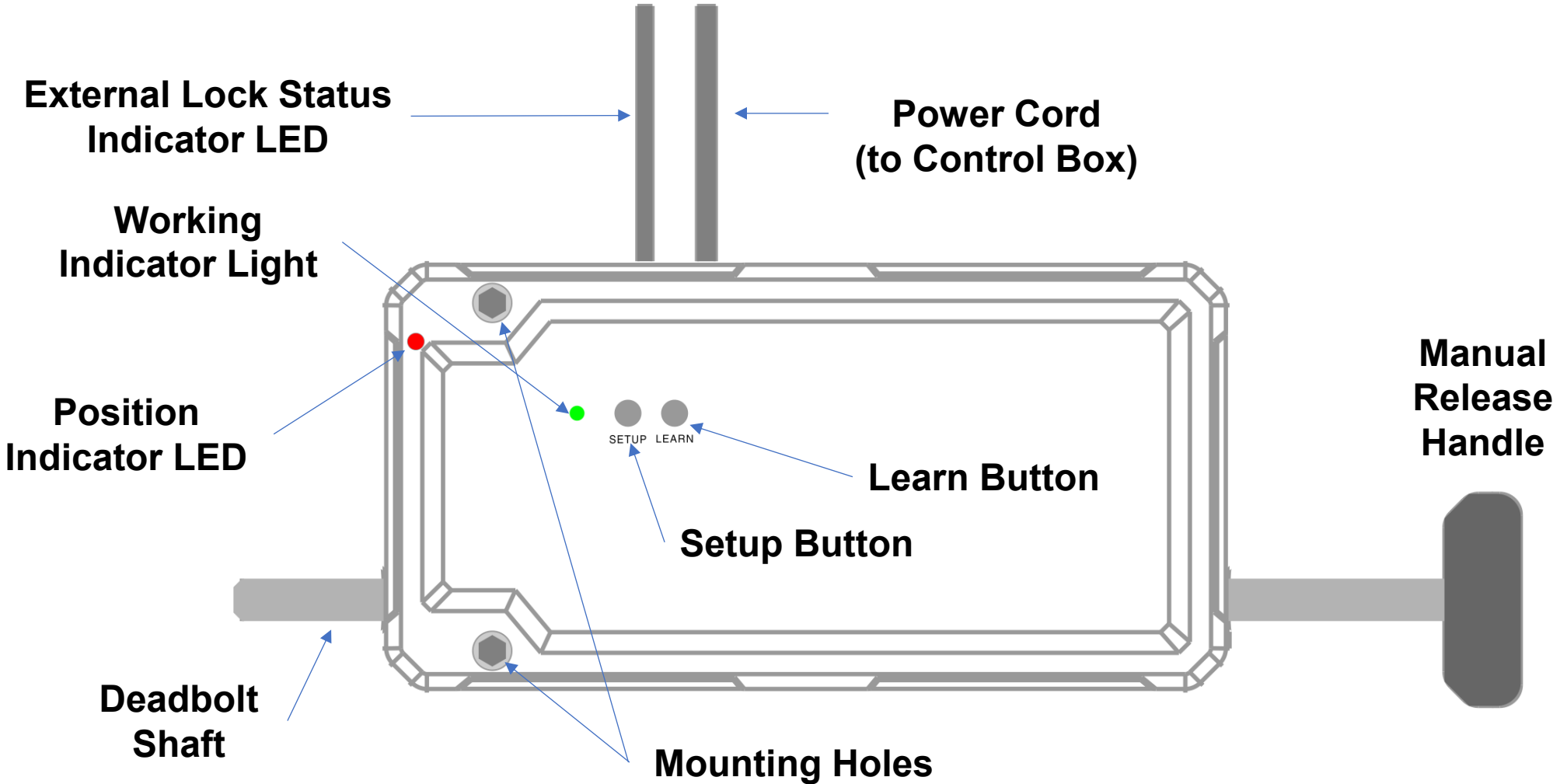
**Drill**

- Drill Bits:**
- **Philips Bit**
  - **5/16" Drill Bit**
  - **7/16" Drill Bit**
  - **1/2" Drill Bit**
  - **1/8" Drill Bit**

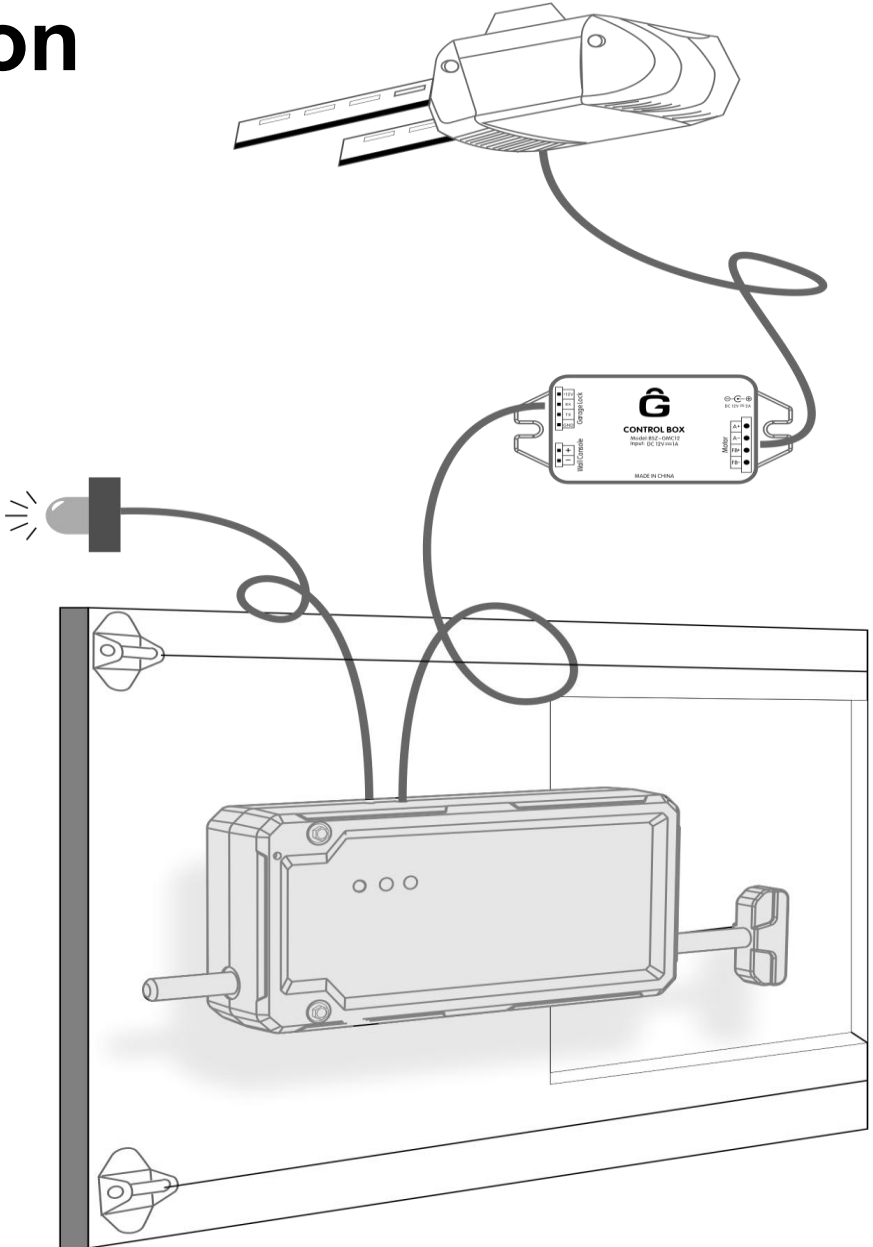
# Lock Box



# Lock Box



# Lock Box Installation



# Lock Box Installation Preparation

Step 1: Unpack the Garage Door Lock box contents taking care not to bend or kink wire cable and coil. Lay lock assembly on floor inside garage. See [Kit Components](#) for kit details. **If you require a dry contact switch (click [here](#) for more info), purchase that component before starting installation.**

Step 2: Uninstall existing keypad (located outside of the garage if you have one) and the wall console (usually located right outside the door connecting the garage and home).

Note: For **Wayne Dalton** controllers, setting the door stopping points and reverse pressure are done using the indoor wireless controller, make sure this is completed before un-learning and removing the existing wall control unit.

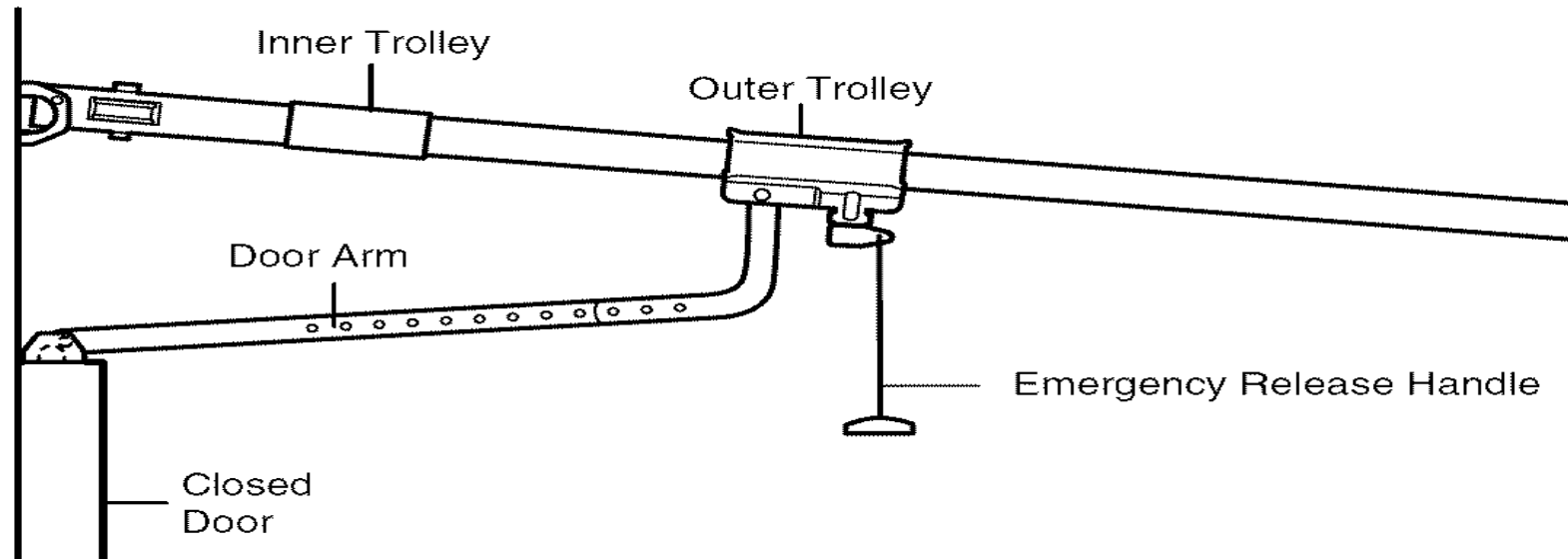
Step 3: Remove all batteries from existing remotes and store these devices away with the existing keypad and wall console. **Never use any of your existing openers or other control points such as an app once the Garage Door Lock system is installed.**

***CAUTION: YOU MUST NEVER ATTEMPT TO OPERATE THE GARAGE DOOR LOCK SYSTEM WITH YOUR OLD REMOTES, WALL CONSOLE, OR KEYPAD AS LONG AS THE LOCK BOX IS INSTALLED ON THE GARAGE DOOR. THIS ALSO APPLIES TO APPS THAT WIRELESSLY CONTROL THE GARAGE DOOR OPENER WHICH MUST BE UNINSTALLED.***

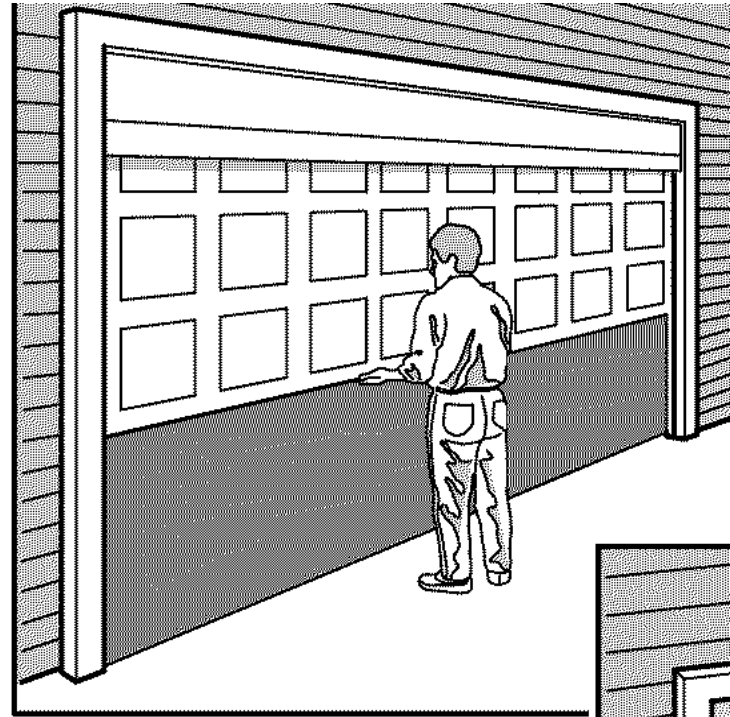
***Such attempts will jam the lock and door resulting in damage to the door or possibly the garage door opener.***

# Lock Box Installation Preparation

Step 4: With the garage door closed, unplug the garage door opener from the 120V outlet (usually on the ceiling near the unit) and pull the Emergency Release Handle. This disconnects the garage door from the garage door opener.



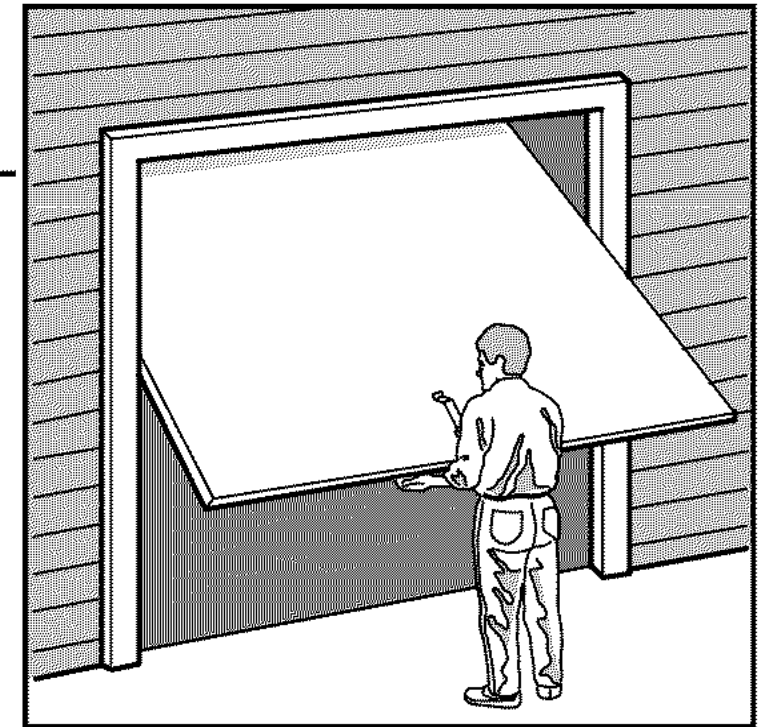
# Lock Box Installation Preparation



**Sectional Door**

Step 5: Identify which type of garage door you have... A Sectional Door with four or five panels or a One-Piece Door.

- If you have a Sectional Door, start [here](#).
- For a One-Piece Door, start [here](#).



**One-Piece Door**

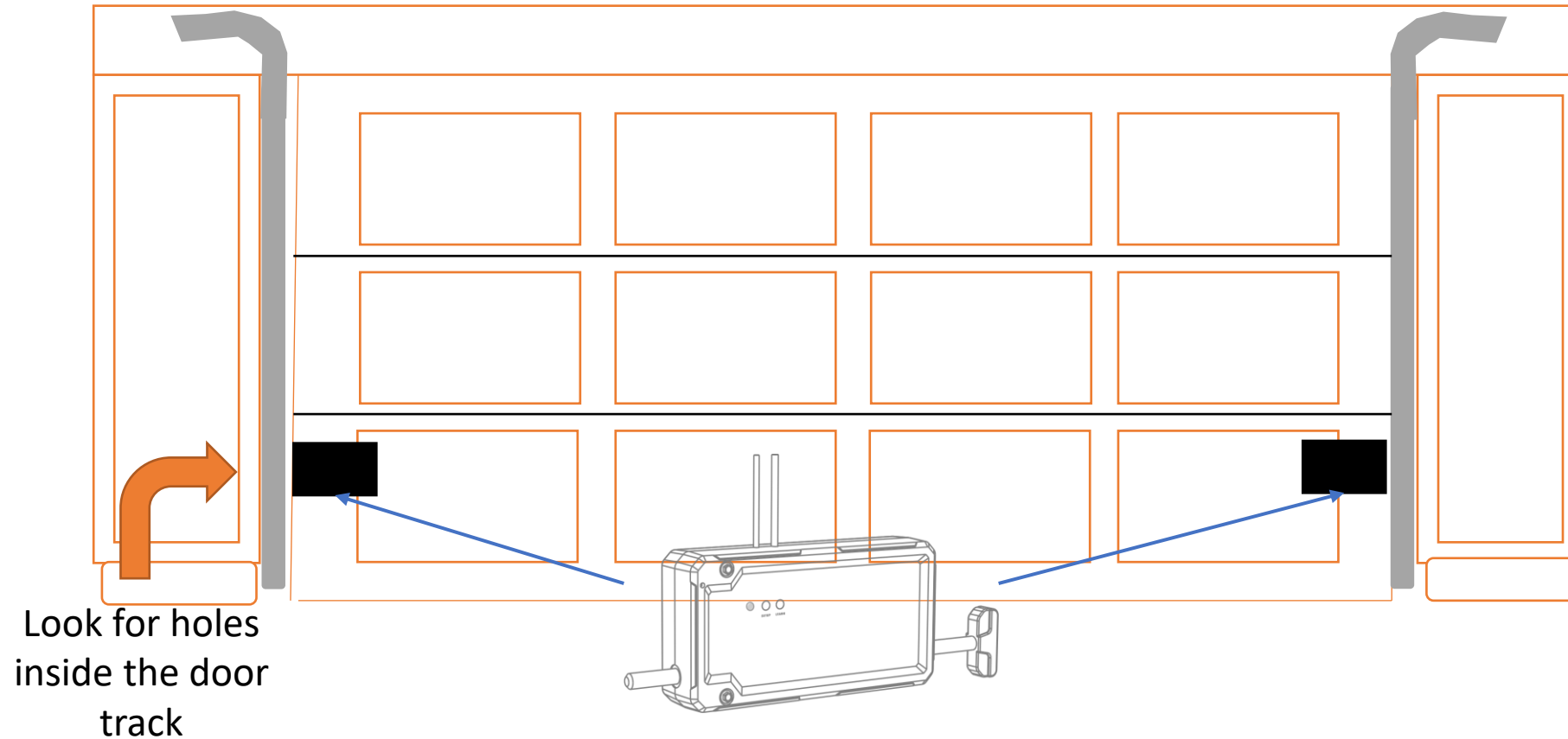
# Lock Box Installation Instructions

## Sectional Door



# Lock Box Installation – Step 1

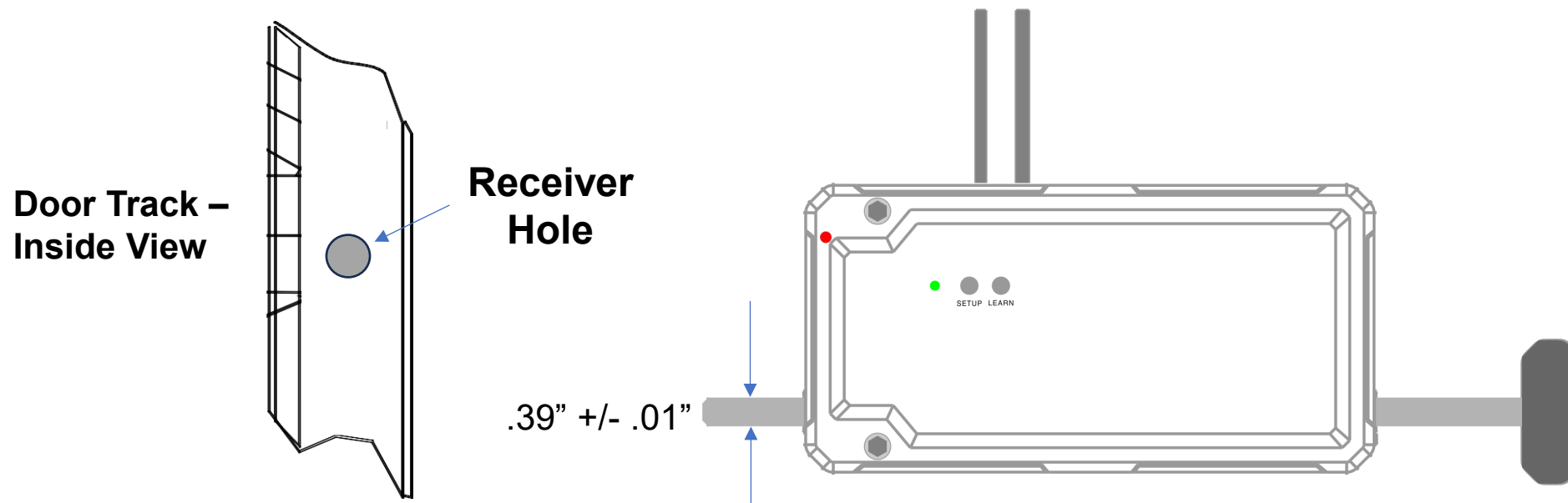
- Identify a good position to install the Lock Box. It is recommended to install on the lower left side of the garage door but can be placed on the right side (upside down) as well.
- Most tracks on Sectional-Style doors do have pre-made holes but not all and some holes may not be large enough for the deadbolt to fit. In those cases, holes will need to be cut or modified to fit.



# Lock Box Installation – Step 2

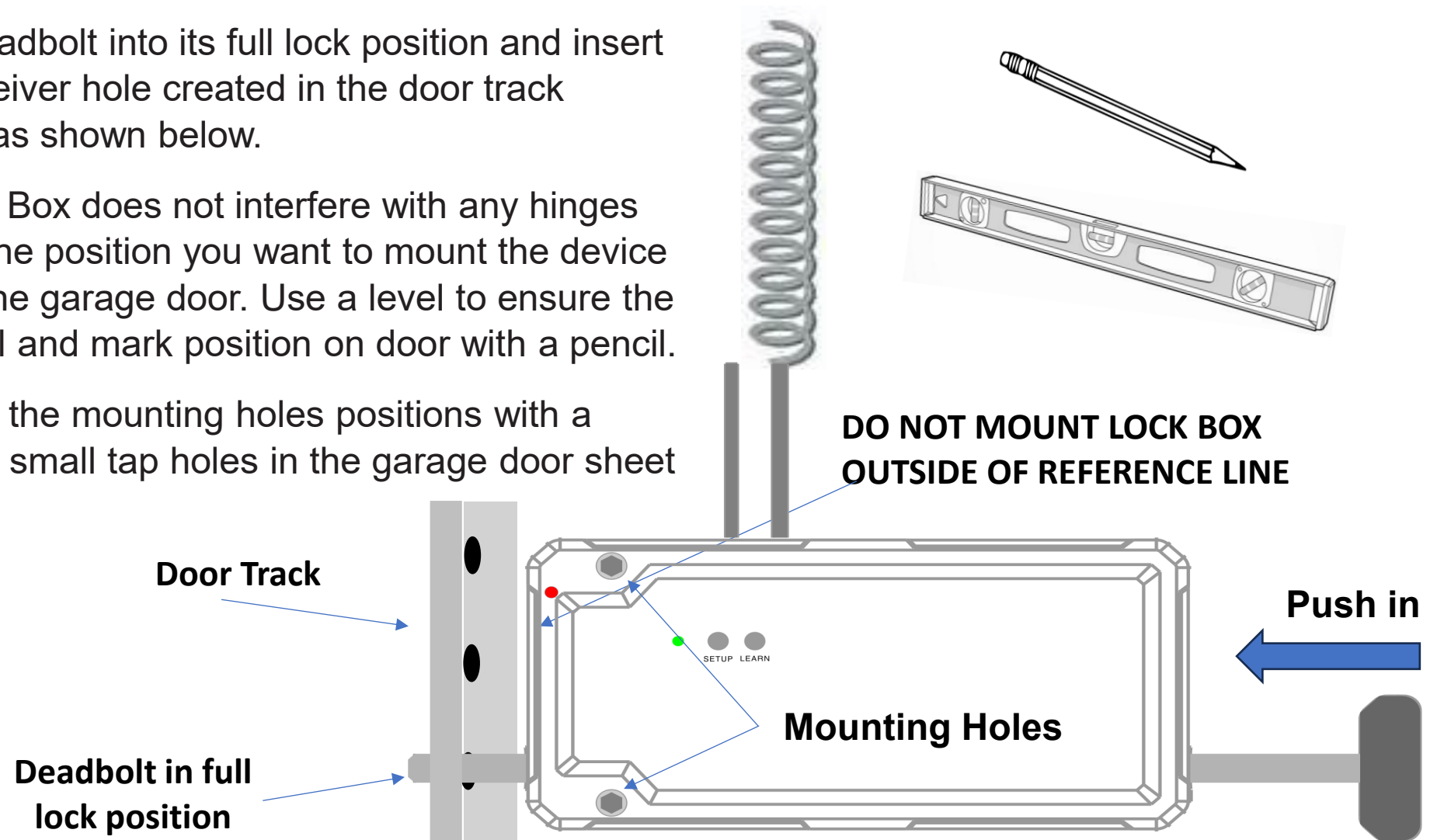
**Skip this step if you already have a usable receiver hole for the deadbolt.**

- Mark the area that you want to create the receiver hole within the door track making sure that the spot would align with the position you want to install the Lock Box. The deadbolt is .39 inches (10mm) so recommend using a 7/16" to 1/2" drill bit to widen an existing hole or create a new one.
- Manually lift the garage door open and drill the receiver hole. Once hole is complete, close the garage door and manually extend the deadbolt through the receiver hole to ensure a good fit that allows some room (should NOT be a snug fit). Be sure receiver hole is clean with no jagged edges. Use a file to clean up hole edges if required.



# Lock Box Installation – Step 3

- Manually push the deadbolt into its full lock position and insert the dead bolt into receiver hole created in the door track centering it vertically as shown below.
- Making sure the Lock Box does not interfere with any hinges or hardware, line up the position you want to mount the device close to the edge of the garage door. Use a level to ensure the Lock Box is horizontal and mark position on door with a pencil.
- Recommend marking the mounting holes positions with a pencil and pre-drilling small tap holes in the garage door sheet metal layer.



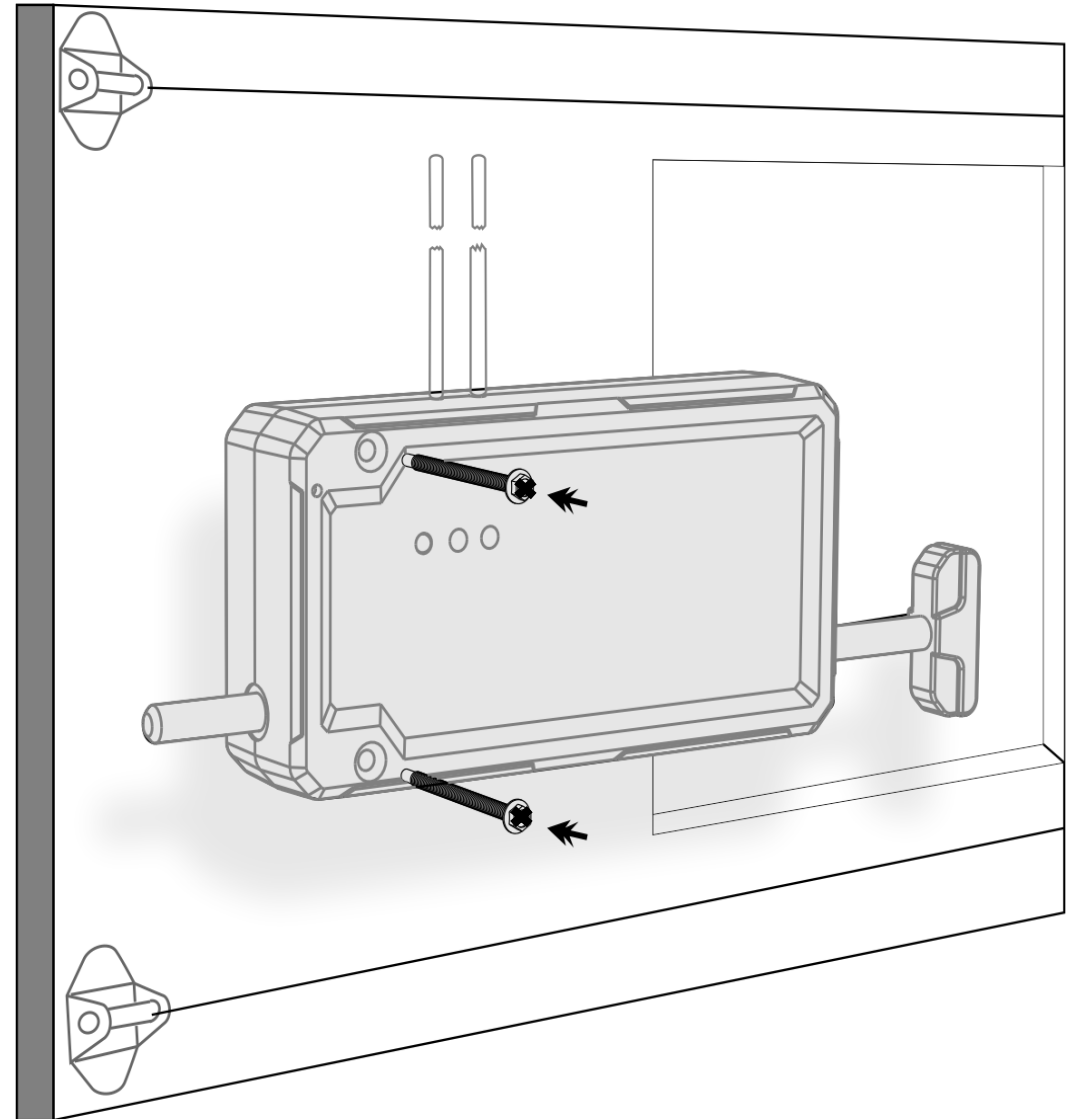
# Lock Box Installation – Step 4

- Mount the Lock Box aligning with marks made in previous steps using the 3” mount screws. Make sure the deadbolt is still centered within the receiver hole before mounting.

Note: The depth of the Lock Box is ~1.72”. Make sure there is enough space behind the Lock Box for the 3” screws (will not go through to outside of garage door). If not, recommend using 2.5” screws instead (not provided).



**3” Screw**

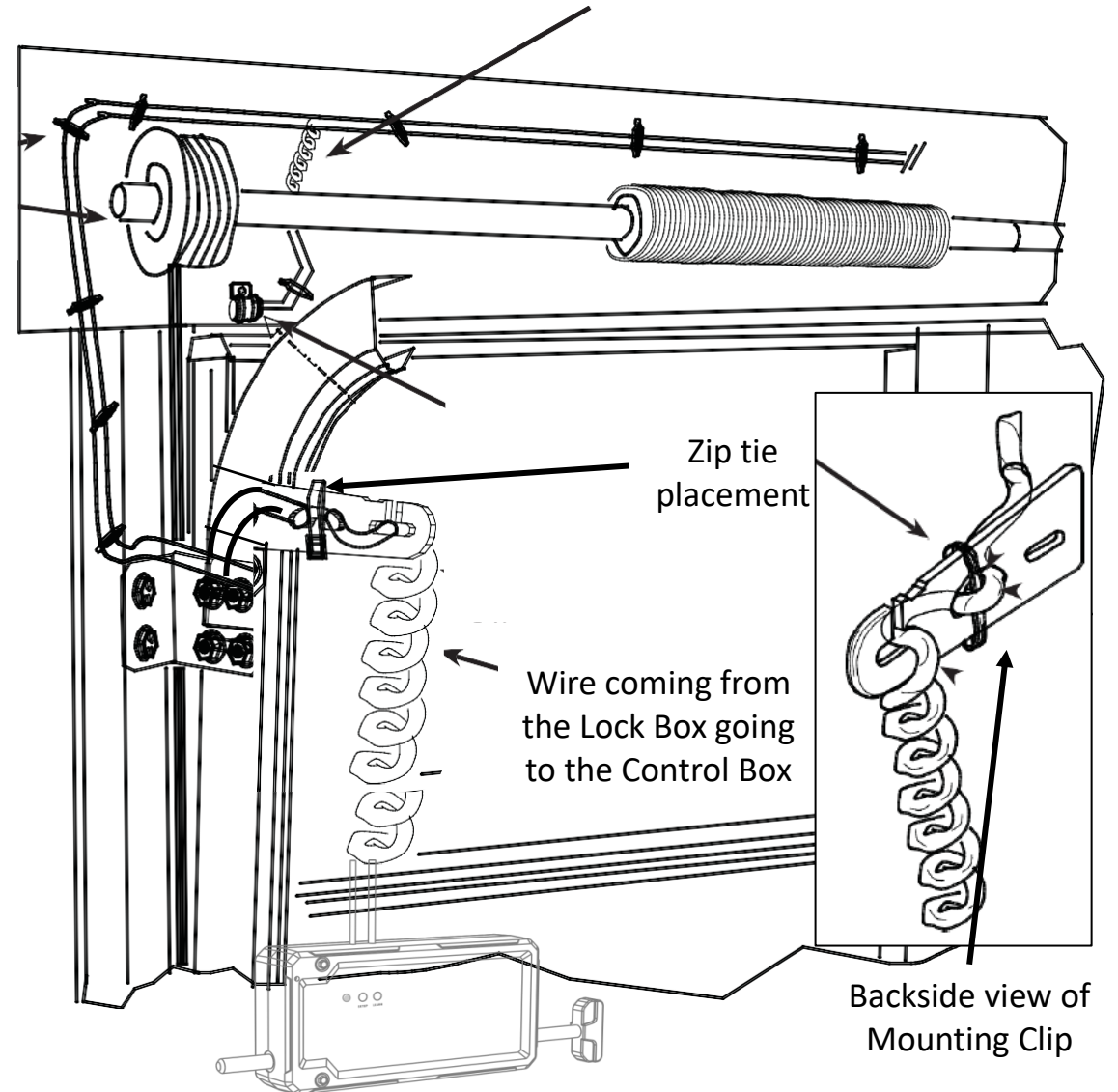


# Lock Box Installation – Step 5

- Install the Harness Clip to the door track just above the bolted door track mount near the top by clipping around the back side of the door track.
- Stretch the coiled wire coming from the Lock Box and attach the last loop at the end of the coiled section to the Harness Clip as shown in the diagram.
- Bend a U-loop in the straight part of the wire and thread through the center part of the Clip. Use a zip tie to secure the placement of the wire to the mounting clip as shown. The remaining straight harness will be mounted around the door towards the center of the garage ceiling in the next step.

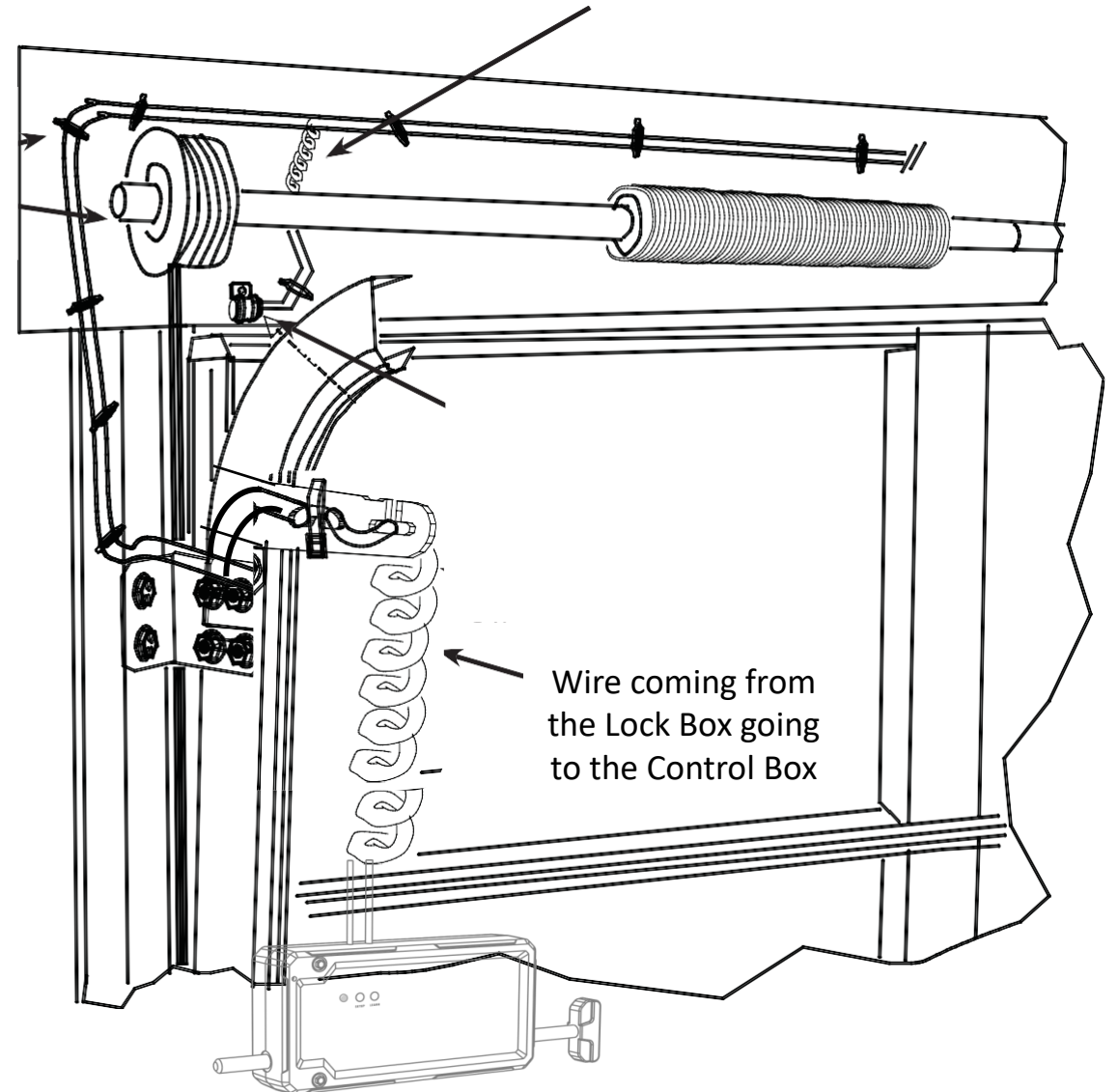


**Harness Clip**

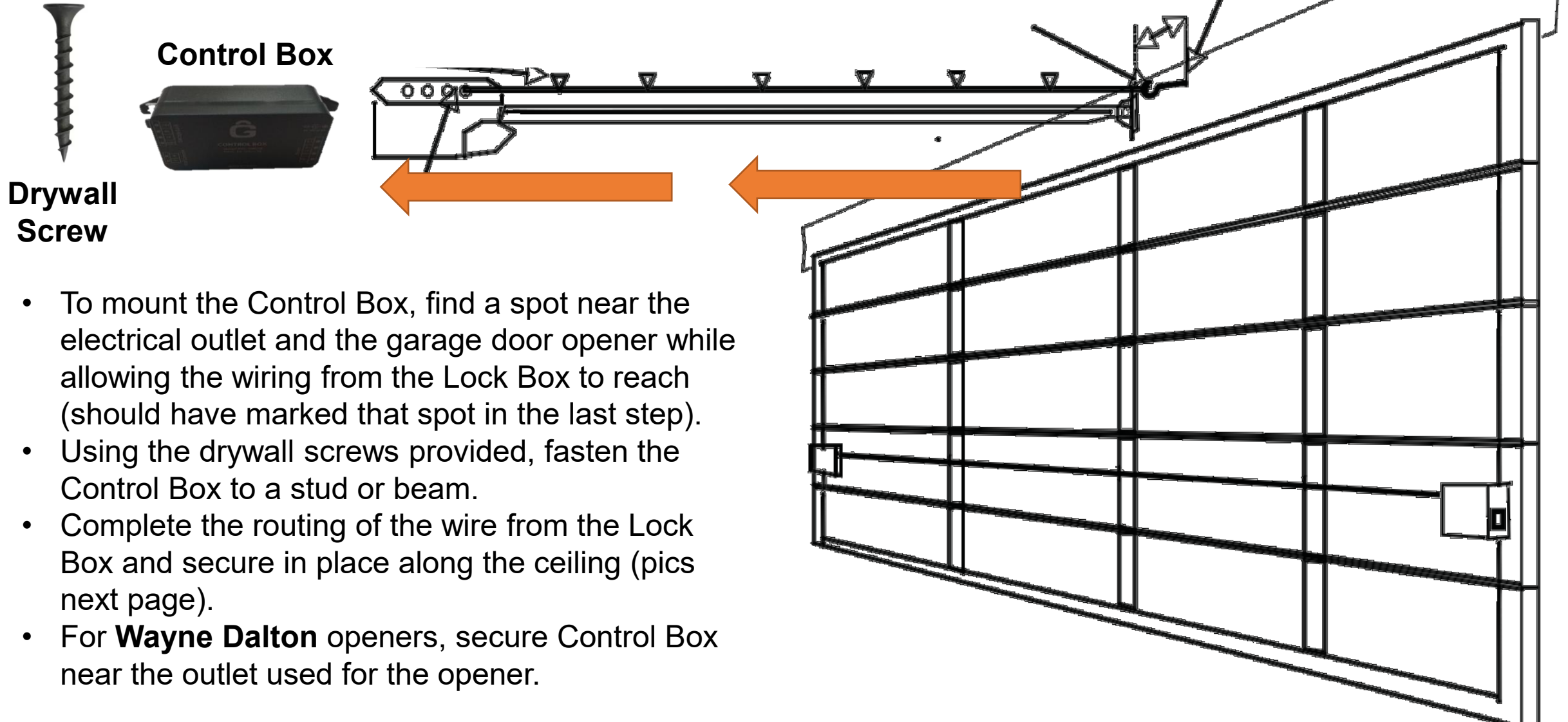


# Lock Box Installation – Step 6

- Carefully route the remaining straight part of the wire away from the Harness Clip and up the wall going around the track and drum assembly. Be sure to clear the drum and hardware while routing the wire over the shortest possible distance.
- Fasten the wire using cable clips or straps (not provided). Follow the diagram for wire routing to the top center of the garage door and stop there.
- Do not secure the rest of the wire yet but measure out how much slack is available routing towards the garage door opener along the ceiling or rafter. Mark the distance then move on to installing the Control Box (Step 7).



# Lock Box Installation – Step 7



- To mount the Control Box, find a spot near the electrical outlet and the garage door opener while allowing the wiring from the Lock Box to reach (should have marked that spot in the last step).
- Using the drywall screws provided, fasten the Control Box to a stud or beam.
- Complete the routing of the wire from the Lock Box and secure in place along the ceiling (pics next page).
- For **Wayne Dalton** openers, secure Control Box near the outlet used for the opener.

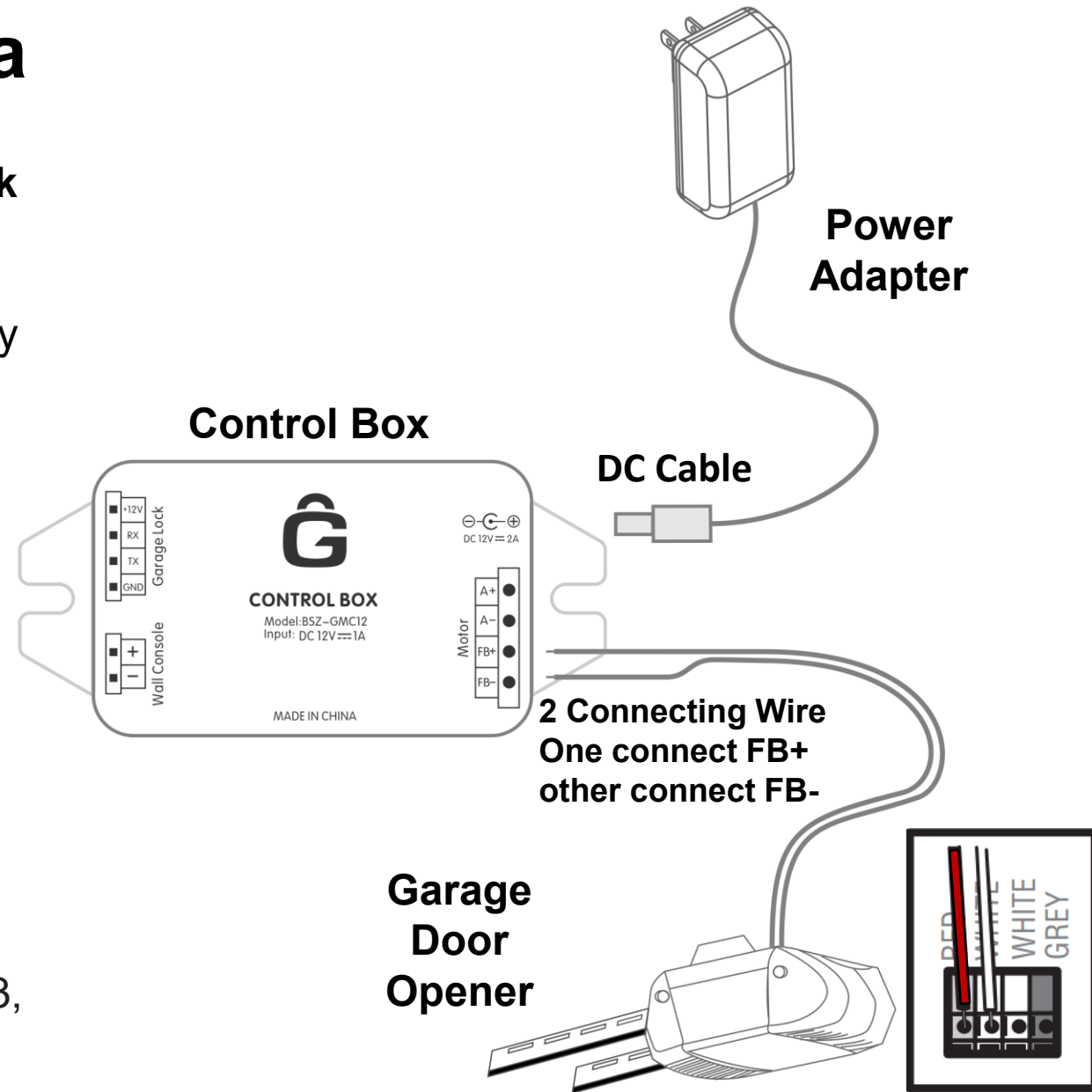
# Lock Box Installation – Step 7 (Continue)



# Lock Box Installation – Step 8a

If you do NOT require a Dry Contact Switch - meaning your garage door opener was built before ~2011 (check with manufacturer to be sure), follow these instructions:

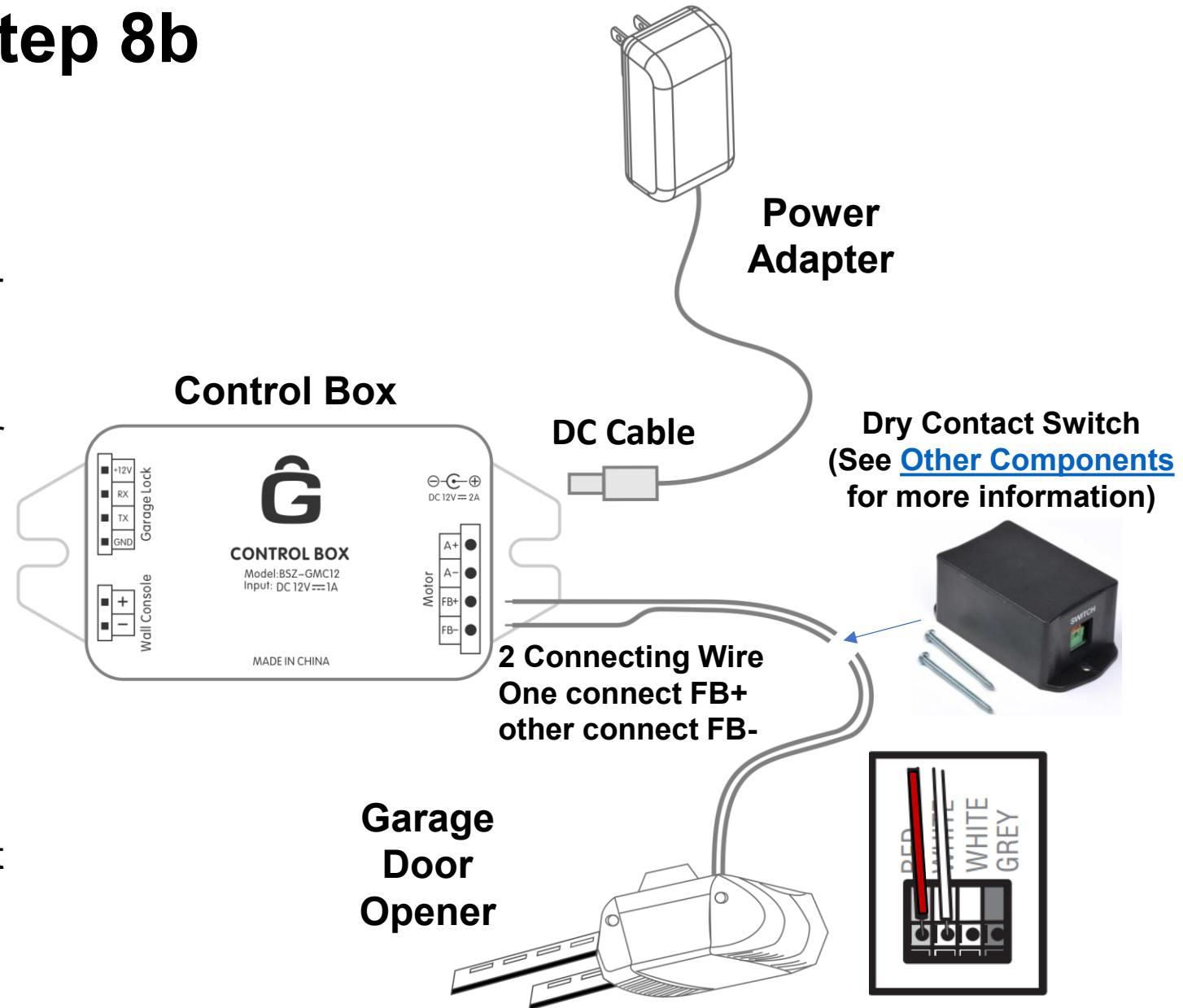
- Plug the 4-pin Connector and the Power Adapter directly into the Control Box. Do NOT plug the Power Adapter into the Outlet yet.
- Connect the garage door opener to the Control Box using the red/white bell wire provided:
  - Use wire strippers to expose the wire (7/16" recommended) at both ends of the wire.
  - Insert one end of the red wire to FB+ and the white to FB- on the Control Box.
  - Connect the other end to the garage door opener (red wire to red terminal and white wire to white terminal).
- For **Wayne Dalton** door openers:
  - For models with terminal blocks numbered 1, 2, & 3, always use terminals 1 and 3.
  - For others with two terminals, use both.



# Lock Box Installation – Step 8b

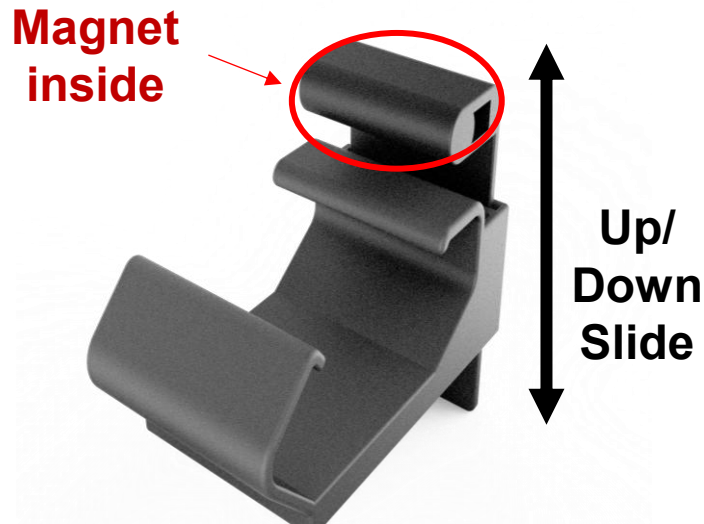
If you DO require a Dry Contact Switch and have purchased it:

- Plug the 4-pin Connector and the Power Adapter directly into the Control Box. Do NOT plug the Power Adapter into the Outlet yet.
- The Dry Contact Switch connects serially between the Control Box and the garage door opener. Install as follows:
  - Connect the Dry Contact Switch to the Control Box. Should not matter which end of the switch goes to which device.
    - Use wire strippers to expose the wire (~7/16" recommended). Connect red wire to FB+ and the white to FB-.
  - Connect the other end of the Dry Contact Switch to the garage door opener (red to red terminal and white to white terminal).



# Lock Box Installation – Step 9

- Insert the Magnet Piece into the side of the Clip as shown. Once inserted, the Magnet piece will be able to incrementally slide up and down when pushed. These pieces are designed to clip onto the door track.
- Align the Clip with Magnet Piece inserted such that when on its side, the top of the Clip+Magnet are ~0.5 inches down from the top of the Lock Box. Mark this spot along the door track.
- Remove the Magnet Piece from the Clip and install the Clip on the outside of the door track as shown. Be sure the side of the Clip that the Magnet slides into is facing away from the wall towards you. Also, make sure the Clip and the Lock Box are aligned properly (see next page).



**Clip with Magnet  
Piece inserted**



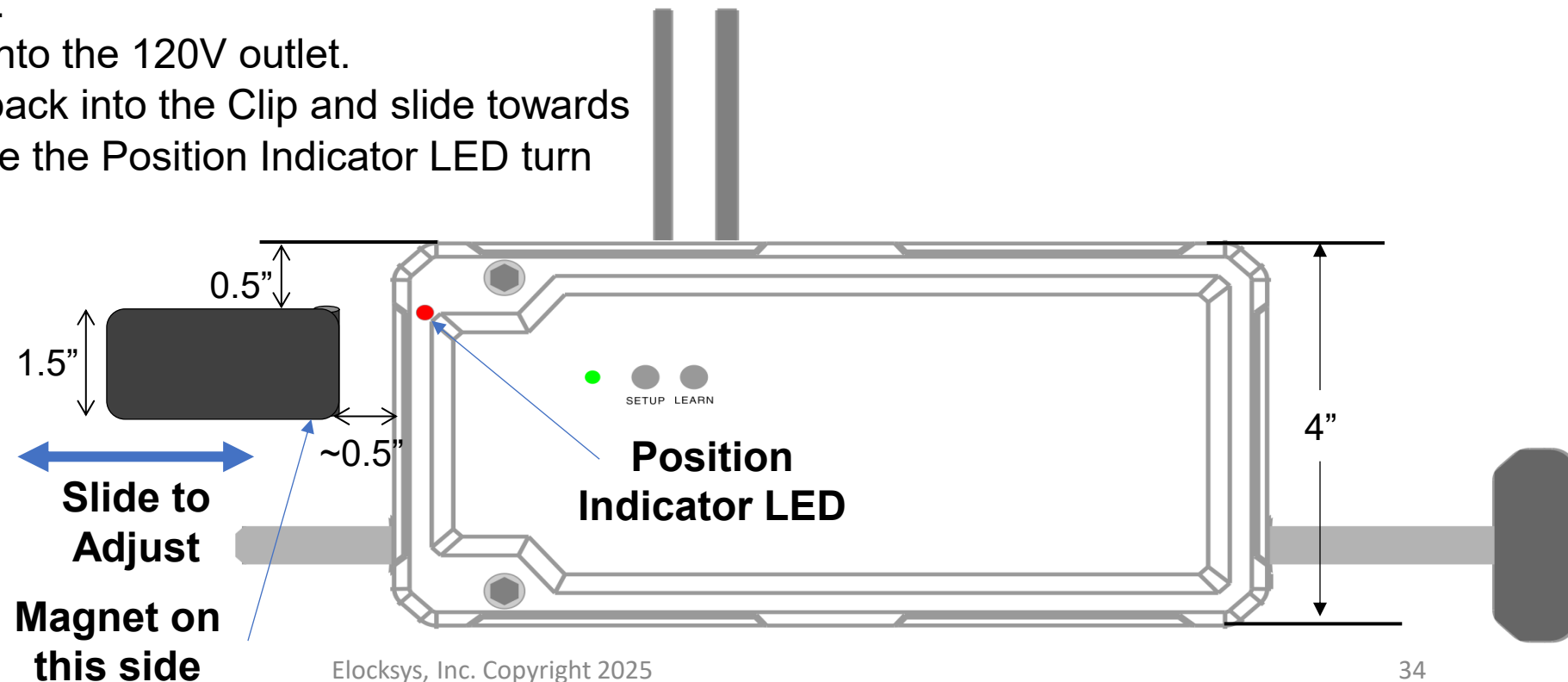
# Lock Box Installation – Step 9 (Continue)

The Garage Door Lock system is equipped with a safety feature that tells the Lock Box when the garage door is in the closed position and thus safe to engage the deadbolt. This feature is enabled when the Lock Box is in close enough proximity to the magnet causing the Position Indicator LED to light up when the magnet is in the correct position. **It is important to align the Magnet Piece with the Lock Box as below such that this feature is engaged. Otherwise, the locking mechanism will not work.**

To do so, follow these steps:

- Plug the Power Adaptor into the 120V outlet.
- Place the Magnet piece back into the Clip and slide towards the Lock Box until you see the Position Indicator LED turn on (~0.5" gap).

**Adjust the position of the Clip on the door track (up/down) as needed to get proper alignment (see next page for pics).**



# Lock Box Installation – Step 9 (Continue)

Additional pictures from install:



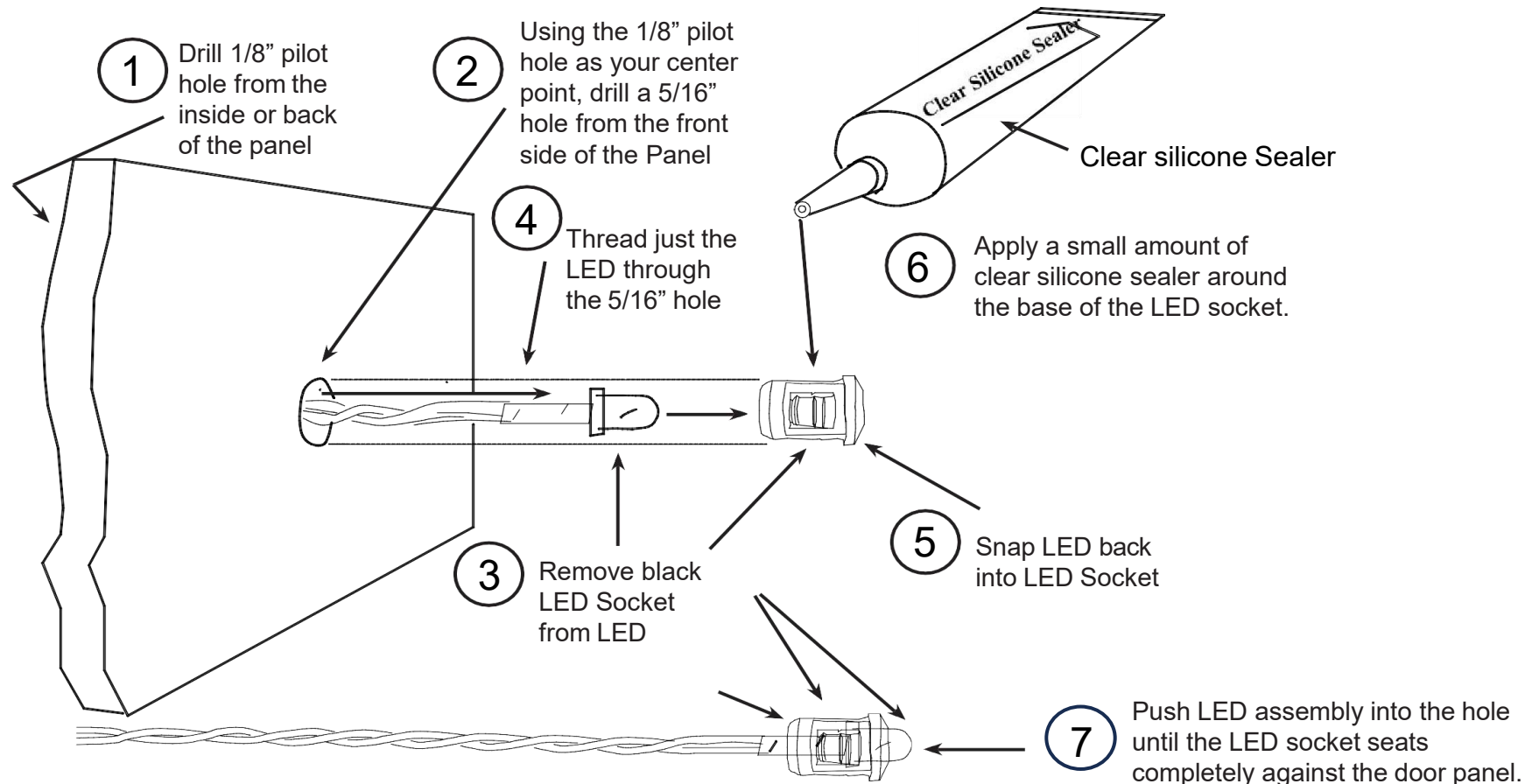
**Front View**



**Top View**

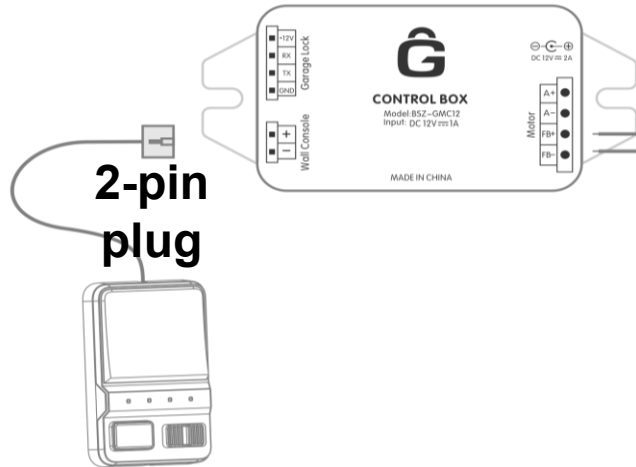
# Lock Box Installation – Step 10 (Optional)

Installing the External Lock Status Indicator LED is optional as some homeowners may not want to drill a hole in the garage door itself. But if you opt to, find the position you want to install by marking inside the garage door then follow the steps below. Recommend installing high enough to be seen from the vehicle over the hood of the car when parked in the driveway.



# Lock Box Installation – Step 11

At this point, you can safely plug in the garage door opener and reconnect the garage door to the rail (at the safety handle). Test the system using the Wall Console provided to ensure the Lock Box and garage door opener are working together as expected before going on to the next sections (installing the Wall Console and Keypad). Just plug the Wall Console 2-pin connector into the Control Box (no need to properly install first) and press the button to test the opening/closing functions are working.



Note: The wireless devices (Remote and Keypad) will be disabled until the Wall Console has been plugged in.

**Caution: Never attempt to open the garage door with any other remotes, consoles, keypads, or apps other than the ones that are part of the Garage Door Lock system.**

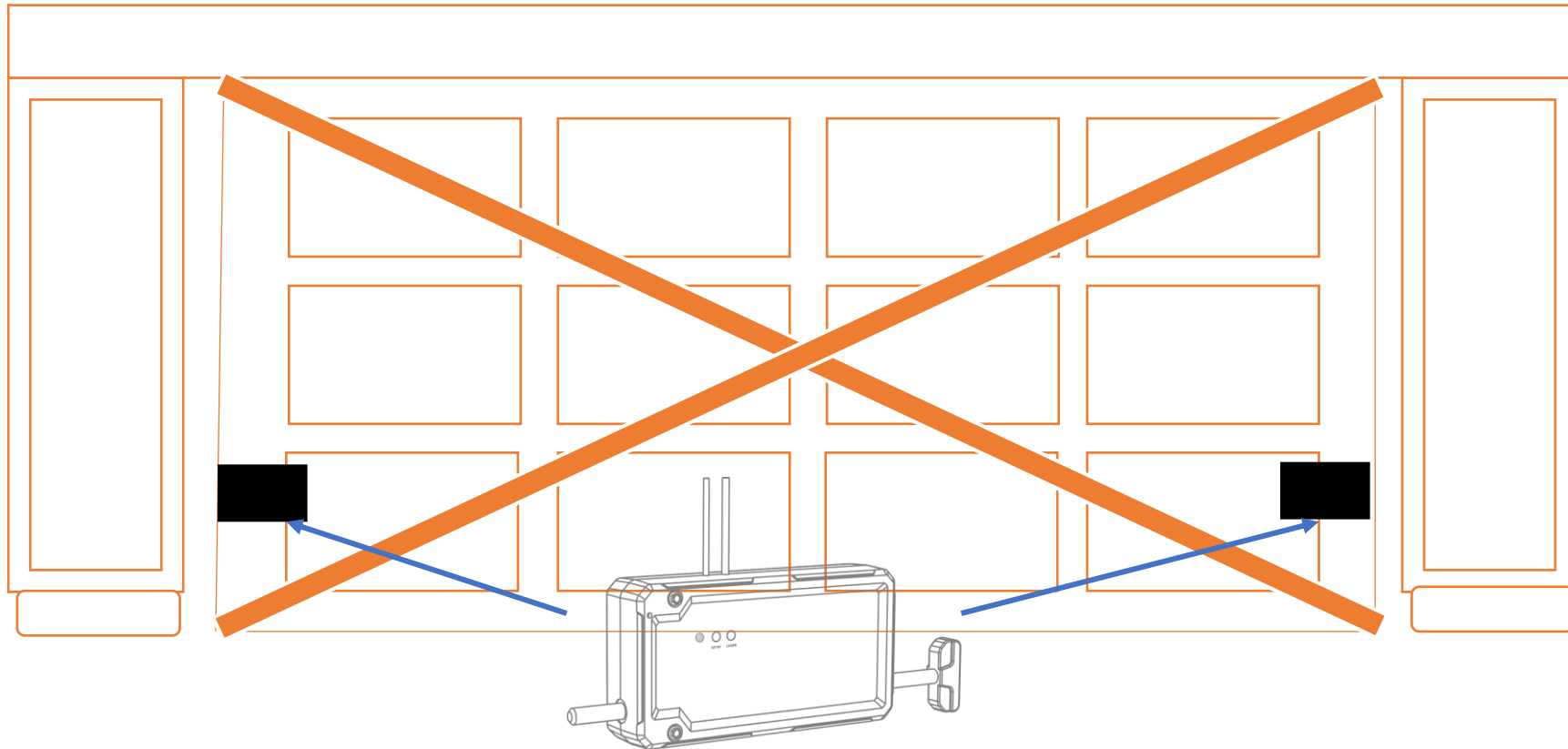
# Lock Box Installation Instructions

## One-Piece Door



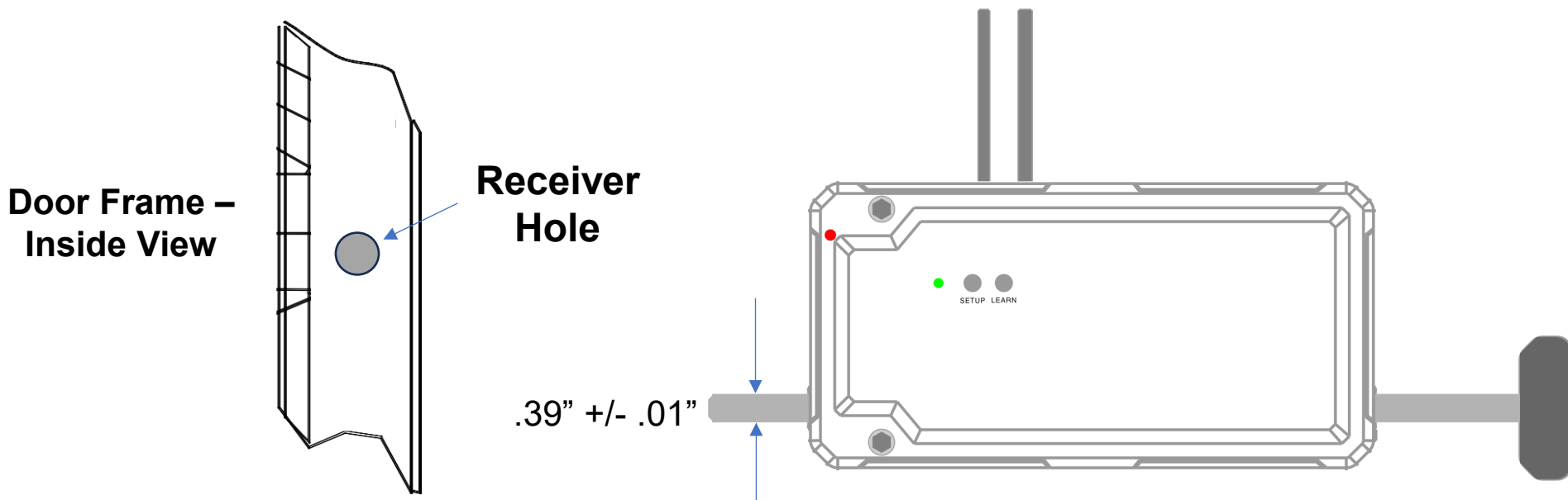
# Lock Box Installation – Step 1

- Identify a good position to install the Lock Box. It is recommended to install on the lower left side of the garage door but can be placed on the right side (upside down) as well.
- One-piece doors do not have door tracks so a hole will need to be made in the garage door wood frame to accommodate the deadbolt. Placing the device lower towards the floor will help make any holes drilled less visible.



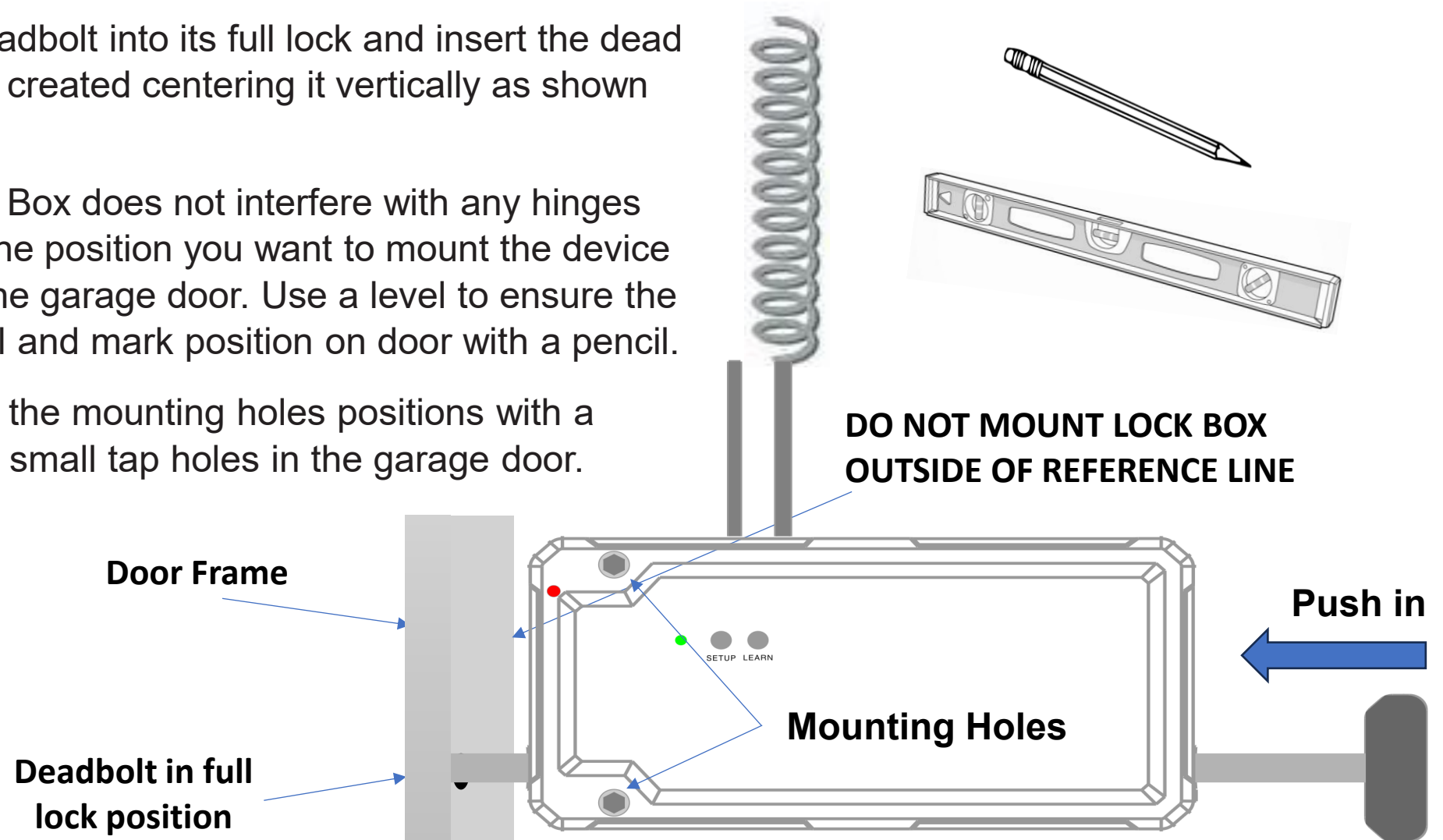
# Lock Box Installation – Step 2

- Mark the area that you want to create the receiver hole within the door frame making sure that the spot would align with the position you want to install the Lock Box. The deadbolt is .39 inches (10mm) so recommend using a 7/16” to 1/2” drill bit to widen an existing hole or create a new one.
- Manually lift the garage door open and drill the receiver hole. Once hole is complete, close the garage door and manually extend the deadbolt through the receiver hole to ensure a good fit that allows some room (should NOT be a snug fit). Be sure receiver hole is clean with no jagged edges. Use a file to clean up hole edges if required.



# Lock Box Installation – Step 3

- Manually push the deadbolt into its full lock and insert the dead bolt into receiver hole created centering it vertically as shown below.
- Making sure the Lock Box does not interfere with any hinges or hardware, line up the position you want to mount the device close to the edge of the garage door. Use a level to ensure the Lock Box is horizontal and mark position on door with a pencil.
- Recommend marking the mounting holes positions with a pencil and pre-drilling small tap holes in the garage door.



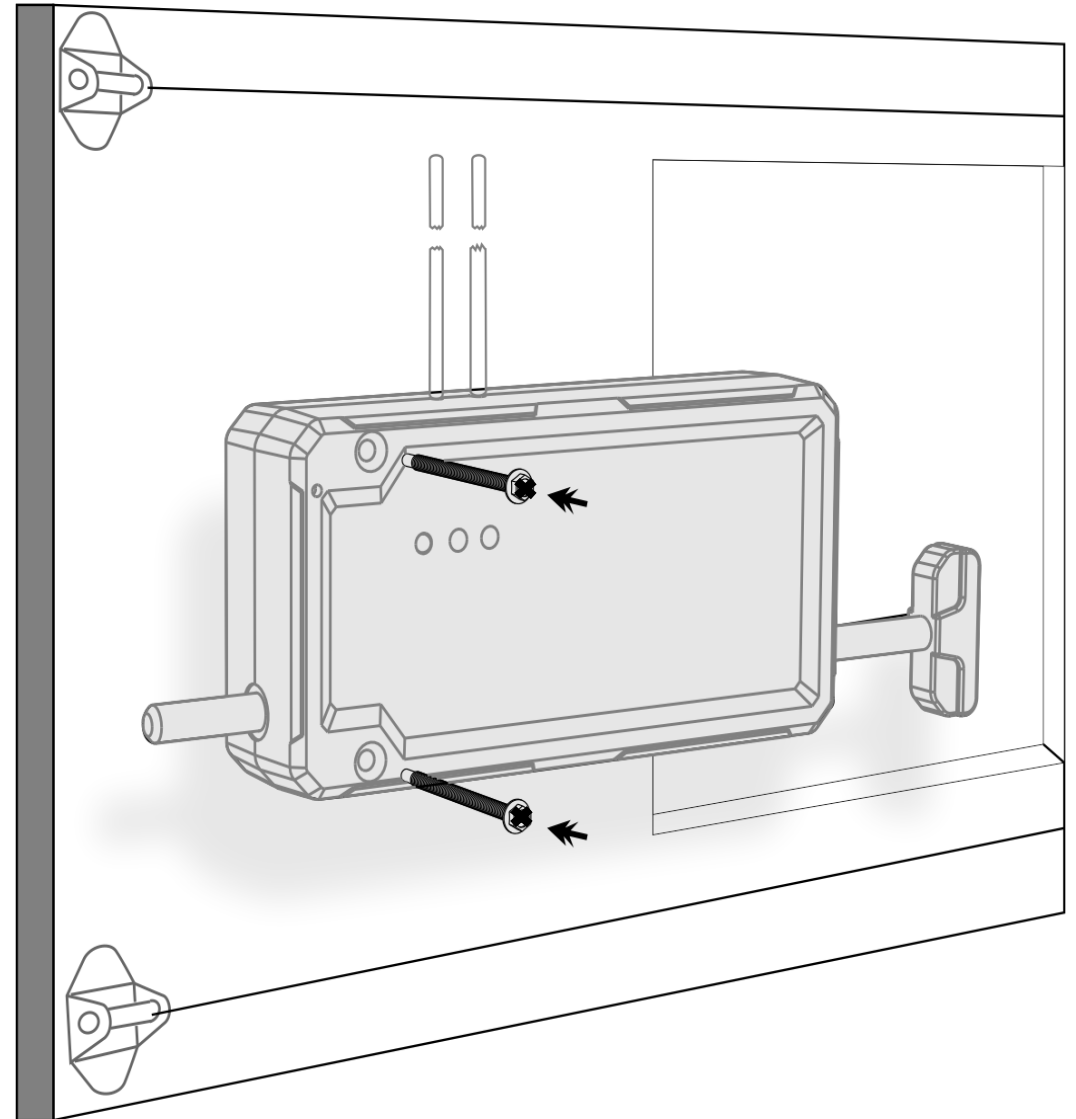
# Lock Box Installation – Step 4

- Mount the Lock Box aligning with marks made in previous steps using the 3” mount screws. Make sure the deadbolt is still centered within the receiver hole before mounting.

Note: The depth of the Lock Box is ~1.72”. Make sure there is enough space behind the Lock Box for the 3” screws (will not go through to outside of garage door). If not, recommend using 2.5” screws instead (not provided).

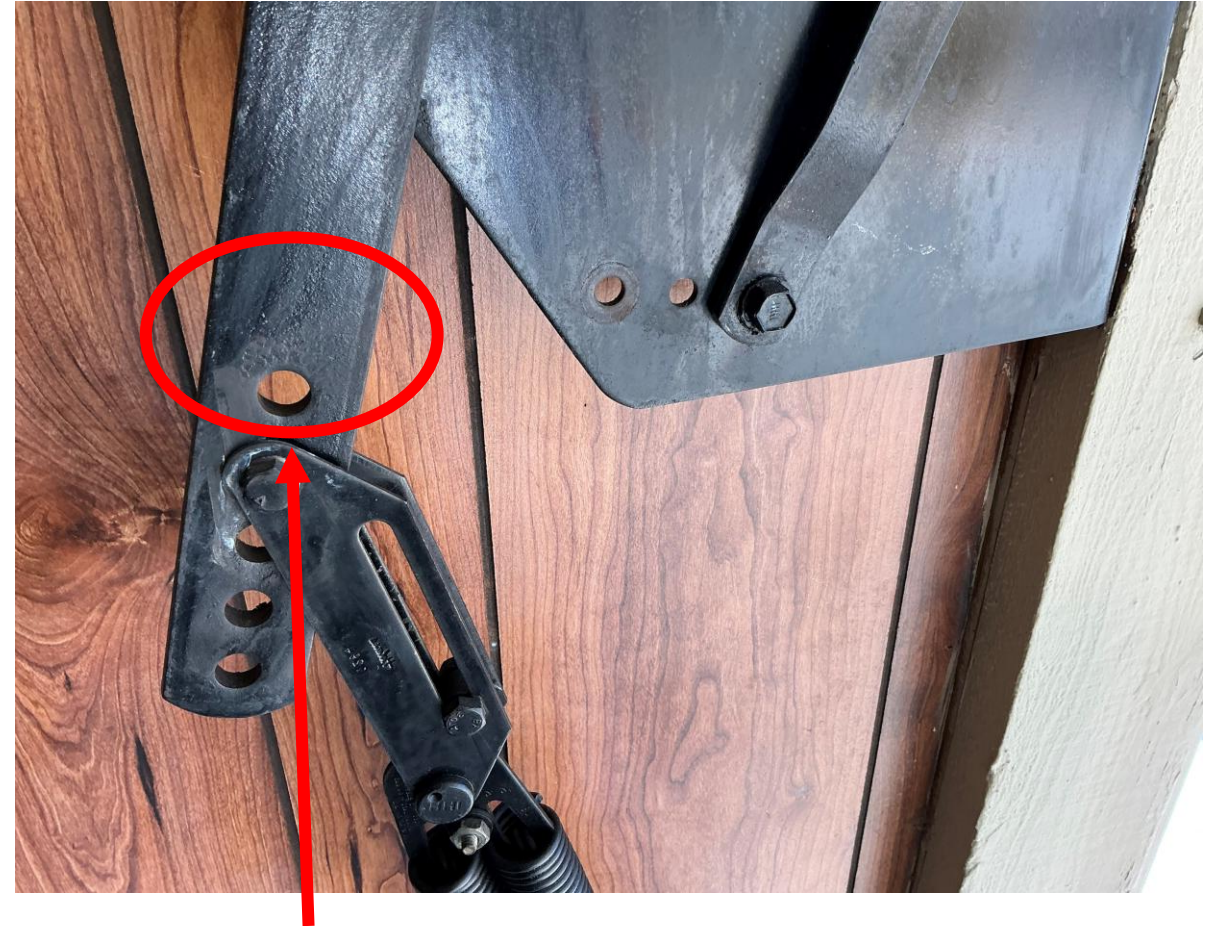


**3” Screw**



# Lock Box Installation – Step 5

- Attach the end of the coiled harness to the straight part of the garage door hinge assembly above the connection to the spring using a zip tie. Alternatively, connect a support piece of metal to the straight metal piece and zip tie to that support allowing the straight part of the harness to route away from the assembly and towards the wall as shown.



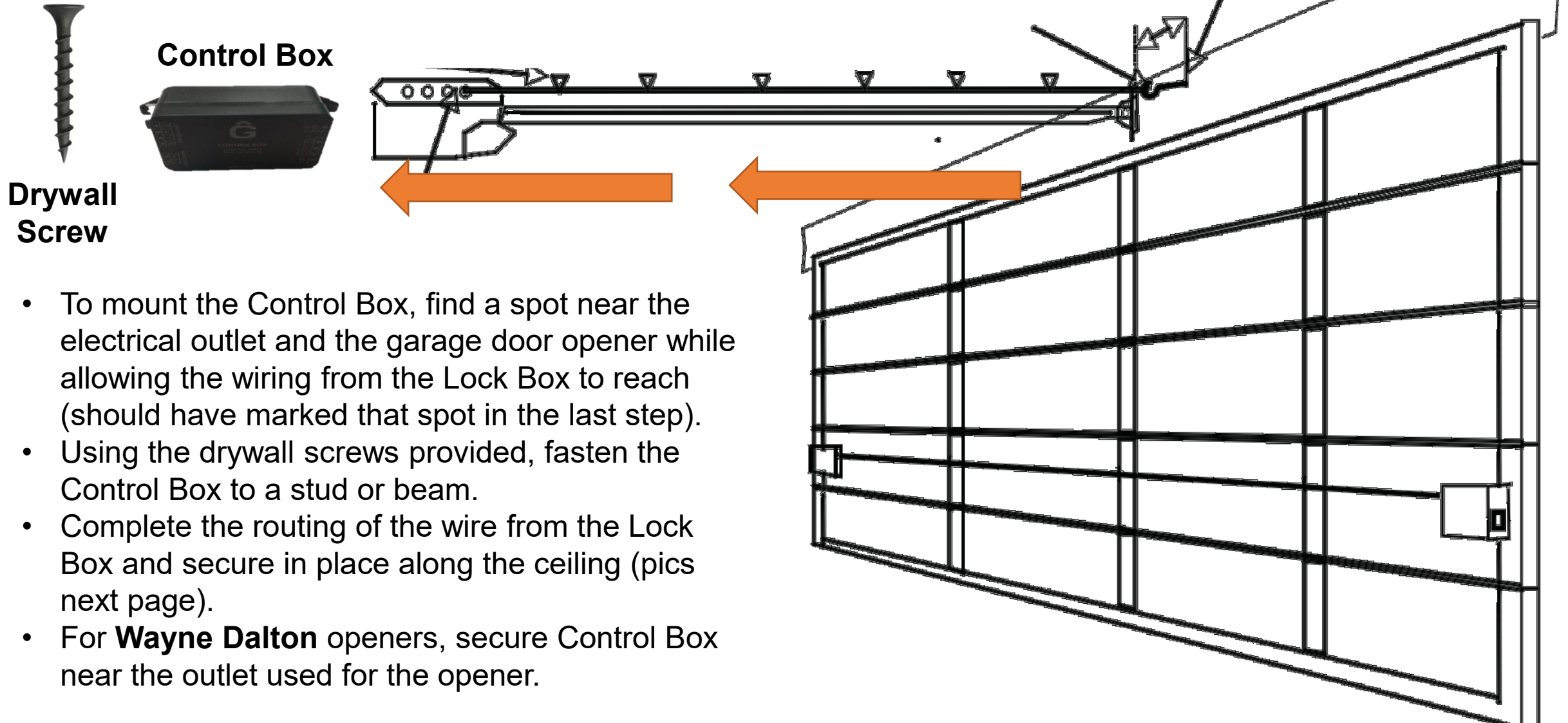
**Connection  
Area**

# Lock Box Installation – Step 6

- Carefully route the remaining straight part of the wire away from the garage door and up the wall going around the track and drum assembly. Be sure to clear any hardware while routing the wire over the shortest possible distance while providing enough slack for normal door opening and closing.
- Fasten the wire using cable clips or straps (not provided). Follow the routing as shown to the top center of the garage door (near the rail) and stop there.
- Do not secure the rest of the wire yet but measure out how much slack is available routing towards the garage door opener. Mark the distance then move on to installing the Control Box (Step 7).



# Lock Box Installation – Step 7



- To mount the Control Box, find a spot near the electrical outlet and the garage door opener while allowing the wiring from the Lock Box to reach (should have marked that spot in the last step).
- Using the drywall screws provided, fasten the Control Box to a stud or beam.
- Complete the routing of the wire from the Lock Box and secure in place along the ceiling (pics next page).
- For **Wayne Dalton** openers, secure Control Box near the outlet used for the opener.

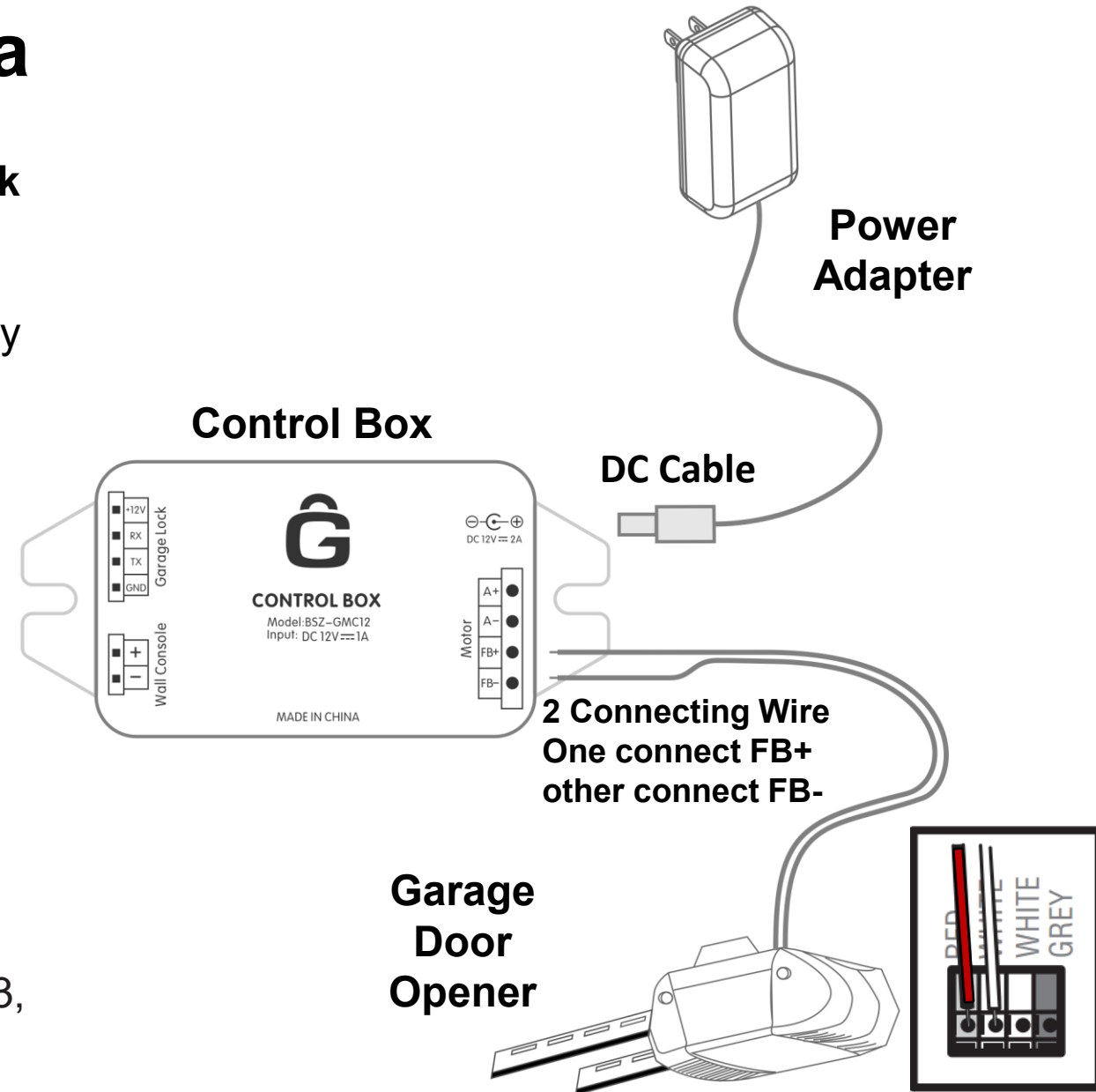
# Lock Box Installation – Step 7 (Continue)



# Lock Box Installation – Step 8a

If you do NOT require a Dry Contact Switch - meaning your garage door opener was built before ~2011 (check with manufacturer to be sure), follow these instructions:

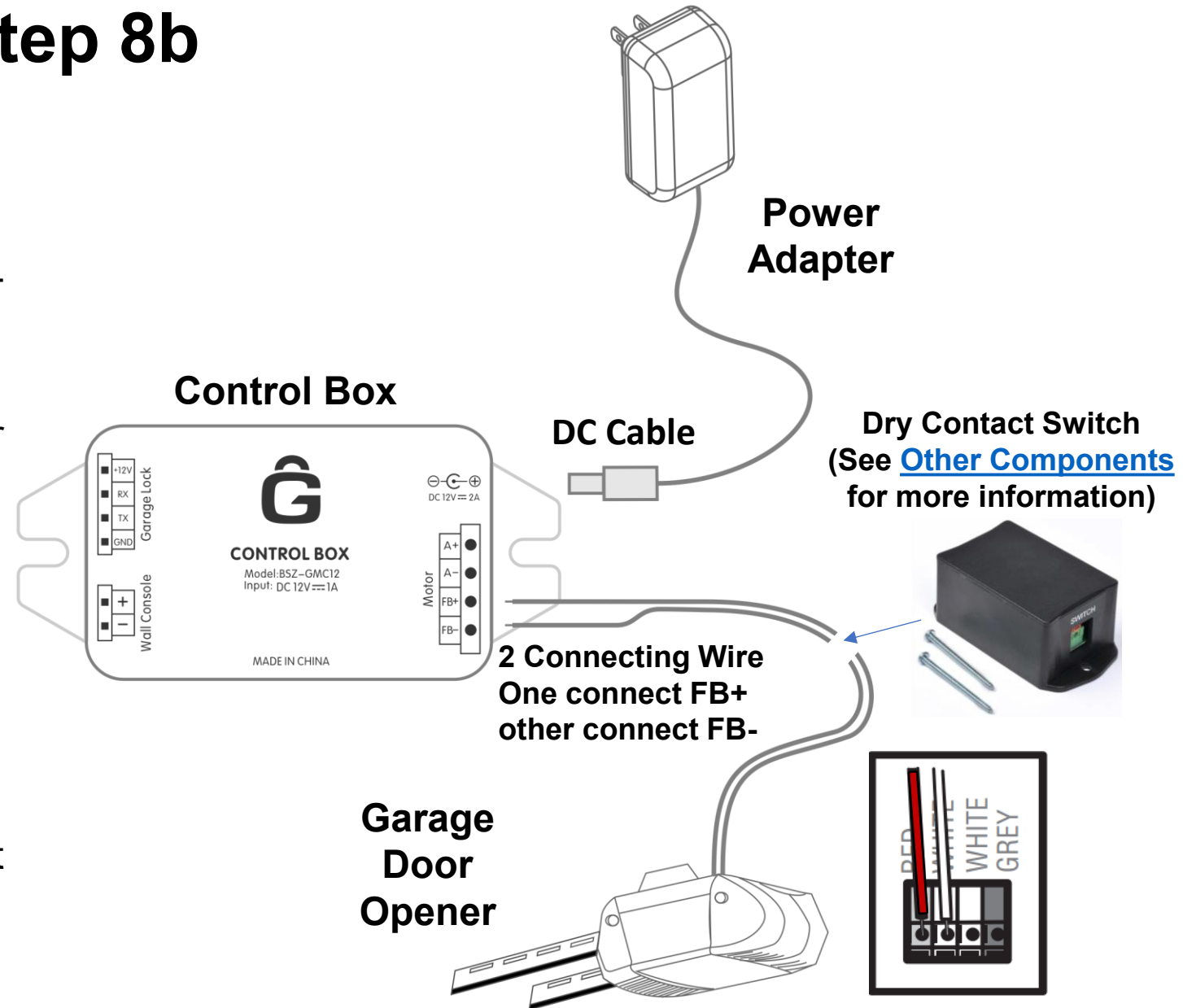
- Plug the 4-pin Connector and the Power Adapter directly into the Control Box. Do NOT plug the Power Adapter into the Outlet yet.
- Connect the garage door opener to the Control Box using the red/white bell wire provided:
  - Use wire strippers to expose the wire (7/16” recommended) at both ends of the wire.
  - Insert one end of the red wire to FB+ and the white to FB- on the Control Box.
  - Connect the other end to the garage door opener (red wire to red terminal and white wire to white terminal).
- For **Wayne Dalton** door openers:
  - For models with terminal blocks numbered 1, 2, & 3, always use terminals 1 and 3.
  - For others with two terminals, use both.



# Lock Box Installation – Step 8b

If you DO require a Dry Contact Switch and have purchased it:

- Plug the 4-pin Connector and the Power Adapter directly into the Control Box. Do NOT plug the Power Adapter into the Outlet yet.
- The Dry Contact Switch connects serially between the Control Box and the garage door opener. Install as follows:
  - Connect the Dry Contact Switch to the Control Box. Should not matter which end of the switch goes to which device.
    - Use wire strippers to expose the wire (~7/16" recommended). Connect red wire to FB+ and the white to FB-.
  - Connect the other end of the Dry Contact Switch to the garage door opener (red to red terminal and white to white terminal).

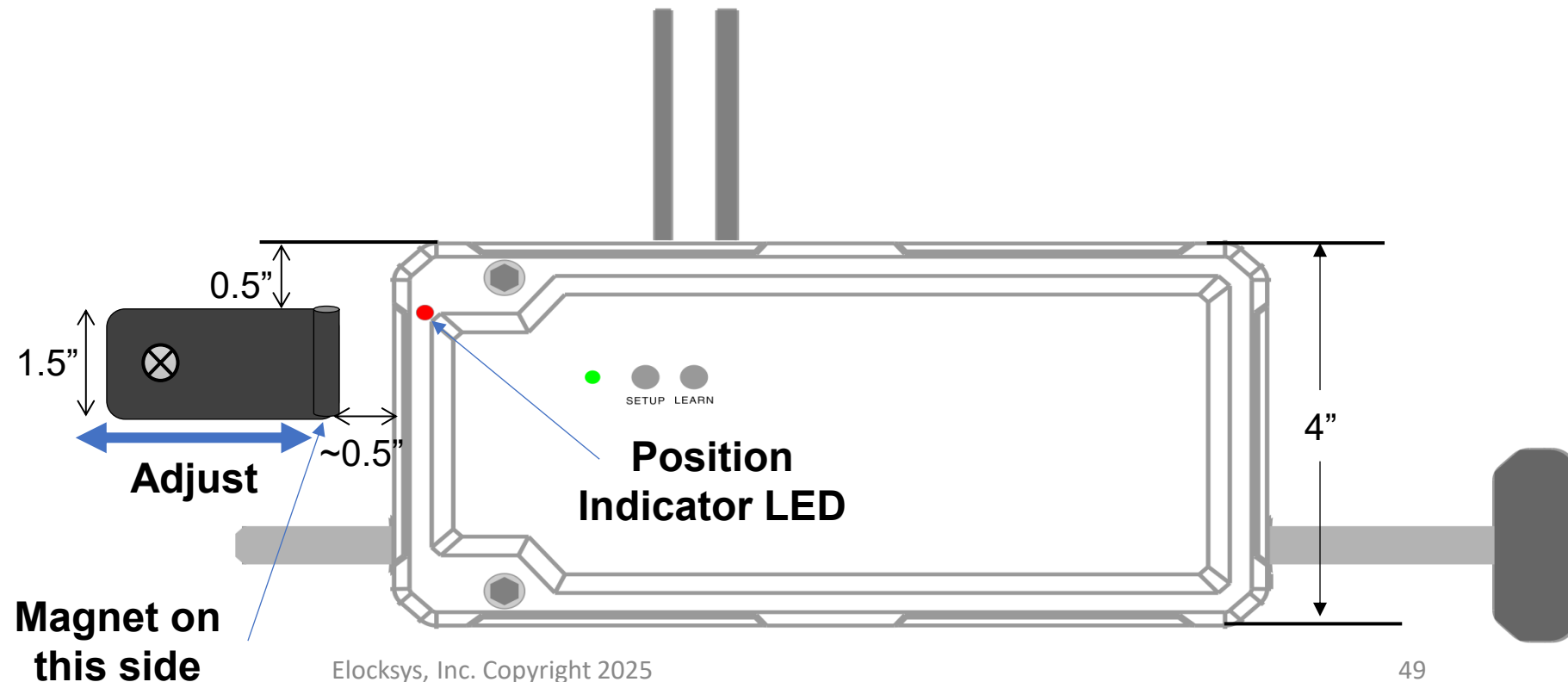


# Lock Box Installation – Step 9 (Continue)

The Garage Door Lock system is equipped with a safety feature that tells the Lock Box when the garage door is in the closed position and thus safe to engage the deadbolt. This feature is enabled when in close enough proximity to the magnet and the Position Indicator LED will light up when the magnet is in the correct position. **It is important to align the Magnet Piece with the Lock Box as below such that this feature is engaged. Otherwise, the locking mechanism will not work.**

To do so, follow these steps:

- Plug the Power Adaptor into the 120V outlet.
- Align the magnet with the Lock Box until you see the Position Indicator LED turn on (~0.5" gap).
- Mark that position and drill a small hole through the plastic part of the Magnet Piece and into the frame.
- Secure in place with a screw (not provided)



# Lock Box Installation – Step 9 (cont)

Additional pictures from install:



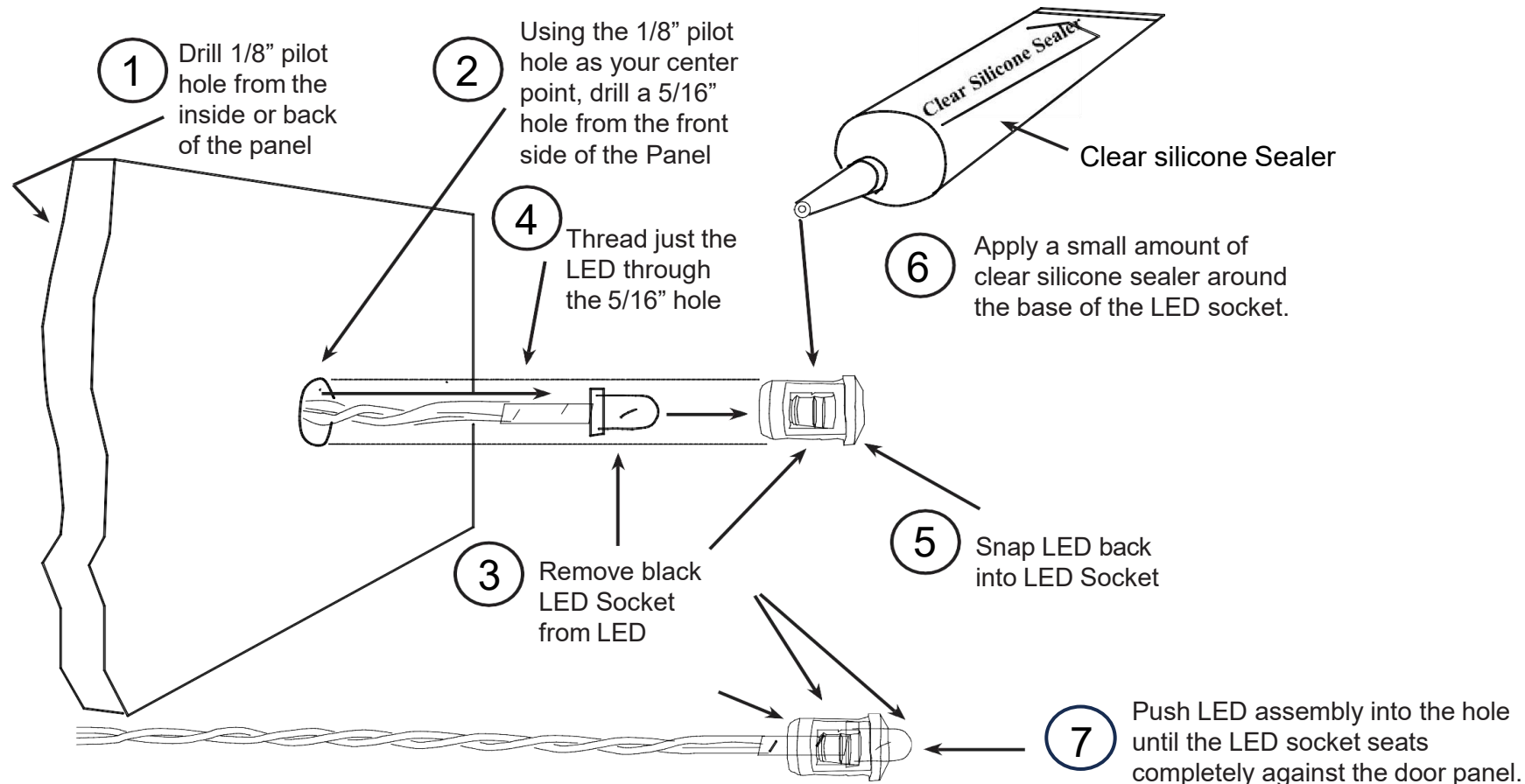
**Front View**



**Top View**

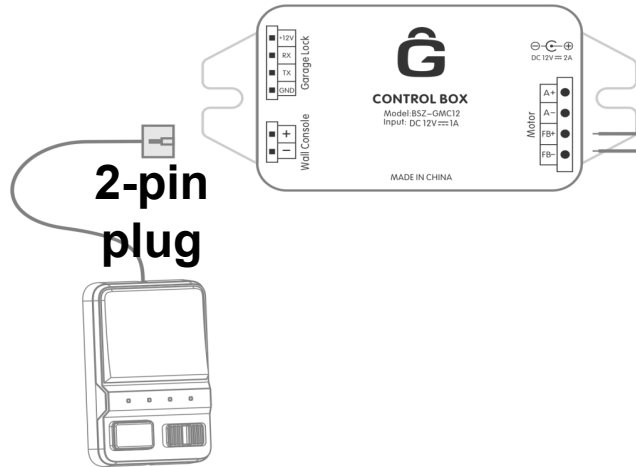
# Lock Box Installation – Step 10 (Optional)

Installing the External Lock Status Indicator LED is optional as some homeowners may not want to drill a hole in the garage door itself. But if you opt to, find the position you want to install by marking inside the garage door then follow the steps below. Recommend installing high enough to be seen from the vehicle over the hood of the car when parked in the driveway.



# Lock Box Installation – Step 11

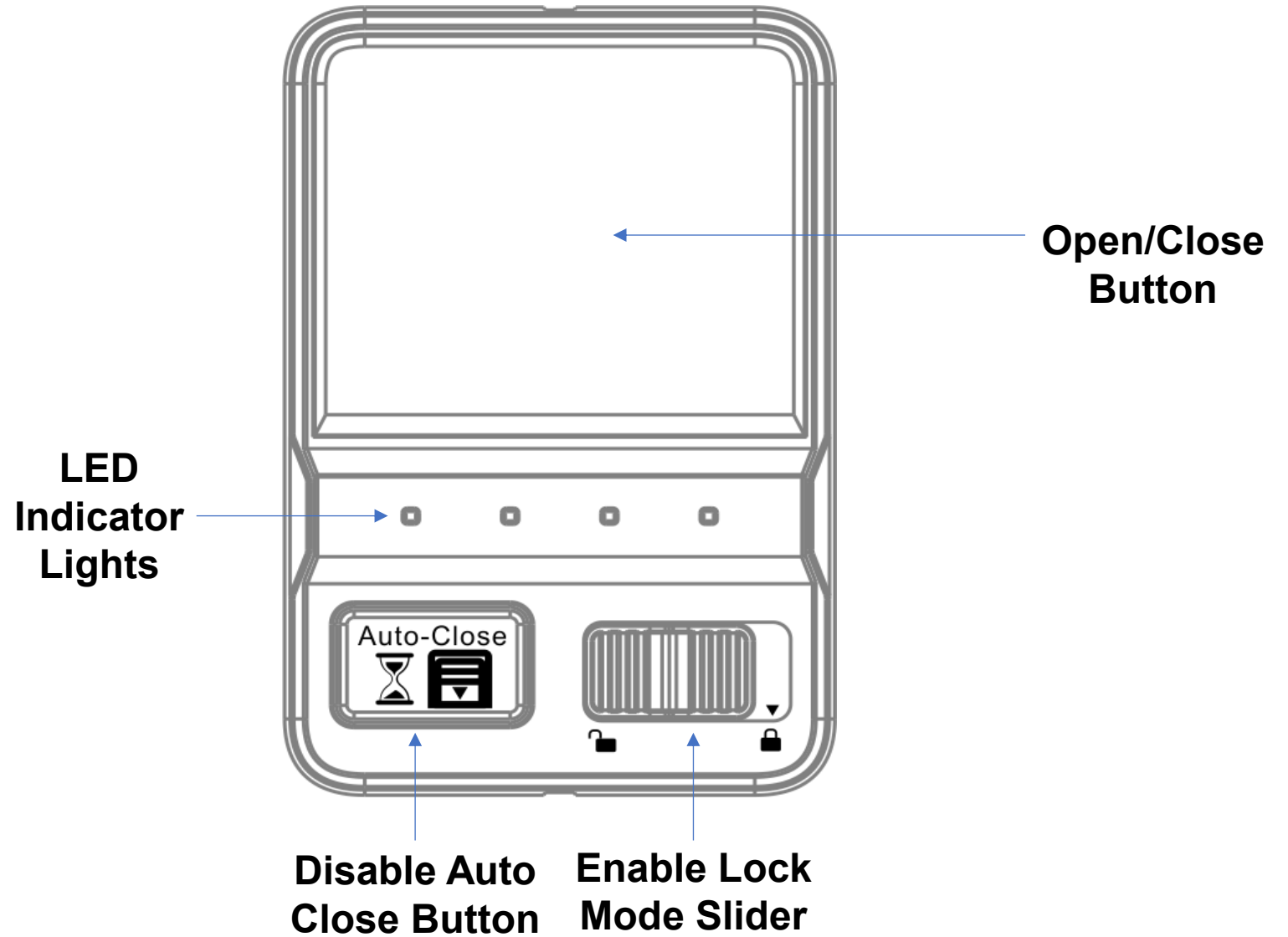
At this point, you can safely plug in the garage door opener and reconnect the garage door to the rail (at the safety handle). Test the system using the Wall Console provided to ensure the Lock Box and garage door opener are working together as expected before going on to the next sections (installing the Wall Console and Keypad). Just plug the Wall Console 2-pin connector into the Control Box (no need to properly install first) and press the button to test the opening/closing functions are working.



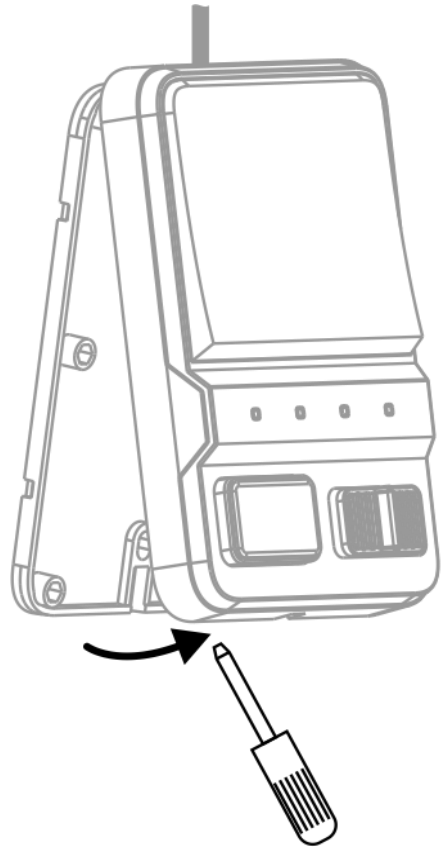
Note: The wireless devices (Remote and Keypad) will be disabled until the Wall Console has been plugged in.

**Caution: Never attempt to open the garage door with any other remotes, consoles, keypads, or apps other than the ones that are part of the Garage Door Lock system.**

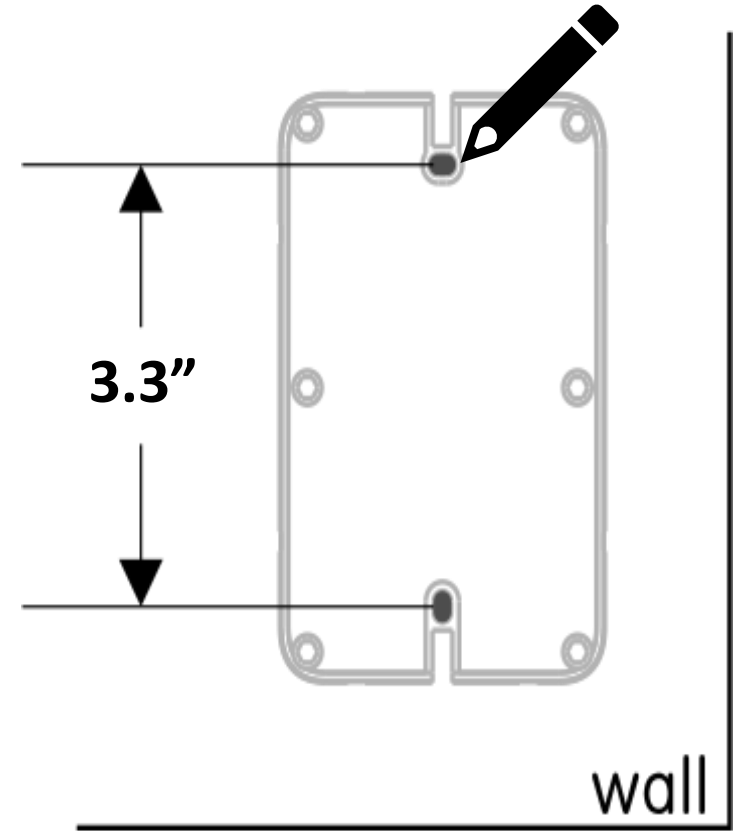
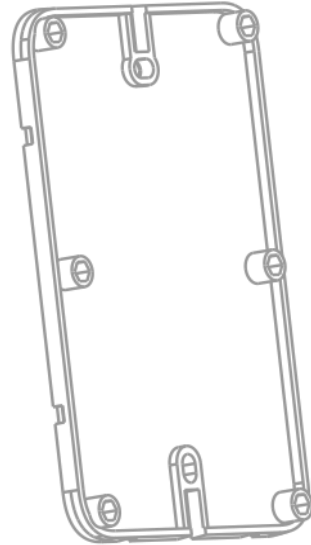
# Wall Console



# Wall Console Installation Instructions

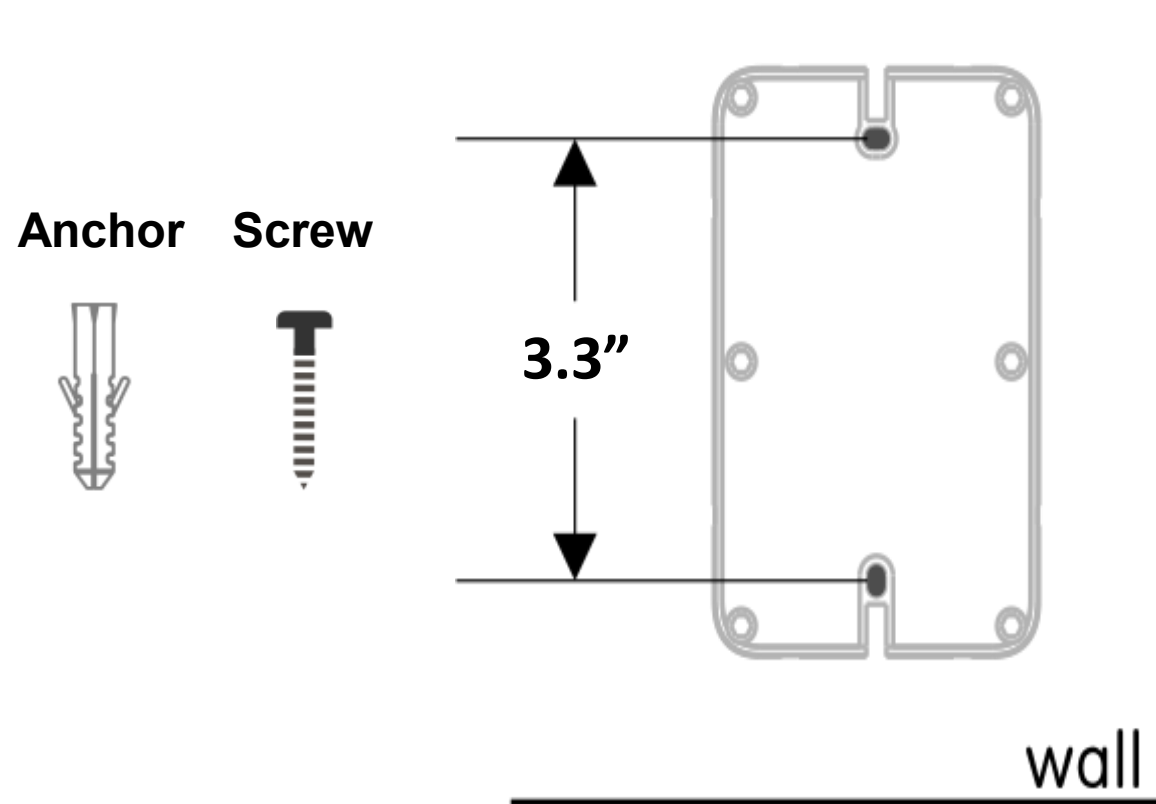


Step 1: Pry the back cover from the Wall Console with a screwdriver

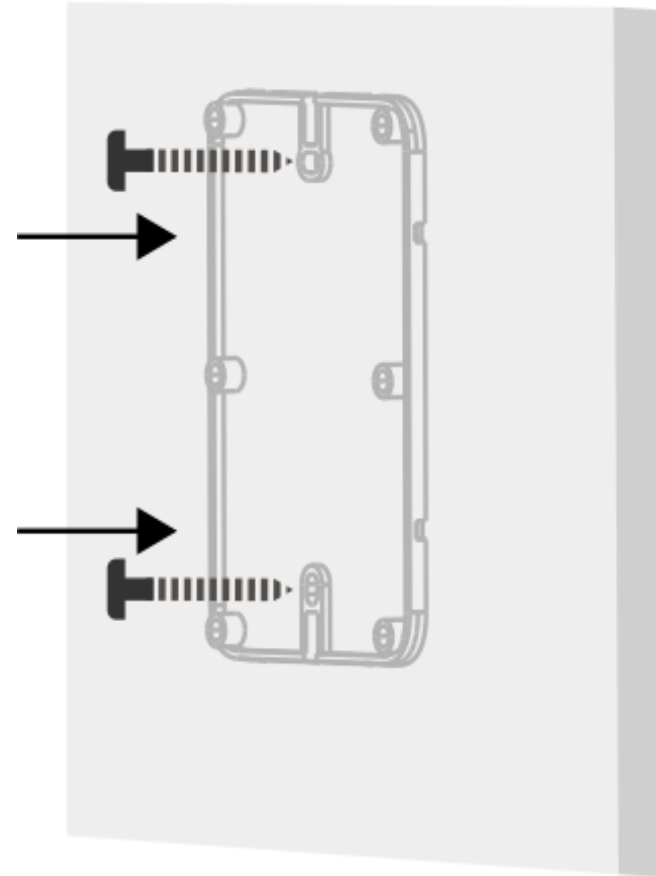


Step 2: Place the back cover on the wall in the place where you want it to reside and mark the center holes with a pencil.

# Wall Console Installation Instructions



Step 3: Put down the back cover and make 2 small punctures or drill holes in the wall at the marked spots and insert the expansion screws in the holes



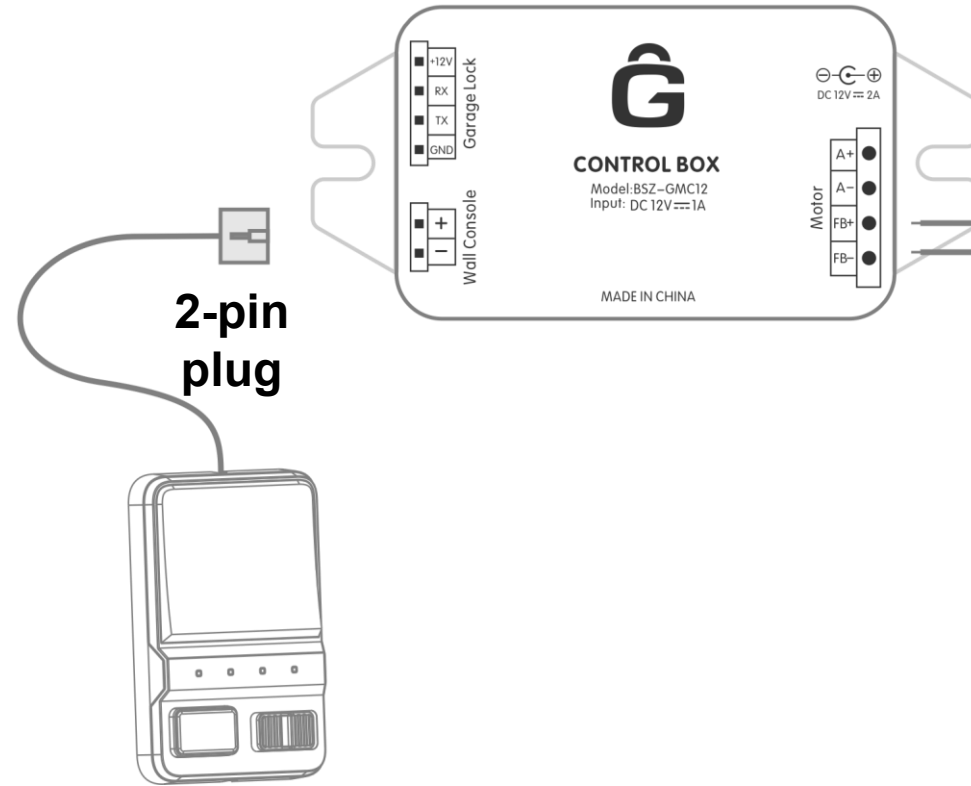
Step 4: Fasten the back cover to the wall with the matching screws

# Wall Console Installation Instructions



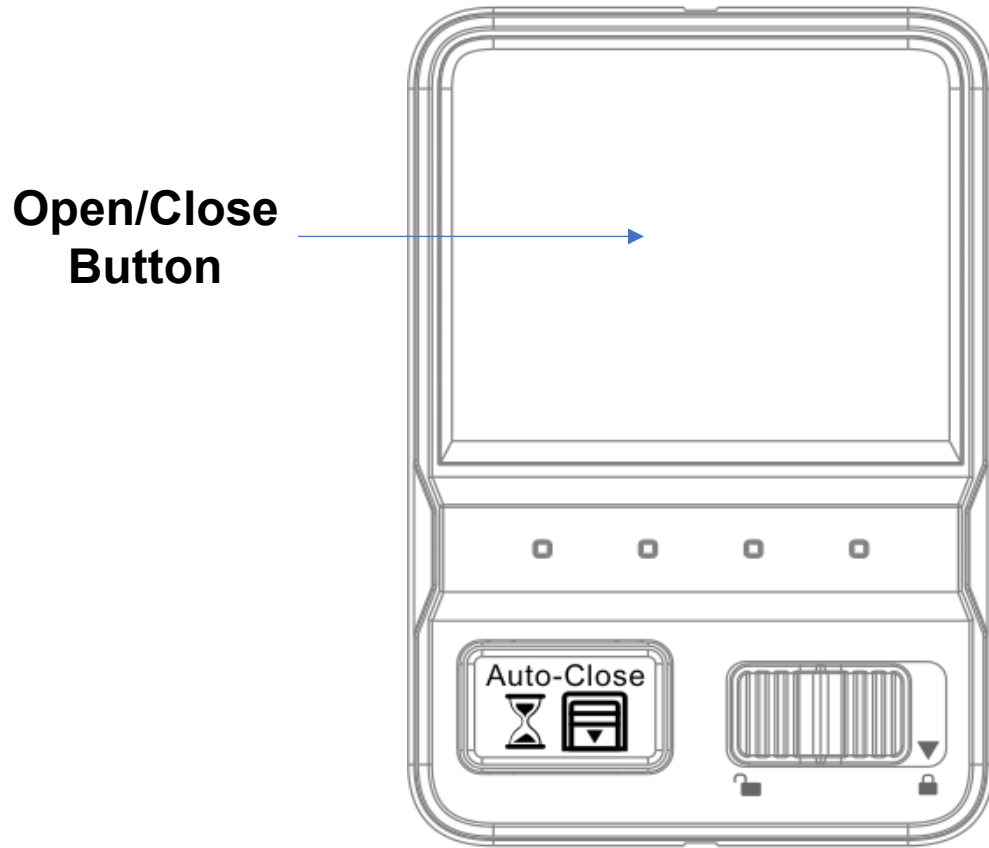
Step 5: Align the Wall Console with the back cover and snap into place

# Wall Console Installation Instructions

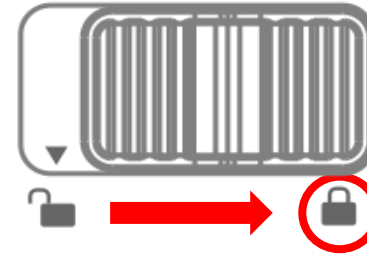


**Step 6:** Connect the 2-pin plug into the Control Box and secure the wire along the ceiling or rafters and wall removing any slack.

# Wall Console – Lock Mode Setting

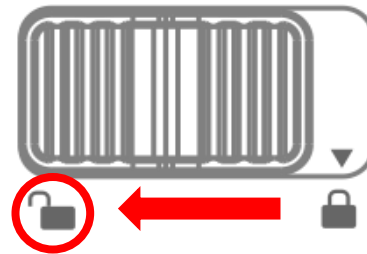


## Lock mode enabled



When the slider is in the lock position, this disables the outside keypad and the car remotes. Wall console open/close will still work.

## Lock mode disabled

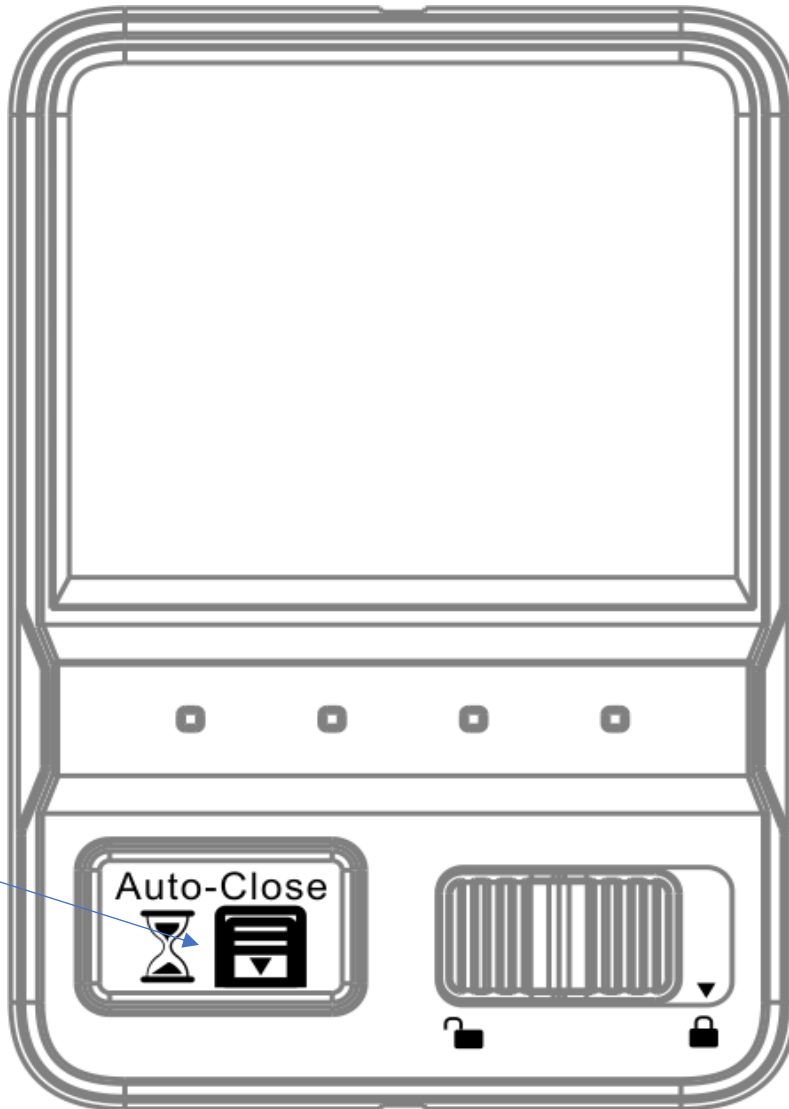


When the slider is in the unlock position, all opening mechanisms will be able to open/close the garage door lock.

Note: When Lock Mode is enabled, the devices (when used) will cause the Working Indicator Light on the Lock Box to turn white and flicker/beep 3 times.

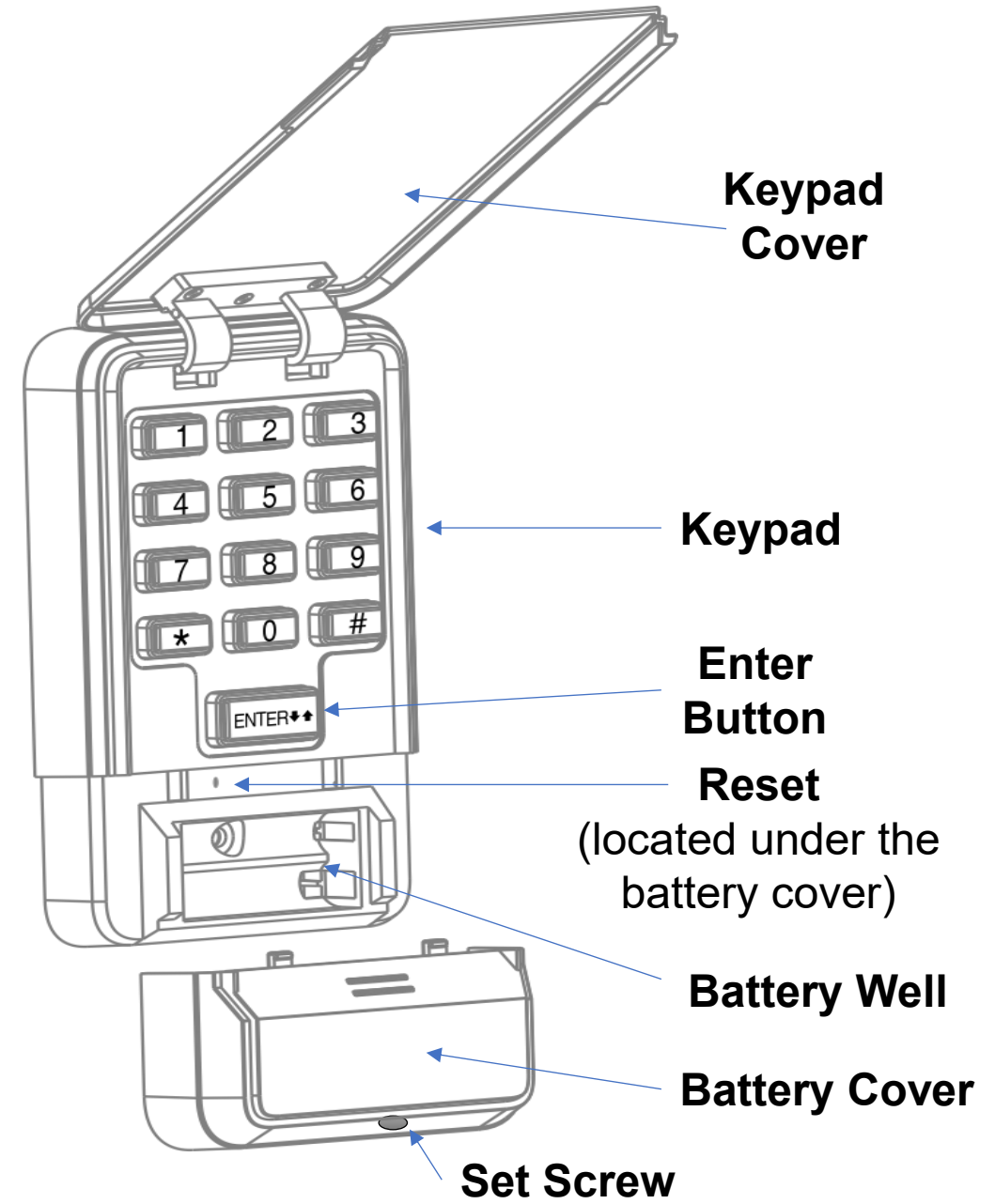
# Wall Console – Auto-Close Feature

**Disable Auto  
Close Button**



Auto-Close is not a supported feature at this time. Pressing the button will have no effect on the performance of the Garage Door Lock system.

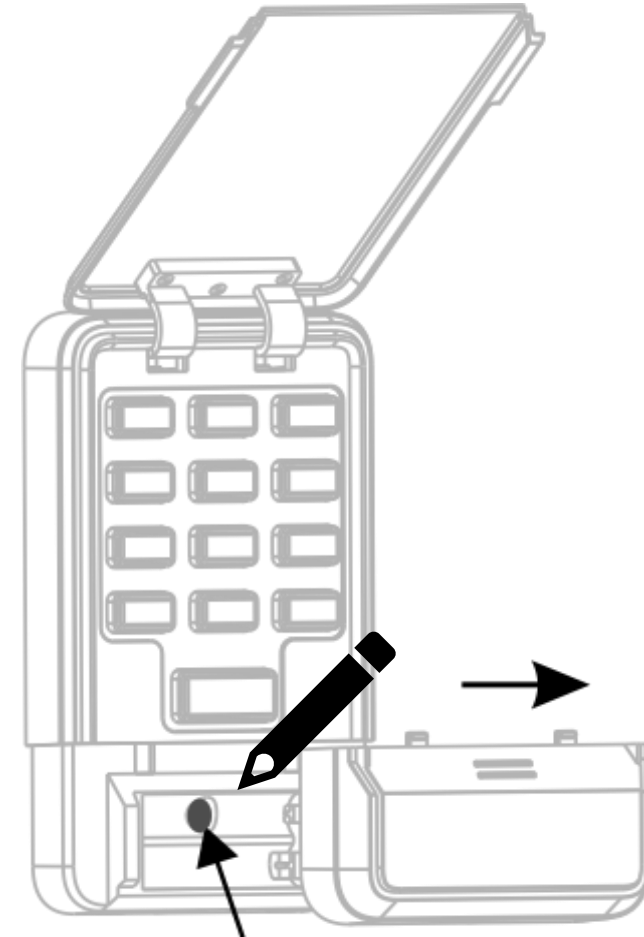
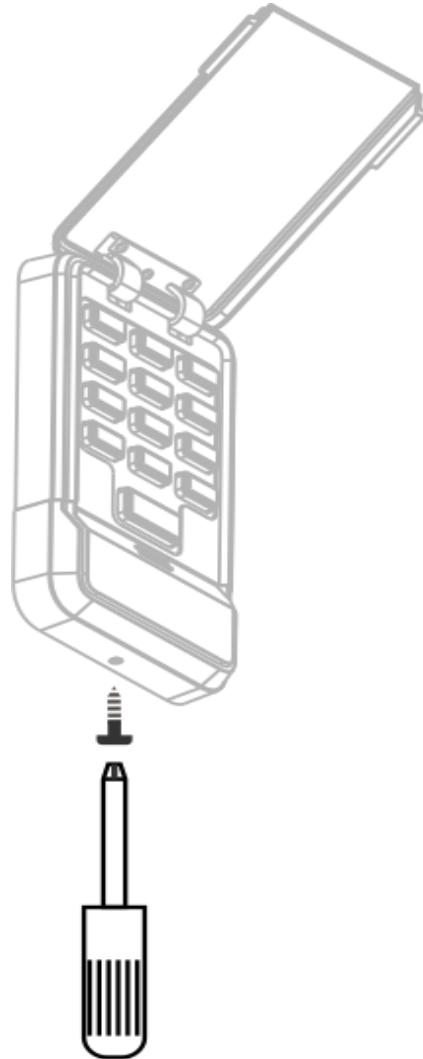
# Outdoor Keypad



# Keypad Installation Instructions

Step 1: Use a screwdriver to loosen the set screw at the bottom of the Keypad. This screw secures the battery cover in place. Once loosened, remove the battery cover.

Note: Do not completely remove the set screw.



Step 2: Under the battery cover is a screw hole. Place the Keypad in the location you want it to reside outside the garage and mark the hole with a pencil.

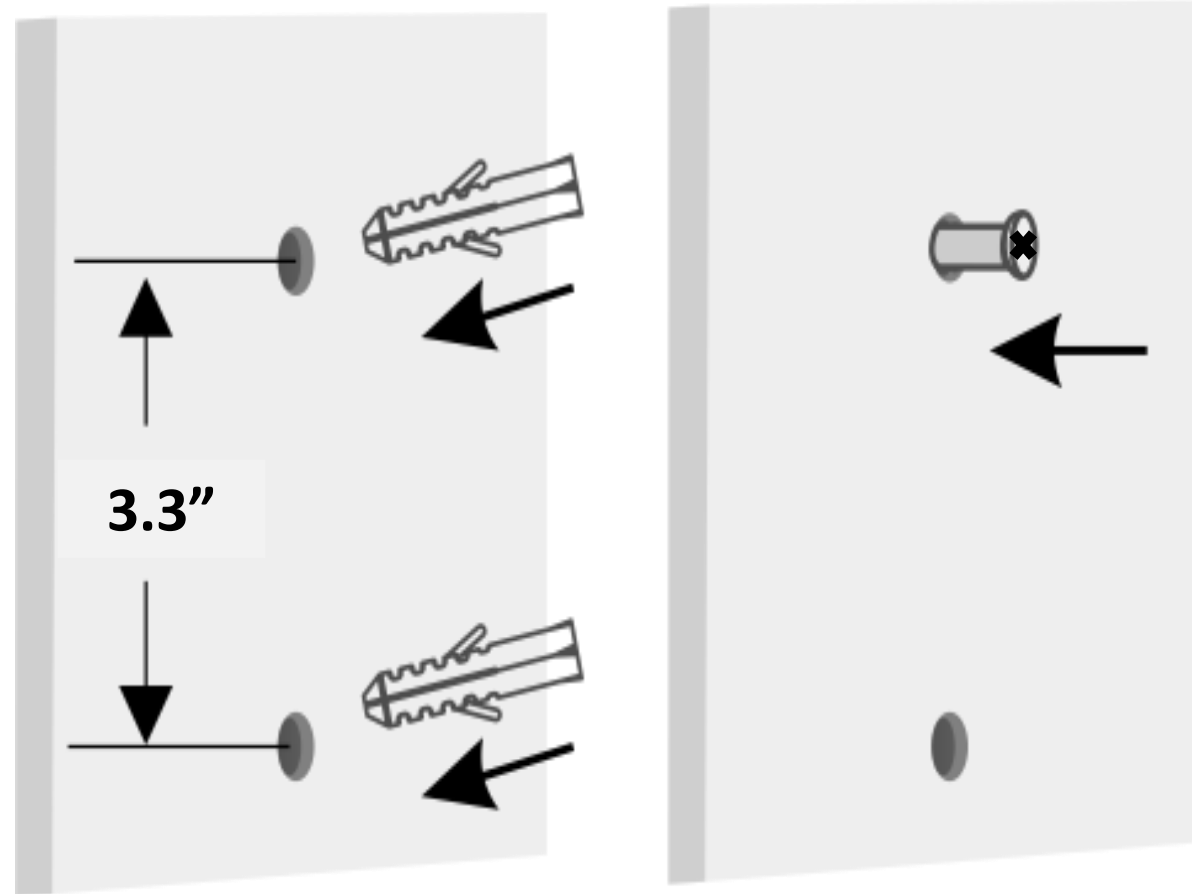
# Keypad Installation Instructions

Step 3: Measure 3.3 inches (~84mm) up from the pencil mark and mark that spot with a pencil as well.

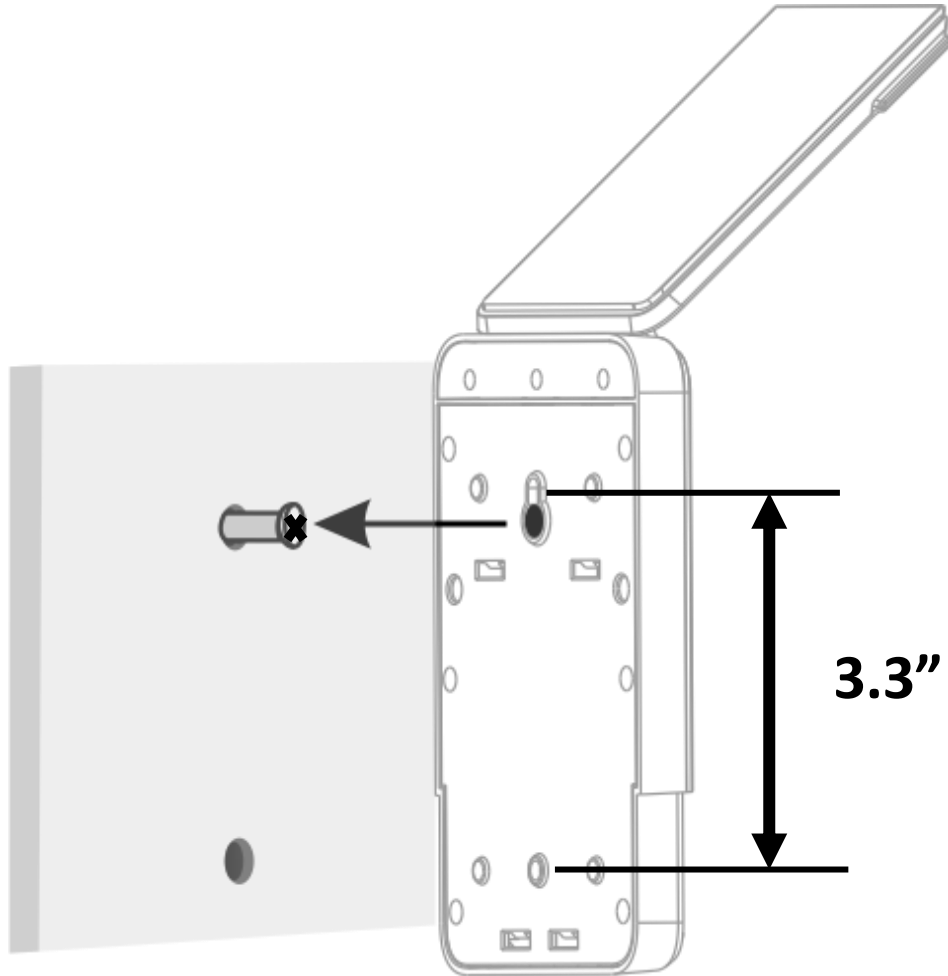
Step 4: Make 2 small punctures or drill holes in the wall at the marked spots and insert the expansion screws in the holes.

Step 5: Fasten the top screw **only** in the wall leaving about 0.2 inches (~5mm) protruding out from the wall for hanging the panel.

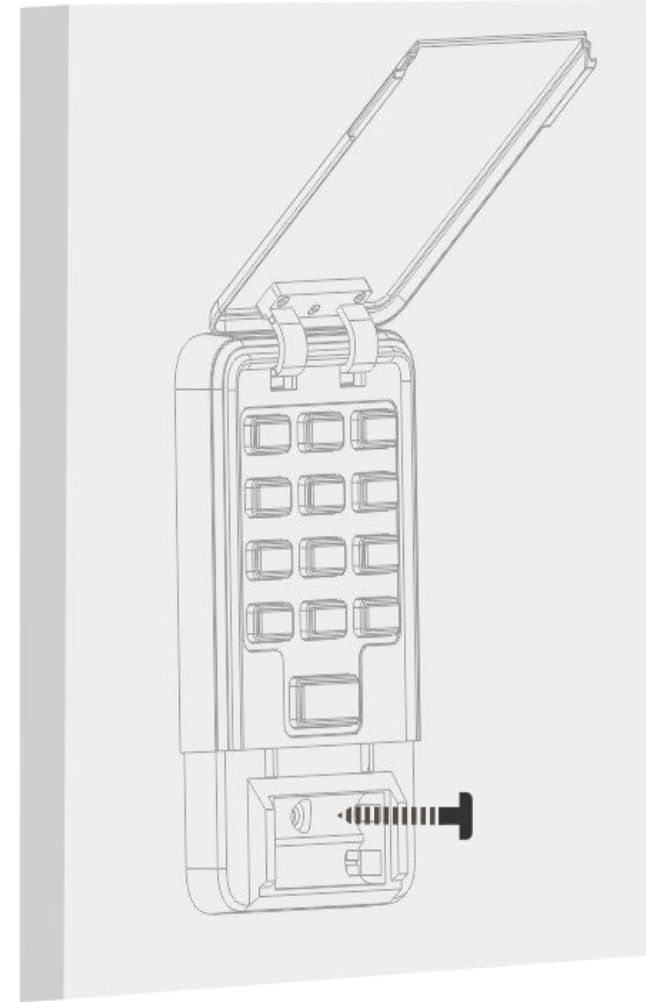
**Expansion  
Screw      Screw**



# Keypad Installation Instructions



Step 6: Align the top hole in the back of the Keypad with the screw protruding from the wall and hang the panel.

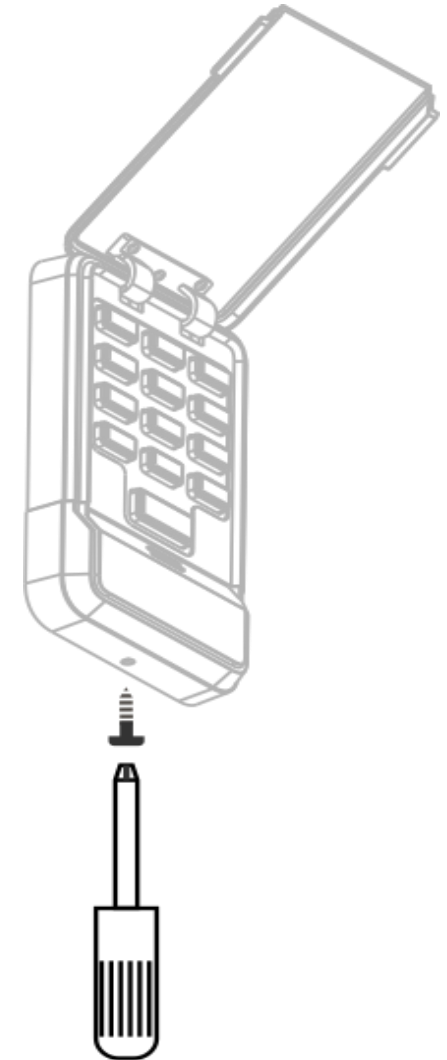
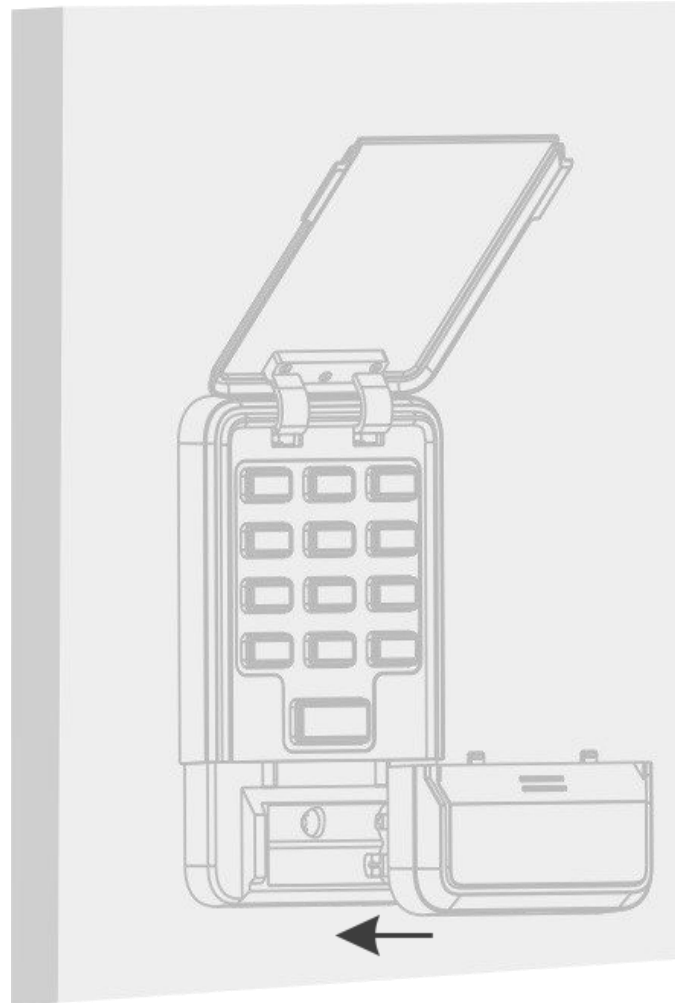
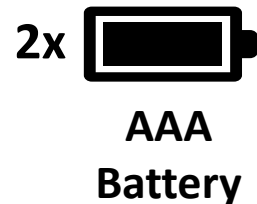


Step 7: Install the remaining screw into the hole inside the battery well to secure in place .

# Keypad Installation Instructions

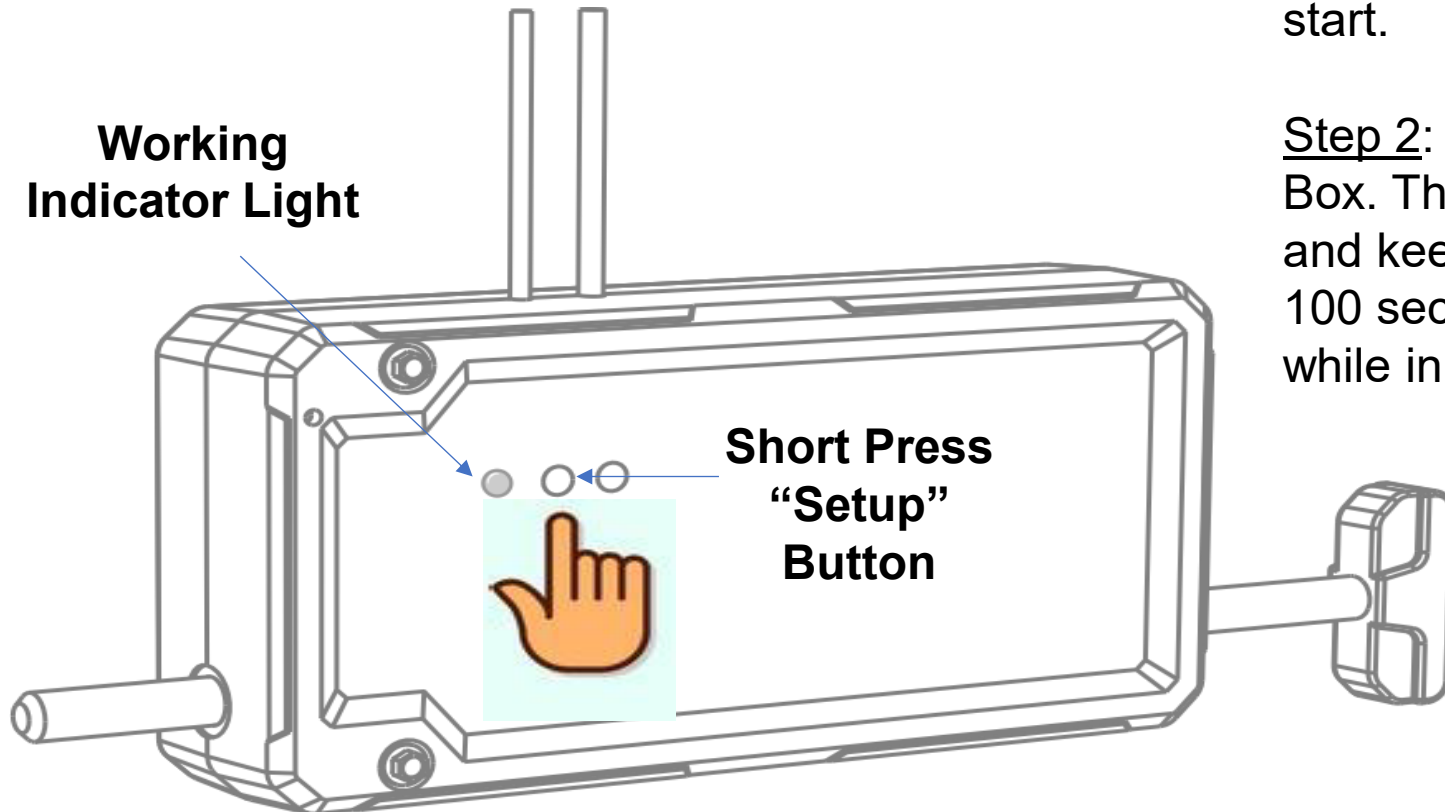
Step 8: Place 2 fresh AAA batteries into the battery well and replace the battery cover back into place. Secure by tightening the set screw at the bottom of the Keypad.

Note: It is recommended to change your batteries every year for best performance. Also note that your passcode will be retained even if the batteries are replaced.



# Keypad Pairing Instructions

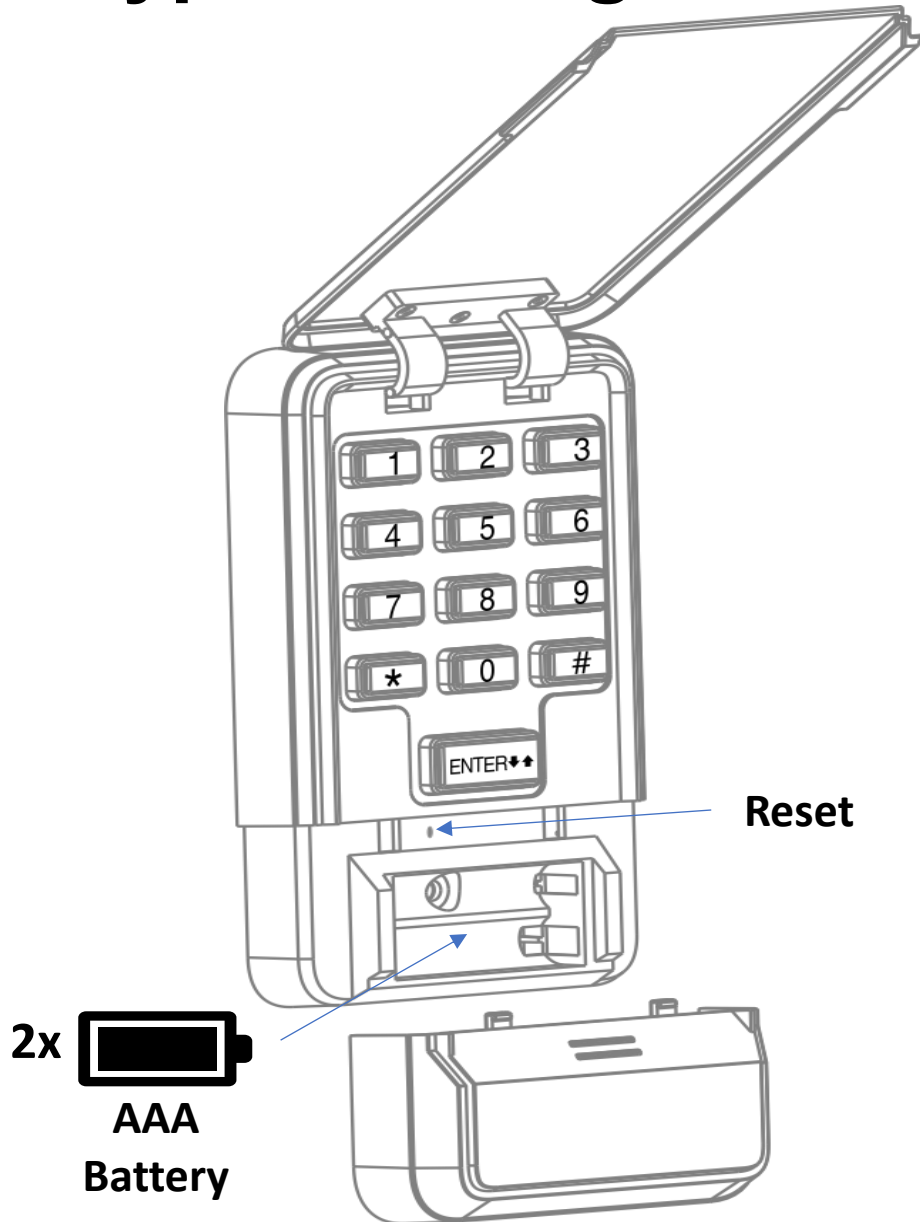
**NOTE:** The Keypad that came with your Garage Door Lock kit was already paired to the system at the factory. Skip these “Keypad Pairing Instructions” steps if using the Keypad included with the kit and go directly to “Keypad Configuration - Setting New Passcode” instructions.



Step 1: Gather a needle and the Keypad before you start.

Step 2: Short press the “Setup” button on the Lock Box. The Working Indicator Light will turn to green and keep flickering slowly. It will continue for about 100 seconds then time out. Work on the next step while in this mode.

# Keypad Pairing Instructions



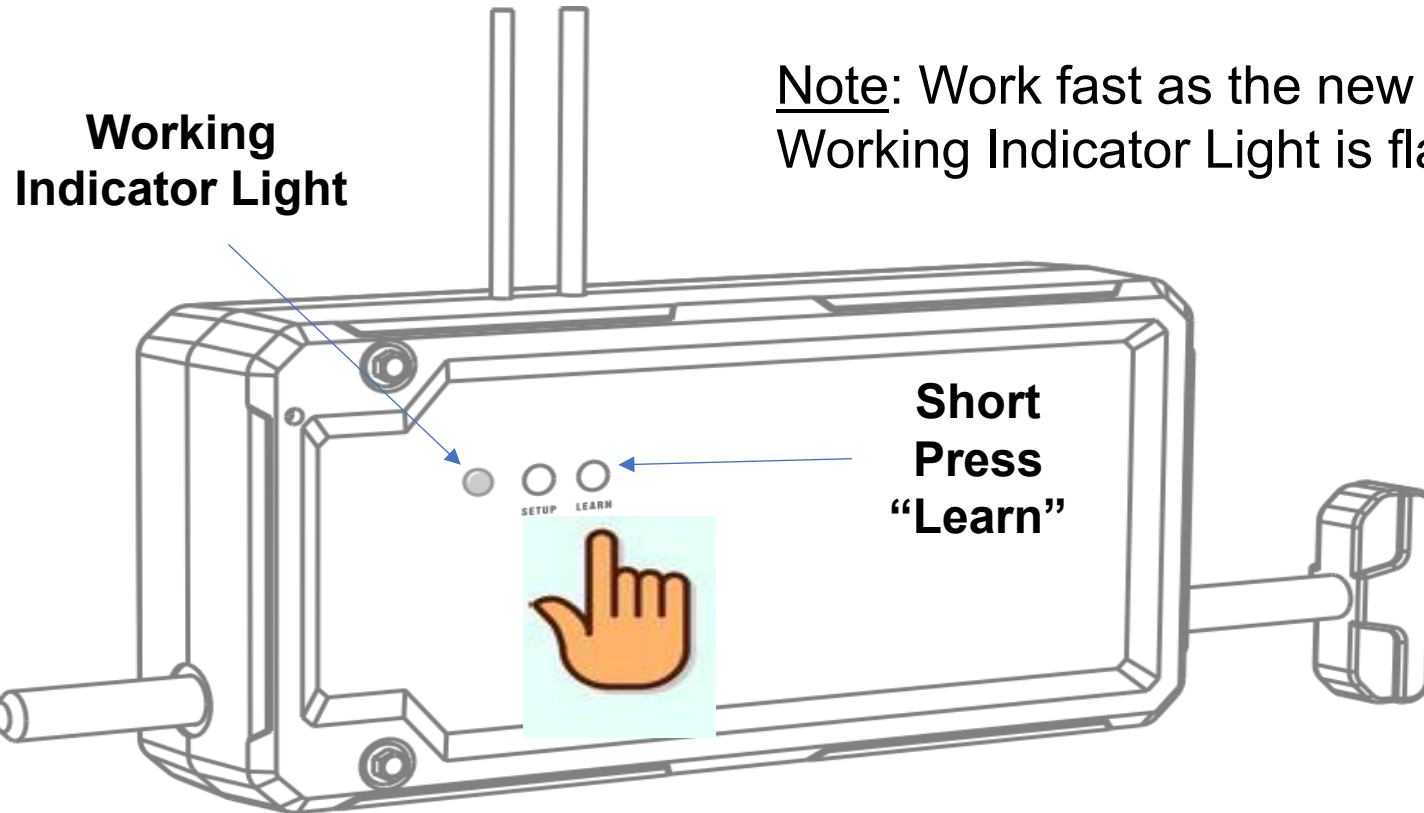
Step 3: Remove the battery cover (remember to loosen the set screw first). While the Working Indicator Light is flickering green, press and hold the reset button on the keypad with a needle until you hear a beep and the keypad backlight starts flickering slowly (~4 seconds).

Note: If the configuration is successful, the keypad will stop flickering and light for ~3 seconds. If configuration fails, the Keypad light will turn off immediately. If that happens, please start again.

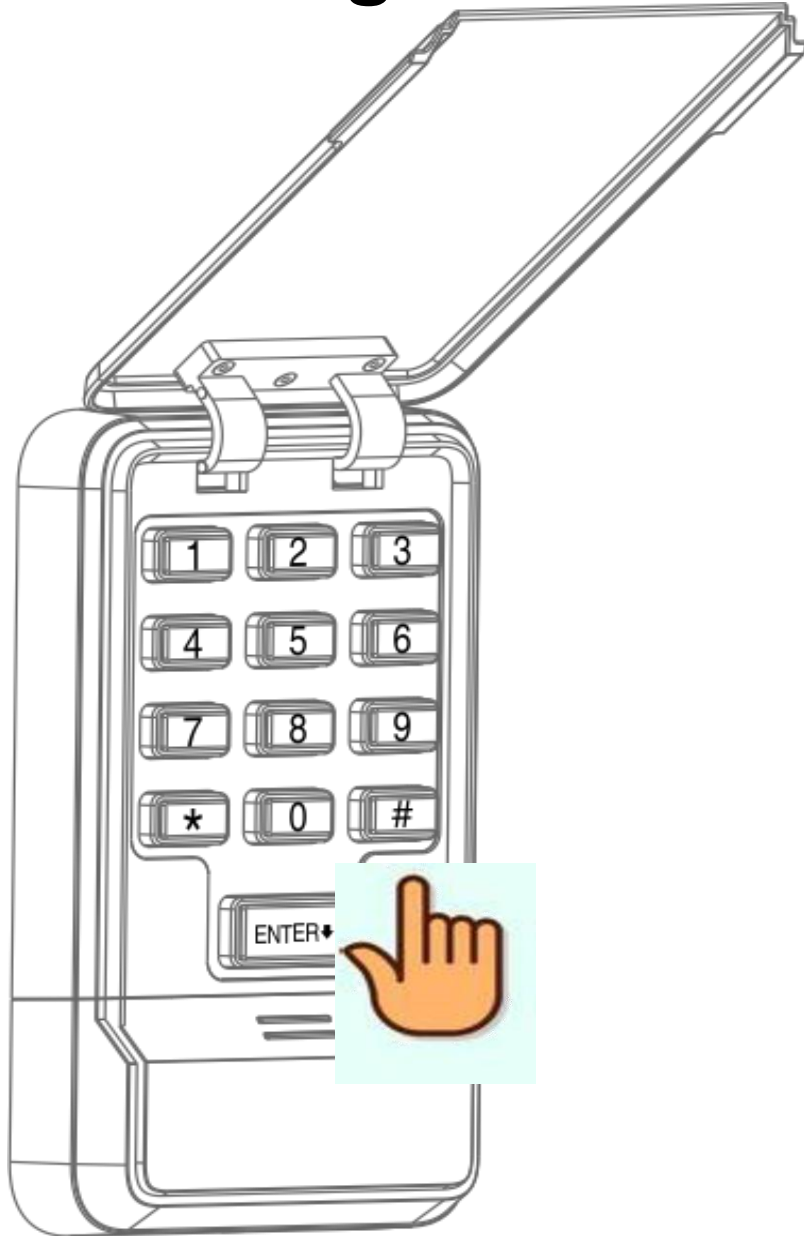
# Keypad Configuration – Setting New Passcode

Step 1: Short press the “Learn” button on the lock box. The Working Indicator Light will turn to yellow and keep flickering slowly for ~30 seconds then time out.

Note: Work fast as the new passcode can **only** be set while the Working Indicator Light is flashing yellow.



# Keypad Configuration – Setting New Passcode

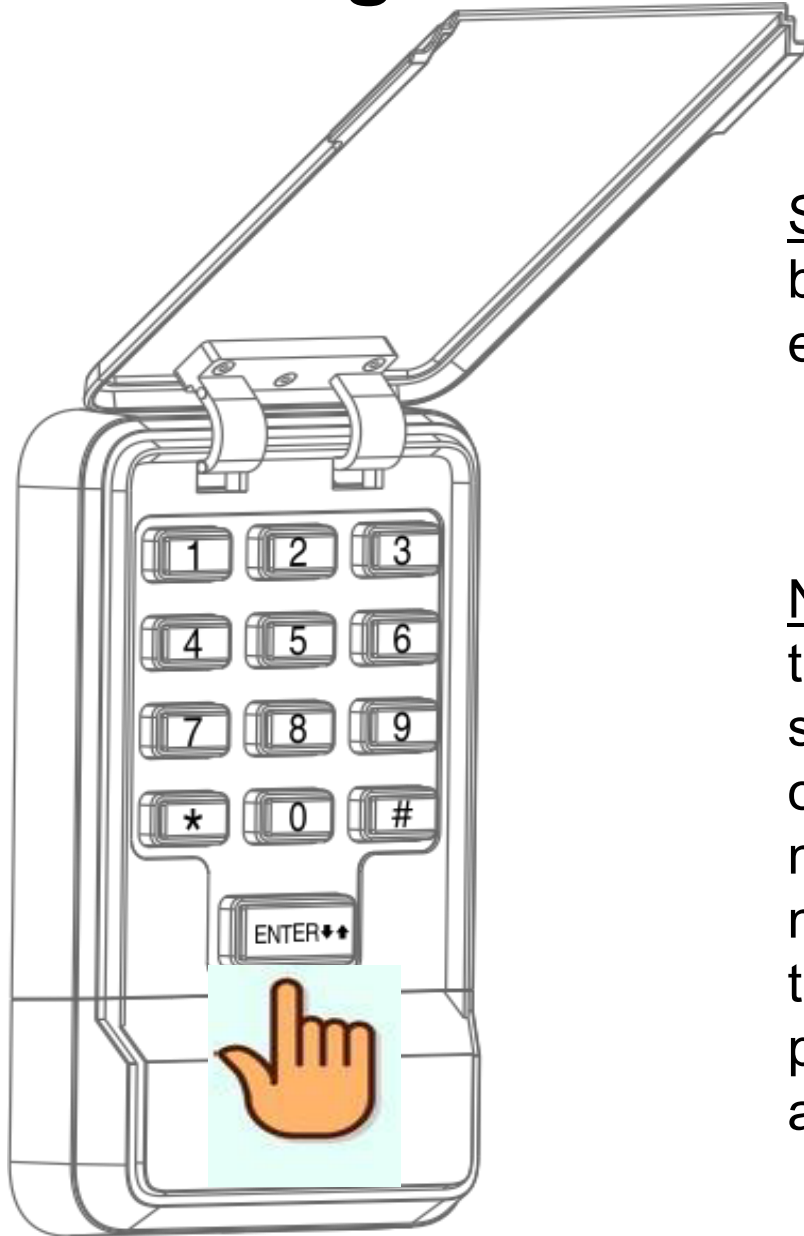


Step 2: While the working indicator light is flickering yellow, enter a 6-digit passcode then press # to confirm.

Example: 1 2 3 4 5 6 #

Note: If successful, The Working Indicator Light on the Lock Box will turn white and flicker/beep twice.

# Keypad Configuration – Setting New Passcode

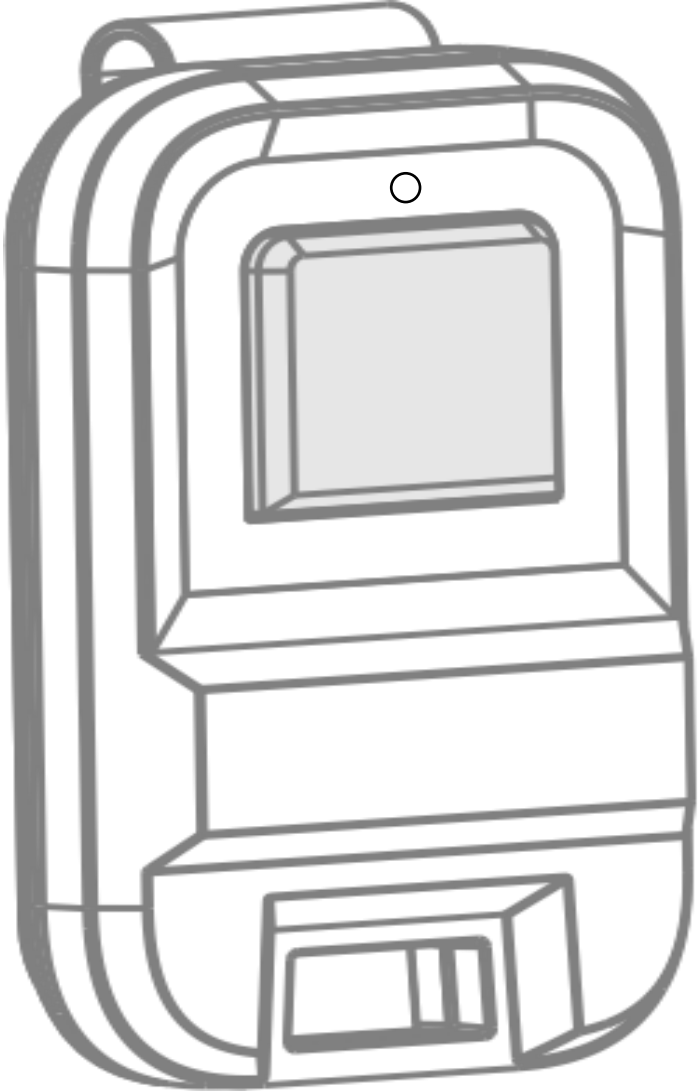


Step 3: Check that the new code entry was successful by testing it. Enter the new 6-digit passcode and press enter to unlock.

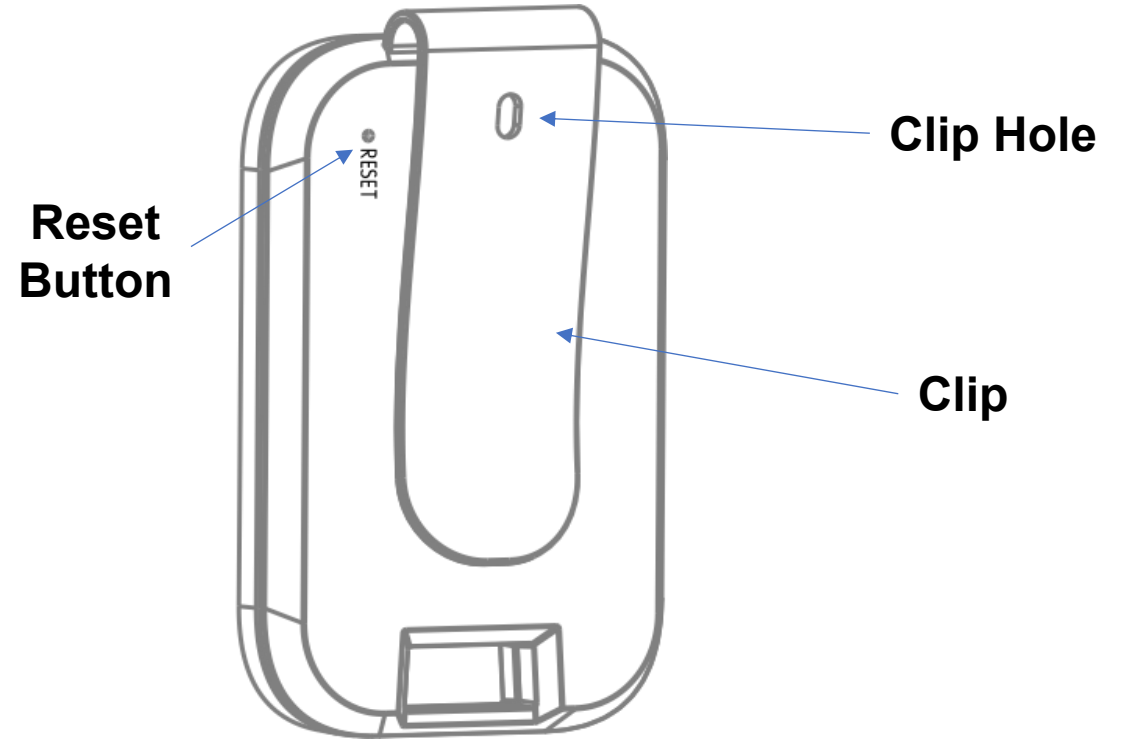
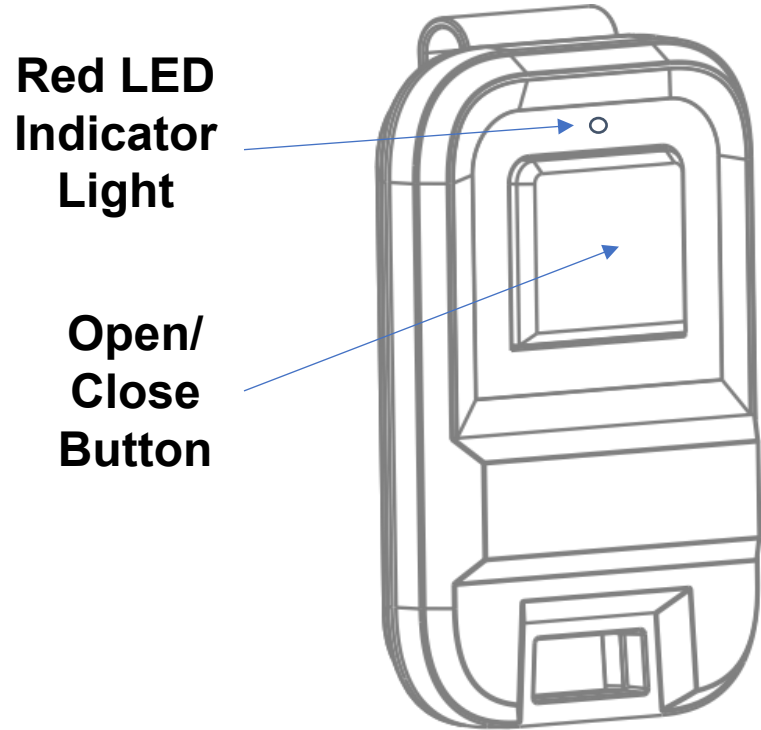
Example: 1 2 3 4 5 6 “Enter”

Note: If **not** successful, the Working Indicator Light will turn white and flicker/beep 3 times. If this happens, try setting again and make sure the Working Indicator Light on the Lock Box is flickering yellow while you set the new code. Take care to press in the center of each number as rolling your finger or pressing on the side of the button could cause the button to be unintentionally pressed twice (you would hear a double beep instead of a single beep from the Keypad).

# Remote Control



# Remote Control

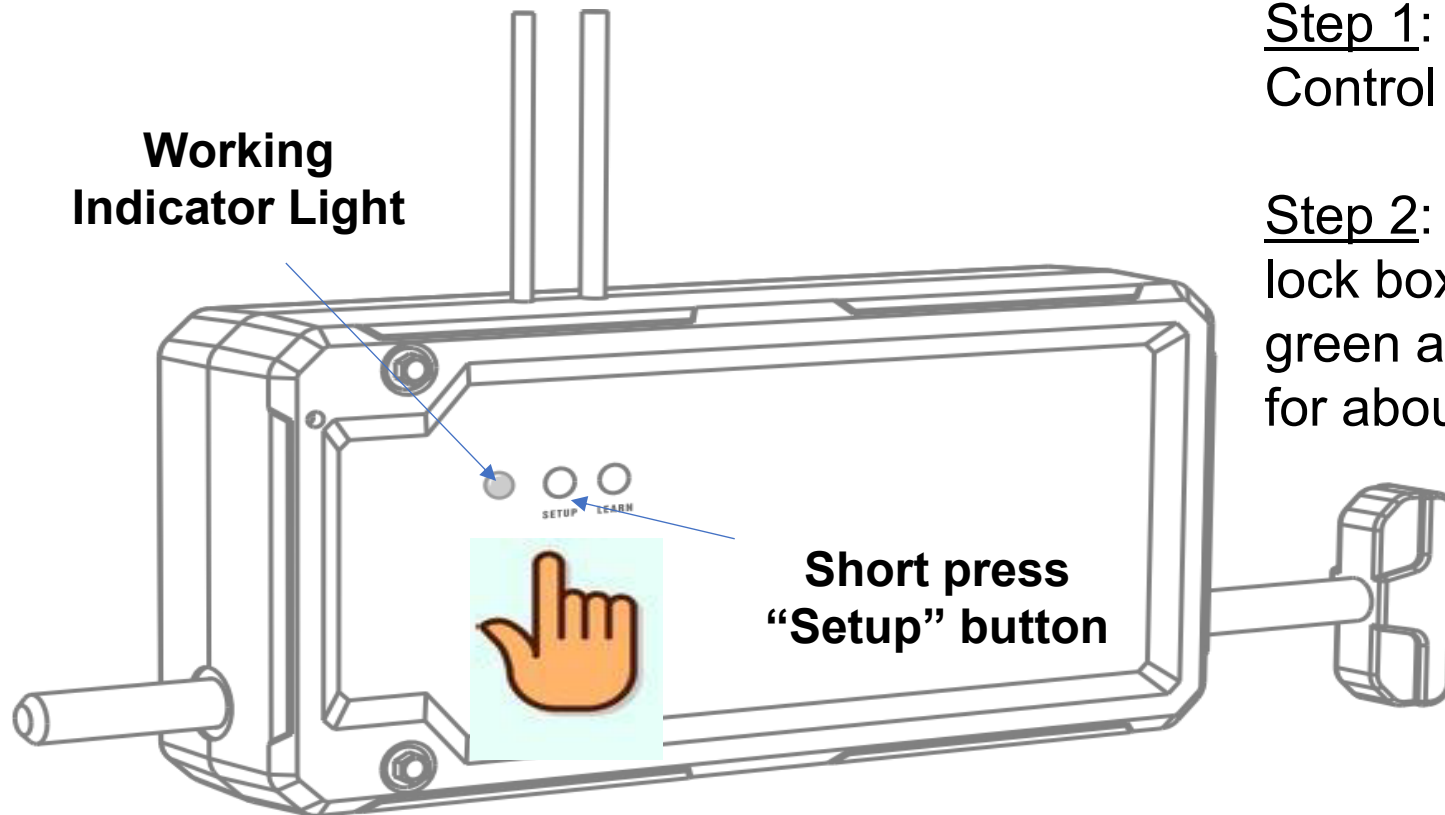


# Remote Control Pairing Instructions

**NOTE:** The Remote Control that came with your Garage Door Lock kit was already paired to the Lock Box at the factory. These instructions allow you to pair additional remotes (available for purchase on the website – [www.elocksys-garage.com](http://www.elocksys-garage.com) ).

Step 1: Gather a needle and the Remote Control before you start.

Step 2: Short press the “Setup” button on the lock box. The working indicator light will turn to green and keep flickering slowly. It will continue for about 100 seconds then time out.

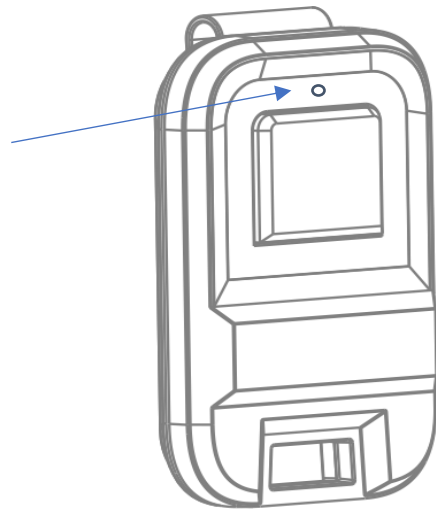


# Remote Control Pairing Instructions

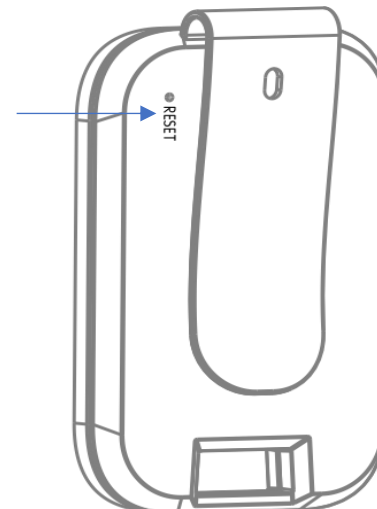
Step 3: While the Working Indicator Light is flickering green, press and hold down the reset button on the remote control with a needle until the red LED indicator light turns on (~5 seconds). The red LED light will flash quickly once and the second flash will stay on for about 2 seconds and then will turn off. At this point, the pairing should be complete and you can use your remote. Don't worry if the Working Indicator Light continues to flicker green... it will turn off automatically.

Note: If the configuration was **not** successful, the red LED indicator light on the remote will flash on/off for 30 seconds then turn off automatically. If this happens, do step 3 again (wait for the LED to stop flickering first). Just make sure the working indicator light on the lock box is still flashing green. You can pair up to 5 remotes.

**LED  
Indicator  
Light**



**Reset  
Button**



# Appendix

## The Garage Door Lock



# Support Contact Information

We at Elocksys are here to help you. Whether it is support with your installation, debug help, or technical questions after the fact, we pride ourselves in a quick response to your questions. Typically, within 24 hours you should be contacted by a member of our support staff. When emailing or calling and leaving a message, please give details as to the issue being encountered so we can direct your questions to the appropriate party.

## Details requested:

- Type of garage door (sectional or one-piece)
- Make & model of garage door opener
- Description of issue including what part of the assembly process you are in

## **Support Contact Info:**

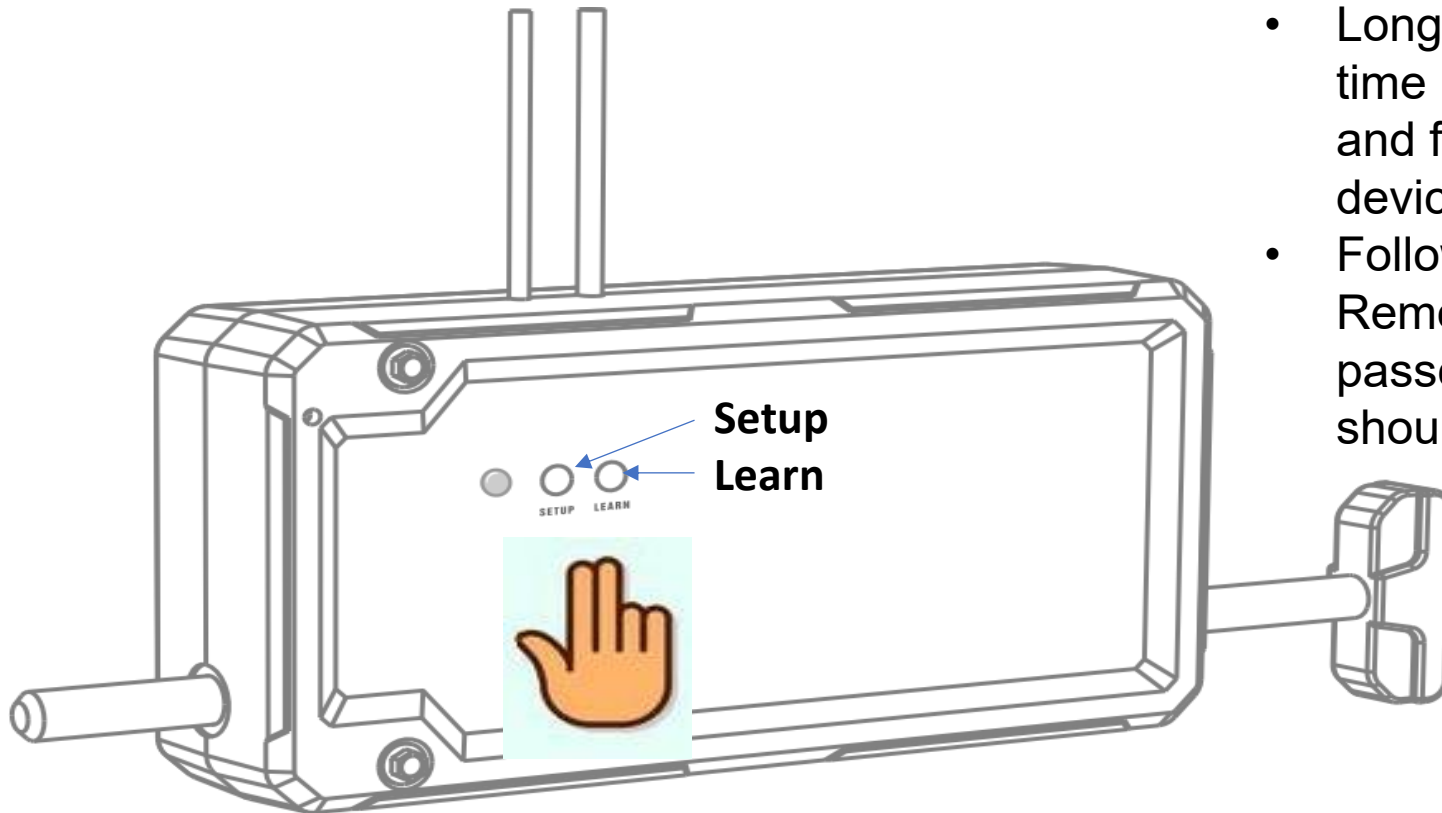
Phone: 773-750-2249

### Emails:

- [support@elocksys-garage.com](mailto:support@elocksys-garage.com)
- [sales@elocksys-garage.com](mailto:sales@elocksys-garage.com)

# Reset Keypad Code and Paired Remote Controls

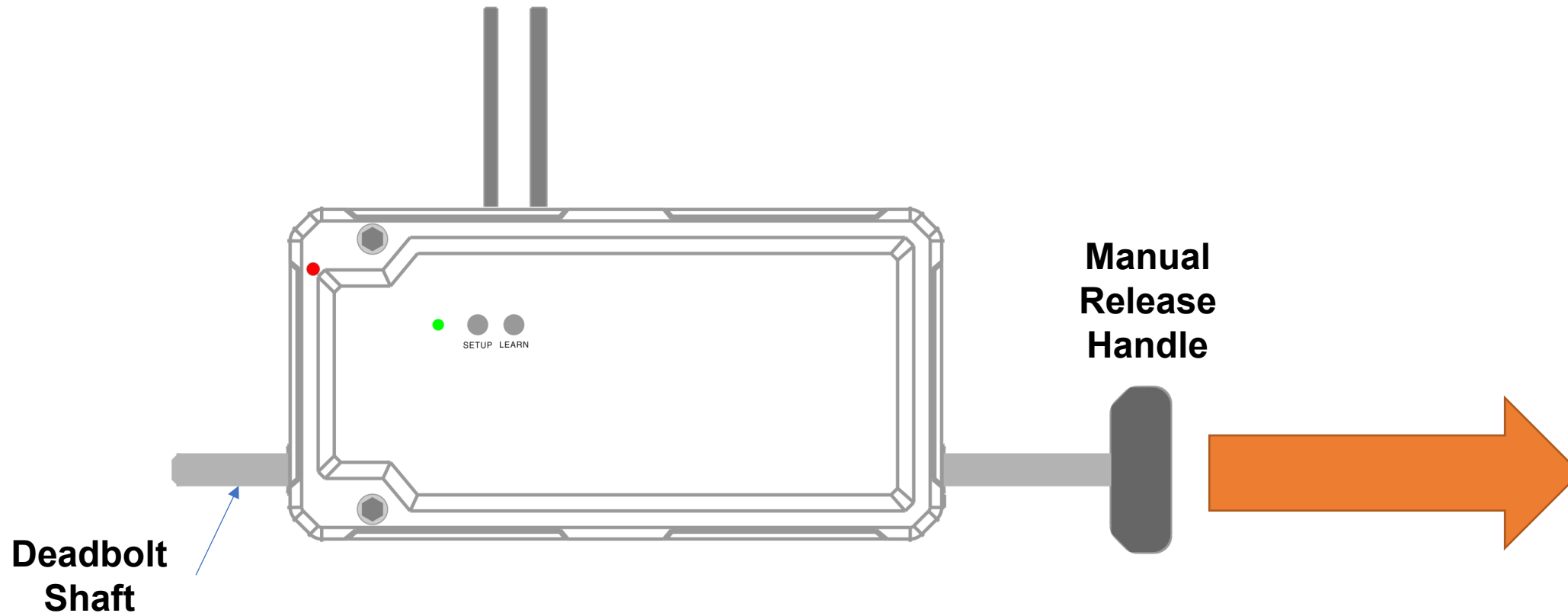
**Warning: This action will disable all wireless opening devices associated with this Lock Box (Remotes and Keypad). None of these devices will open or close the Garage Door Lock until you pair the remote again and set the passcode for the Keypad. The Wall Console will not be affected.**



- Long Press “Setup” and “Learn” at the same time until the working indicator turns white and flickers/beeps twice (~5 seconds). All devices have now been unpaired.
- Follow directions in this manual to re-pair the Remote ([link](#)) to the Lock Box and set a new passcode for the Keypad ([link](#)). The Keypad should not need to be re-paired.

# Manual Lock Operation (Power Failure)

If the power goes out or if the garage door operator stops working, you can still operate the garage door and the Garage Door Lock system manually. **BEFORE** you pull the emergency release handle on the outer trolley rail, manually unlock the Lock Box as shown below. Gently pull the lever outwards until clear of the receiver hole. When the power is restored, the lock will automatically lock in 5 seconds if the door is in the closed position.



# Warranty Information and Guidelines

At Elocksys, Inc. we provide a limited warranty of this product as stated below.

One-year limited warranty on mechanical and electrical components only, against manufacturers workmanship and material defects.

We test each lock before it is packaged for sale, we will not cover or be responsible for damage as a result of mishandling, pure or incorrect installation, nor will we cover human error or implied accidents by the customer or installer.

We provide a battery with each remote in the kit, it will be the customers responsibility to replace the battery should it lose power.

The customer must pay the shipping and handling for the replacement unit and for the return of the alleged defective unit to the factory. The customer will be billed for the replacement lock until the lock returned for warranty is evaluated.

Each warranty claim will be processed on an individual case by case basis.

WE MAKE NO OTHER WARRANTY, EXPRESS OR IMPLIED, AND WE DISCLAIM ANY WARRANTY OR ANY OTHER KIND, INCLUDING ANY WARRANTY OF MERCHANTABILITY OR FITNESS FOR A PARTICULAR PURPOSE.

WE AND YOU AGREE THAT THE SOLE AND EXCLUSIVE REMEDY FOR NONCONFORMING GOODS SHALL BE REPLACEMENT OF DEFECTIVE GOODS. The parties acknowledge that the price of our products would be much greater if we undertook more extensive liability.

# Warranty Information and Guidelines

This warranty shall not apply to damage resulting from (I) loss or damage in transit, (II) unreasonable use, (III) Buyer's negligence, or (IV) accident. We reserve the right to examine the alleged defective goods to determine whether the warranty is applicable.

Please register and notify Elocksyst of the purchase and installation of your new lock assembly. Register on line at our web site ([www.elocksys-garage.com](http://www.elocksys-garage.com)). The information you provided is to be used for individual customer relations and Warranty confirmation purposes only. Your privacy is important to us, the information provided will not be sold or shared.

The one-year warranty starts with, date of sale or purchase to the end user, not date of installation and is limited to the original purchaser. These requirements include the purchases from wholesale distributors, stores, contractors and retailers.

You must Show proof of purchase, date and location of installation upon warranty request, which will be matched with the product registration. The warranty will be void if false information is provided on the registration document or proof of purchase receipt by the original purchaser.

Some states do not allow specific or general limitations on product warranty, Implied or incidental. However, the legal protections provided by the state in which the purchaser, user resides will be observed.

Elocksyst Inc. reserves the right to repair or replace lock assemblies and individual parts with tested and known good reclaimed parts or new parts.

Repairs of lock assemblies and parts that exceed the ONE YEAR LIMITED WARRANTY period, will be paid by the customer, at current labor and part rates, along with shipping and handling.

For warranty service contact Elocksyst, Inc. at: 773-750-2249; [support@elocksys-garage.com](mailto:support@elocksys-garage.com)