



The-Garage-Door-Lock.com

The Installation Manual

By Elocksys Inc.

**Read and follow all safety rules
and operating instructions before
first use of this product.**



The Garage Door Lock – Installation Manual

Table of Contents

1.0 Introduction and Overview

2.0 Safety

3.0 Components and Installation Tools

3.1 Garage Door Lock – Kit Components

3.2 Required Tools

3.3 Accessory Fasteners and Miscellaneous Hardware

3.4 Individual Components

4.0 Installation

4.1 Defining your Layout

4.2 Your wiring Connections

4.3 Installing your Individual Components

4.4 Connecting your Components

5.0 Configuring your Garage Door Lock System

6.0 Keypad Installation

1.0 Introduction and Overview Section

Foreword

The Garage Door Lock is an automatic deadbolt lock for your garage door.

As your garage door opener closes your garage door; the Garage Door Lock automatically propels a heavy-duty steel bolt into the track of your garage door.

This prevents the garage door from being opened even if the garage door opener emergency release is pulled. As you open your garage door with your garage door opener, the deadbolt lock is automatically retracted before the door opens. The Garage Door Lock integrates itself with practically almost all automatic garage openers.

Installation

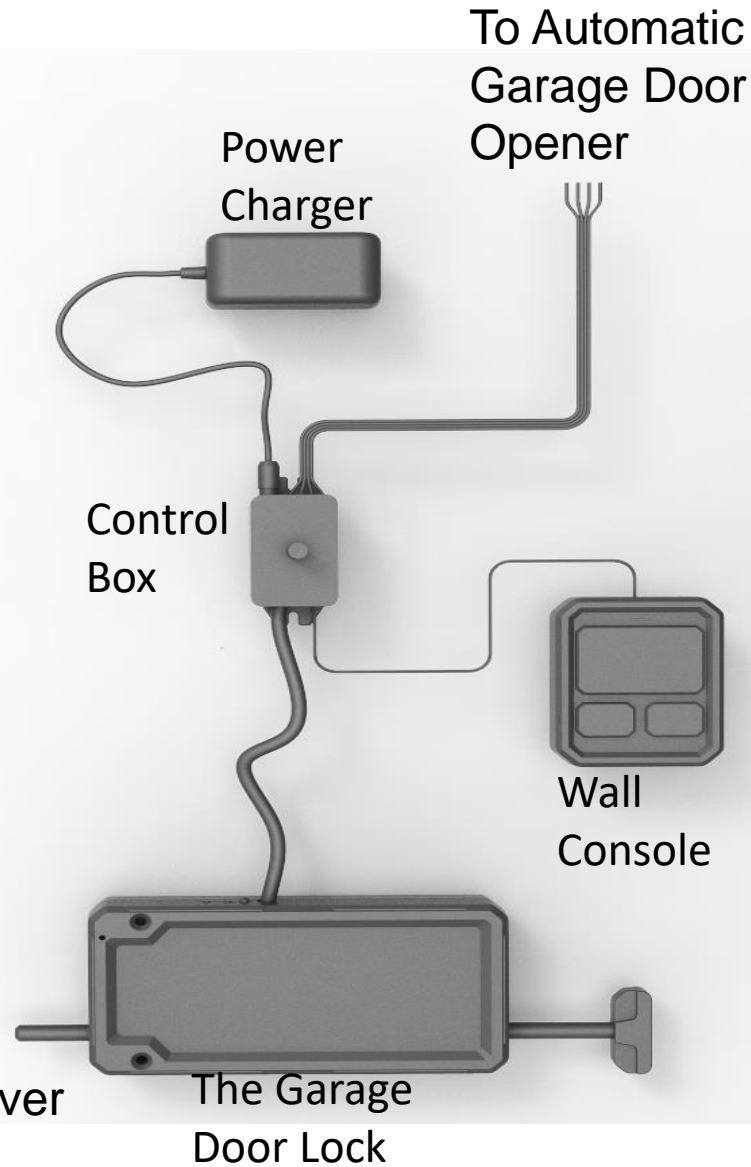
The installation will take about an afternoon for a first-time installer who is familiar with common tools (screw driver, wire strippers, tape measure, etc.). Or you can call us and if available in your location, we will refer you to an installer for service.

Please read the installation instructions for full details on what is involved.

The Garage Door Lock must be mounted to the inside of the garage door using the enclosed screws. Most garage door tracks have cut/break outs along the track or holes, if your garage door track does not have you may have to cut a hole in the track (this is for the bolt to throw into).

When you have an automatic garage door: You mount the **control box** close to your existing garage door opener. That includes the Power Charger.

The Garage Door Lock is generally Placed on the left Inside of the garage Door with a long coil and wire that must connect to the control box. The coil and wire weave their way up the garage door and over to the wall and/or ceiling, then attached to the control box.



The Key Pad is located outside the garage and is wireless Keypad



The Wall Console is generally placed near the door leading from the home. Make sure that you have plenty of wire to connect To the control box

The Simple View



2.0 Safety Section

Immediately take your current garage door opener controls and put them away. You will use only the current opener motor and drive components

- Read and follow all safety rules and operating instructions before first use of this product. Fasten the manual near the garage door after installation.
- Periodic checks of the garage door lock are required to ensure safe operation.
- This garage door lock has been designed and tested to offer safe service provided it is installed, operated, maintained and tested in strict accordance with the instructions and warnings contained in this manual.

Safety Guide

Immediately take your current garage door opener controls and put them away. You will use only the current opener motor and drive components



- When you see Safety Symbols on the following pages, they will alert you to the possibility of ***serious injury or death*** if you do not comply with the warnings that accompany them. The hazard may come from something mechanical or from electric shock. Read the warnings carefully.

- When you see this Safety Symbols on the following pages, ***it will alert you*** to the possibility of damage to your garage door and/or the garage door lock if you do not comply with the cautionary statements that accompany it. Read them carefully.

Safety, Warnings and Cautions

IMPORTANT INSTALLATION INSTRUCTION



! WARNINGS !

To reduce the risk of severe injury or death:

- ❖ Before servicing The Garage Door Lock, the garage door lock must be manually unlocked and disabled.
-
- ❖ Install The Garage Door lock only on properly balanced and lubricated garage door. An improperly balanced door may not reverse when required and could result in SEVERE INJURY or DEATH.
-
- ❖ All repairs if needed, to cables, spring assemblies and other hardware MUST be made by a trained door systems technician BEFORE installing the lock.
-
- ❖ NEVER connect garage door lock to power source until instructed to do so.
-
- ❖ NEVER wear watches, rings or loose clothing while installing or servicing lock or operator. They could be caught in garagedoor, lock, or operator mechanisms.
-
- ❖ To prevent possible SERIOUS INJURY or DEATH: ALWAYS call a trained door systems technician if garage door binds,sticks, or is out of balance. An unbalanced garage door may not reverse when required.
-
- ❖ ONLY operate garage door lock and operator at 110VAC 60HZ to avoid malfunction and damage.
-
- ❖ Without a properly working safety reversal system, persons (particularly small children) could be SERIOUSLY INJURED OR KILLED by a closing garage door.

Safety, Warnings and Cautions

IMPORTANT INSTALLATION INSTRUCTION



! WARNINGS !

To reduce the risk of severe injury or death:

- ❖ To prevent INJURY from pinching, Keep hands, and fingers away from the joints while installing and testing the lock system on the garage door.
- ❖ Review the SAFTEY GUIDE in the operator owners manual
- ❖ While installing THE GARAGE DOOR LOCK use common sense. If you are unclear on the instructions or if you do not feel comfortable installing the lock system contact a qualified service technician.
- ❖ Control box light bulb.
- ❖ Caution: Use 60watt max.
- ❖ Incandescent bulb only.

Safety, Warnings and Cautions FCC Regulations



! WARNINGS !

FCC Caution:

Any Changes or Modifications Not Expressly Approved by The Party Responsible For Compliance Could Void the User ' s Authority to Operate the Equipment.

This Device Complies with Part 15 Of the FCC Rules. Operation Is Subject to the Following Two Conditions:

- (1) This Device May Not Cause Harmful Interference, And
- (2) This Device Must Accept Any Interference Received, Including Interference That May Cause Undesired Operation.

Important Note:

FCC Radiation Exposure Statement:

This Equipment Complies with FCC Radiation Exposure Limits Set for the For An Uncontrol led Environment. This Equipment Should Be Installed and Operated With Minimum Distance 20Cm Between the Radio & Your Body.

This Transmitter Must Not Be Co-Located or Operating in Conjunction with Any Other Antenna or Transmitter.

Safety, Warnings and Cautions

FCC Regulations



! WARNINGS !

FCC Caution:

Note: This Equipment Has Been Tested and Found to Comply with The Limits For A Class B Digital Device, Pursuant to Part 15 Of the FCC Rules.

These Limits Are Designed To Provide Reasonable Protection Against Harmful Interference In A Residential Installation. This Equipment Generates, Uses and Can Radiate Radio Frequency Energy And, If Not Installed and Used in Accordance with the Instructions, May Cause Harmful Interference to Radio Communications.

Important Note:

However, there is no Guarantee That Interference Will Not Occur in A Particular Installation. If This Equipment Does Cause Harmful Interference to Radio or Television Reception, Which Can Be Determined by Turning the Equipment Off and On, The User Is Encouraged to try to Correct the Interference by One Or More of The Following Measures:

- Reorient Or Relocate the Receiving Antenna.
- Increase The Separation Between the Equipment and Receiver.
- Connect The Equipment into An Outlet on A Circuit Different from That to Which The Receiver Is Connected.
- Consult The Dealer or An Experienced Radio/TV Technician for Help.

Preparing Door Operator – **Do this now!!**



DO NOT IGNORE OR BYPASS THIS STEP.

FOLLOW THE INSTRUCTIONS BELOW. Failure to follow the instruction or disable the old remotes and keypads will result in a broken door, lock, operator, and may cause bodily injury.

•**2a Random Code:** Unlearn all remotes and keypads following the procedures from the manufacturer's manual or on the door operator near the learn button. (Refer to **page 42** of this manual for unlearning opener remotes and keypads.)

•**2b Fixed Code: (with dip switches)** Remove all batteries from existing remotes, key pad and store away.

• ***CAUTION: YOU MUST NEVER ATTEMPT TO OPERATE THE GARAGE DOOR OPERATOR WITH YOUR OLD REMOTES OR KEY-PAD AS LONG AS THE LOCK IS INSTALLED ON THE GARAGE DOOR.***

• Such attempts will jam the lock and door resulting in damage to the door or possibly the door operator. See Warning Sheet.



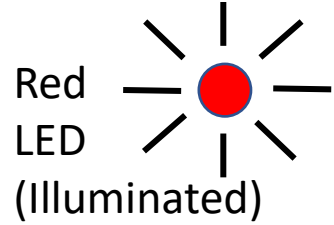
Warning: YOU MUST NEVER ATTEMPT TO OPERATE THE GARAGE DOOR OPERATOR WITH YOUR OLD REMOTES OR KEY-PAD AS LONG AS THE LOCK IS INSTALLED ON THE GARAGE DOOR.

- IF THE DOOR OPERATOR DOES NOT ACTIVATE TO OPEN WHEN THE WALL SWITCH, NEW KEYPAD OR NEW REMOTES ARE PRESSED. DO NOT ATTEMPT TO USE THE OLD REMOTES. DO NOT ATTEMPT TO BYPASS THE WALL SWITCH OR CROSS CONNECT THE TERMINALS IN AN EFFORT TO TROUBLESHOOT THE OPERATOR.
- THE LOCK MUST BE MANUALLY UNLOCKED AND THE OPERATOR RELEASE CORD OR LEVER MUST BE DISENGAGED BEFORE TROUBLE SHOOTING STEPS ARE TAKEN.

3.0 Components and Installation Tool Listing Section

- We are introducing our components first as an overall system, **3.1 Garage Door Lock System Components**
- Followed by required installation tools that most homeowners / garage door installers would use to install the system, **3.2 Required Tools Needed by the Installer.**
- **3.3 Accessory Fasteners and Miscellaneous Hardware**
- Finally we provide detailed illustrations the individual component to assist in the installation, **3.4 Individual Components**

3.1 Door Lock System Components



The Garage Door Lock



Remote



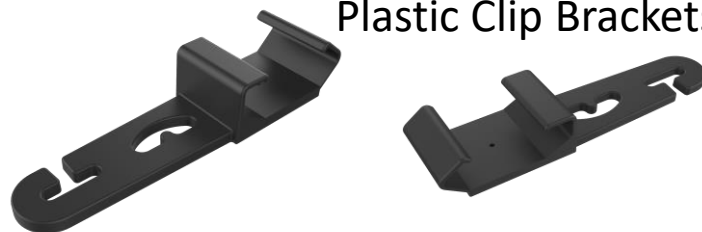
Wireless Key Pad



Control Box



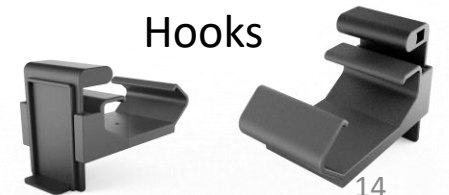
Plastic Clip Brackets



Wall Console



Hooks



3.2 Required Tools for Installation



5/16 Socket Driver



Side Cutters



Wire Strippers



7/16" Wrench



#2 Philips Screwdriver



16" Tape Measure

#0 Philips Screwdriver



3.2 Required Tools for Installation



Medium Metal File



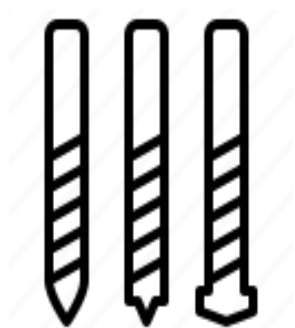
Keyhole Metal Saw

Step Ladder

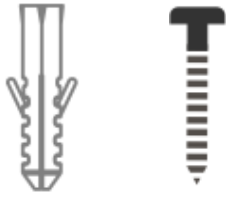


Drill

- #2 Philips Bit
- 5/6" Drill Bit
- 3/8" Drill Bit (to cut bolt hole)
- 1/8 Drill Bit



3.3 Accessory Fasteners and Miscellaneous Hardware



Pan Philips and Anchor



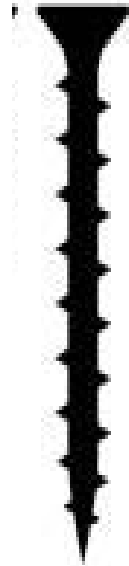
#8 x 1 5/8 Drywall
Screw



36" Bell Switch Wire



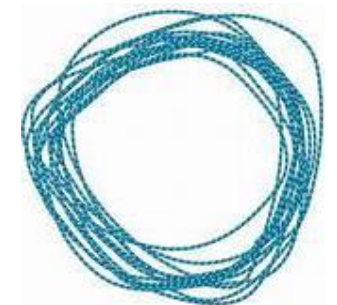
#8 x 2 inch screw hook



#12 x 3 inch hex head
mounting screws



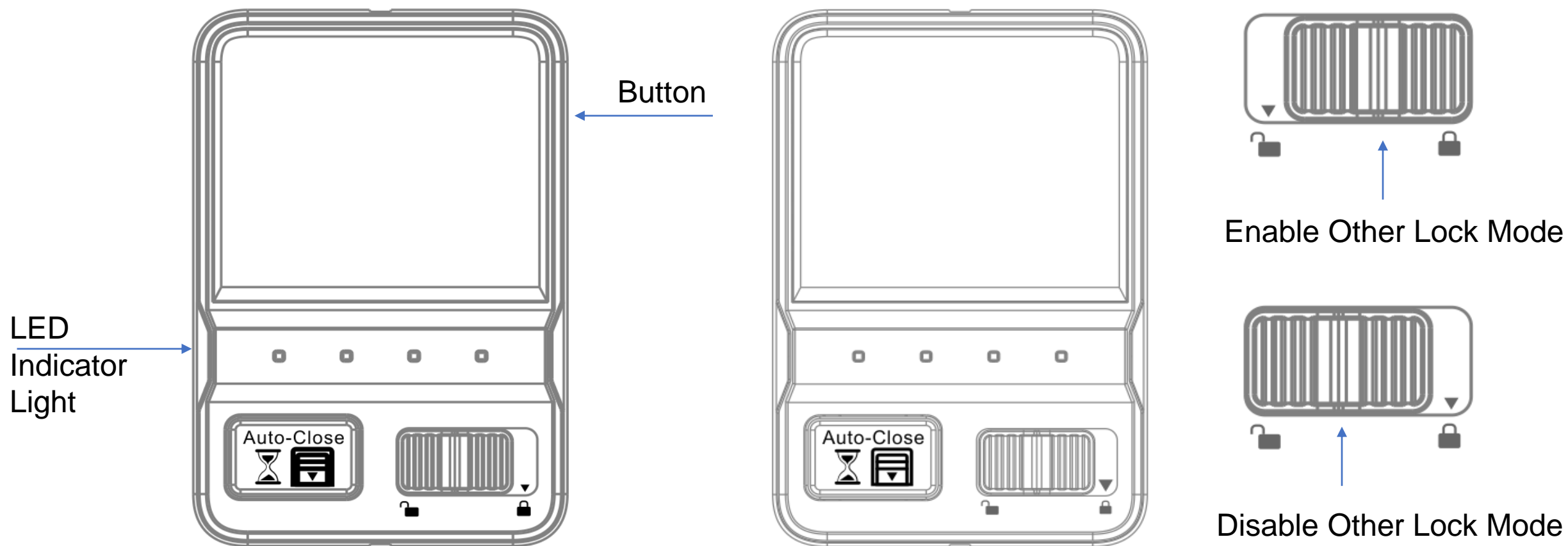
#6 x 3/4 inch pan Philips
(use with #5 one hole straps)



Nylon String

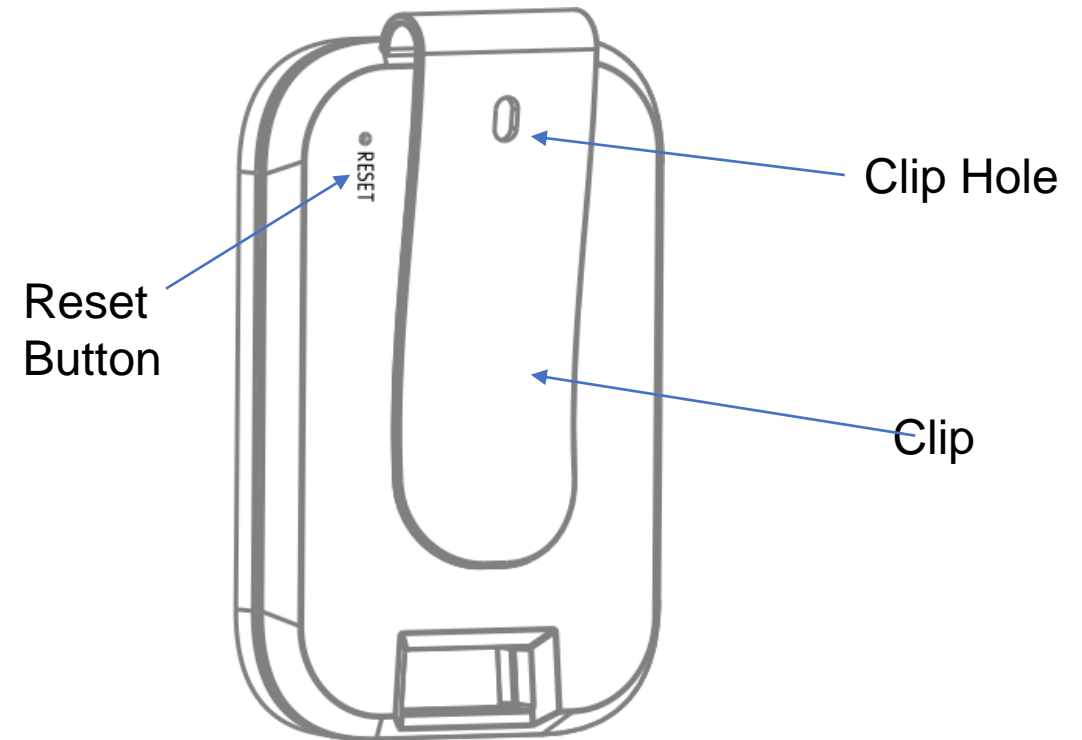
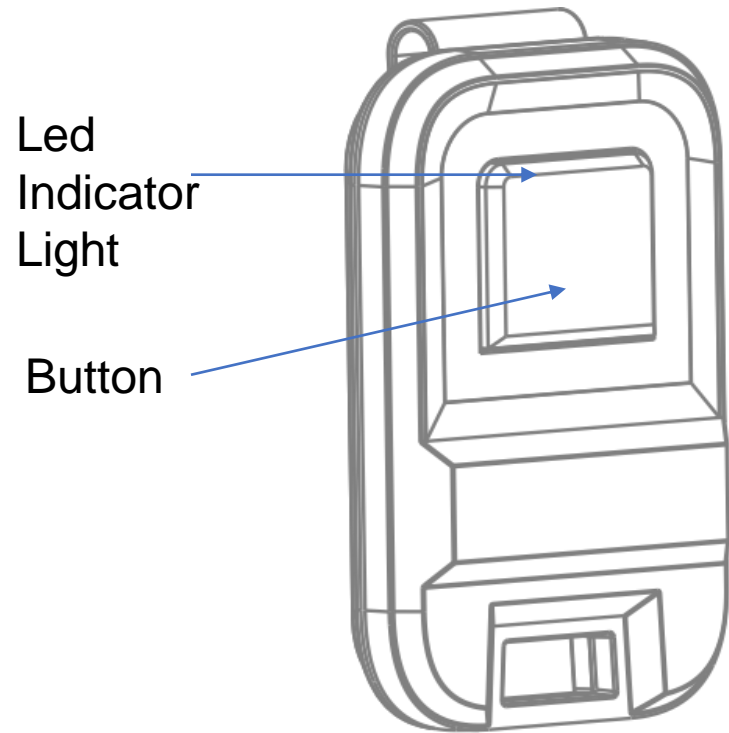
3.4 Individual Components

Wall Console



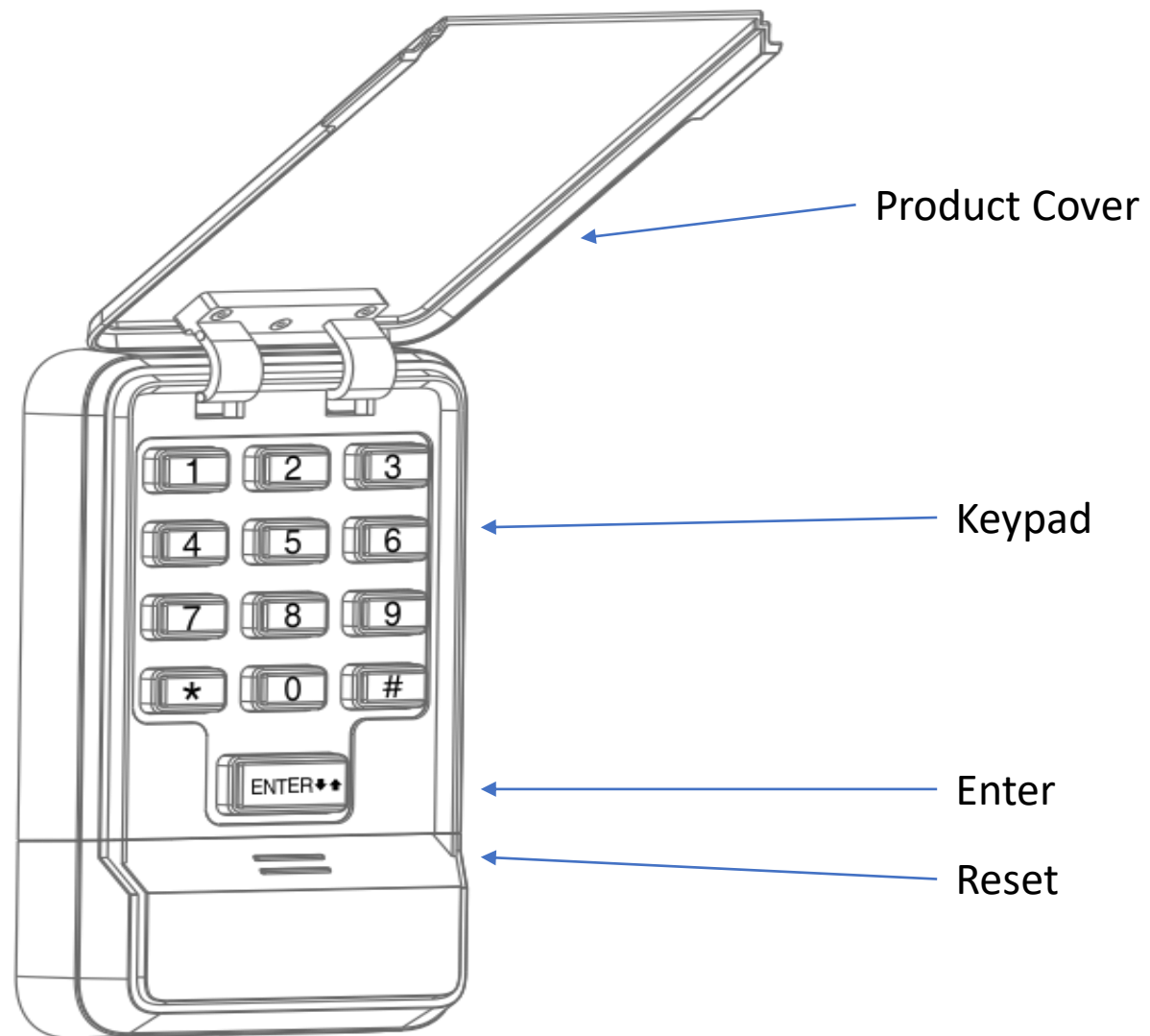
3.4 Individual Components

Remote Control

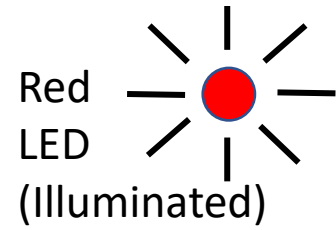


3.4 Individual Components

Wireless Key Pad



3.4 Individual Components

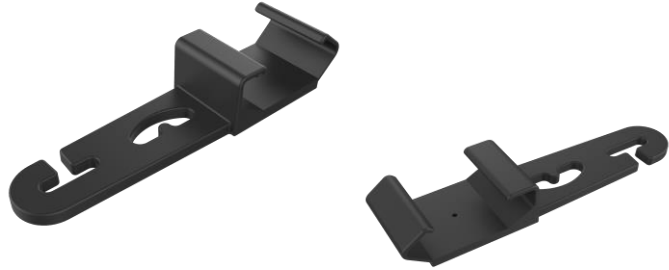


Control Box

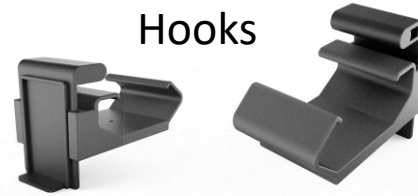


3.4 Individual Components

Plastic Clip Brackets



Hooks



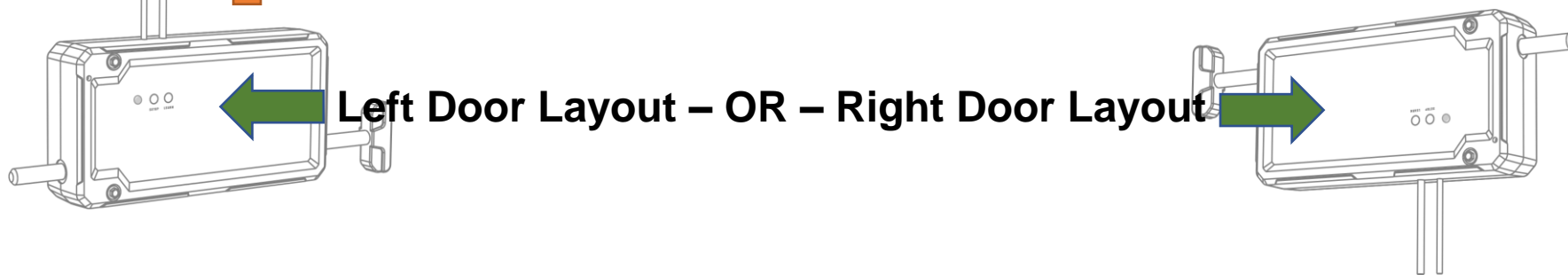
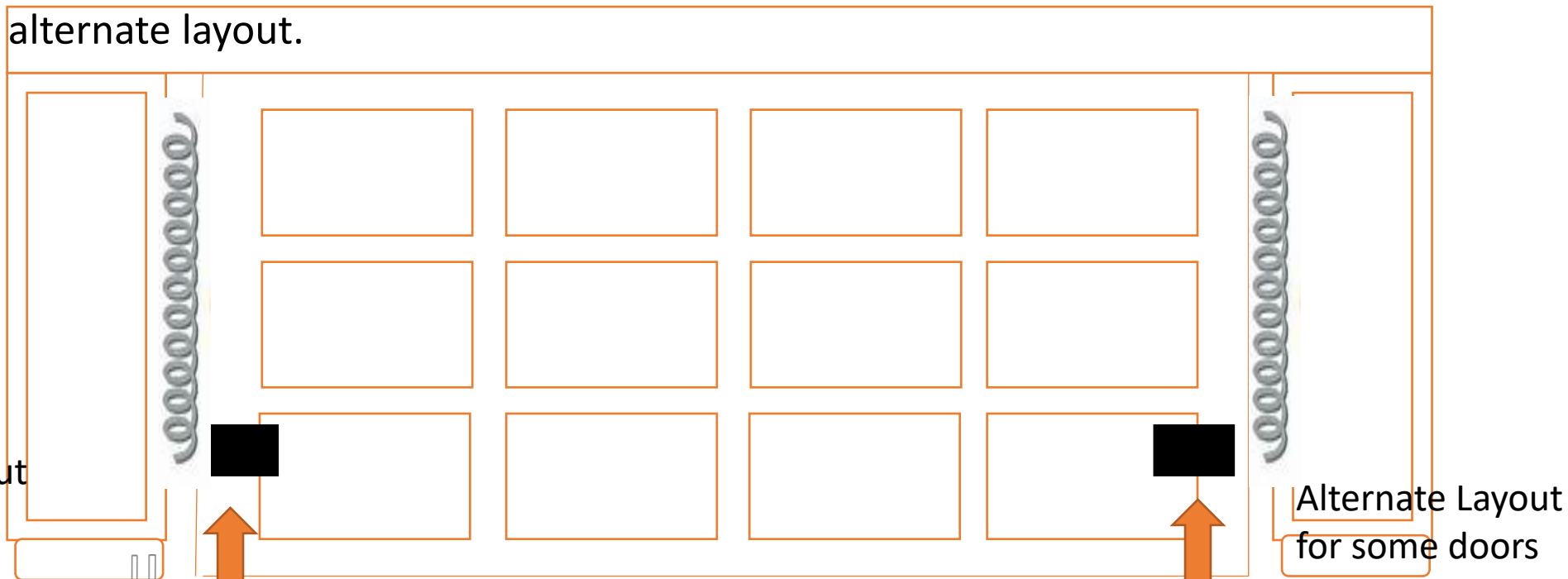
4.0 Installation – Installation Section

This section consists of:

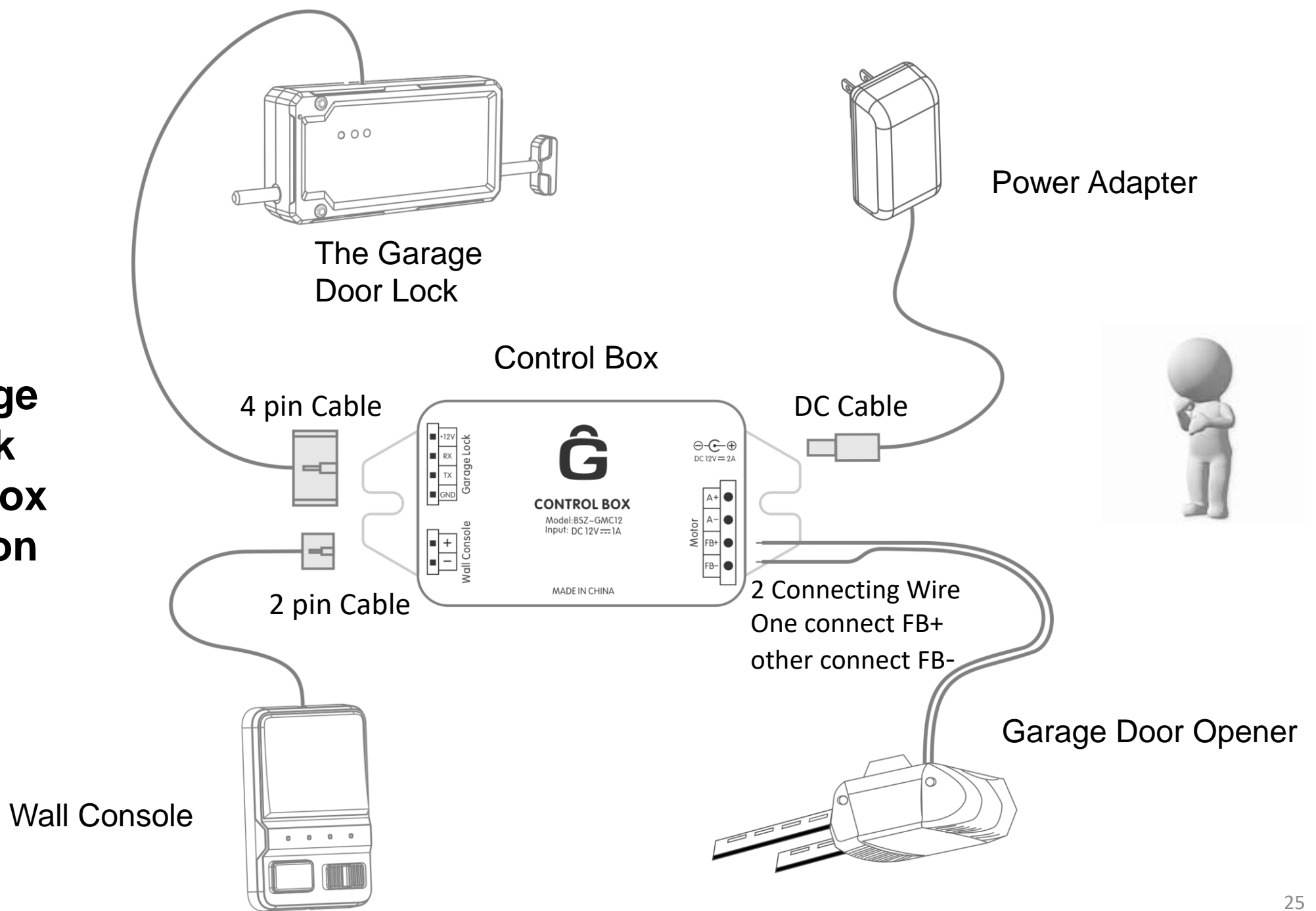
- 4.1 Defining your Layout and Wiring Connections – Which side of the garage door is best for your garage
- 4.2 Installing your Individual Components
- 4.3 Connecting Components

4.1 Defining your Layout and Wiring Connections

The preferred location for your new door lock is on the left side of the door (looking toward the outside). Sometimes lack of external wall space can shift layout to right side of the door; If this is the case, you will also have to orient your magnet to accommodate alternate layout.



The Garage Door Lock Control Box Connection Diagram



4.2 Installing your Individual Components

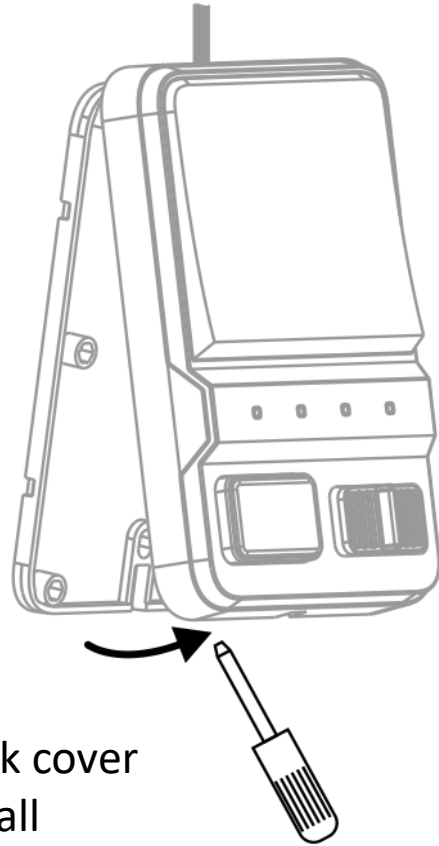
Whether installing a Left Door Layout (preferred) or a Right Door Layout (because your garage orientation), you still will have to install the individual components. We are going to use the Left Door Layout to illustrate Installation of Individual Components (Notes will be included to differentiate when a Right Door Layout occurs).

4.2.1 Wall Console Installation

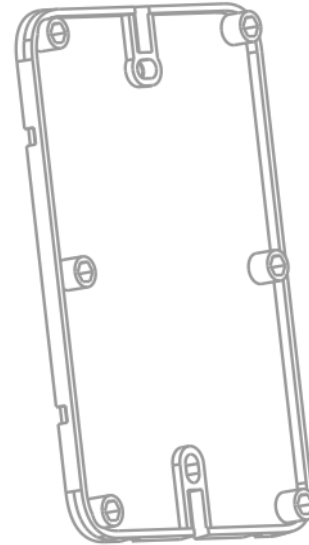
4.2.2 Wireless Key Pad Installation

4.2.3 Garage Door Lock Installation

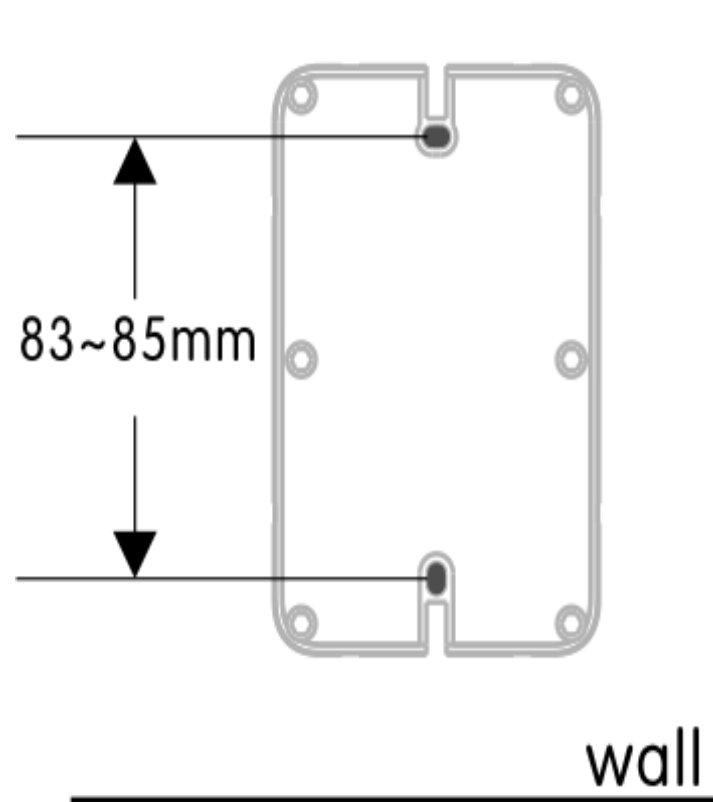
4.2.1 Wall Console Installation



Pry the back cover
from the wall
console with a
screwdriver



4.2.1 Wall Console Installation - A

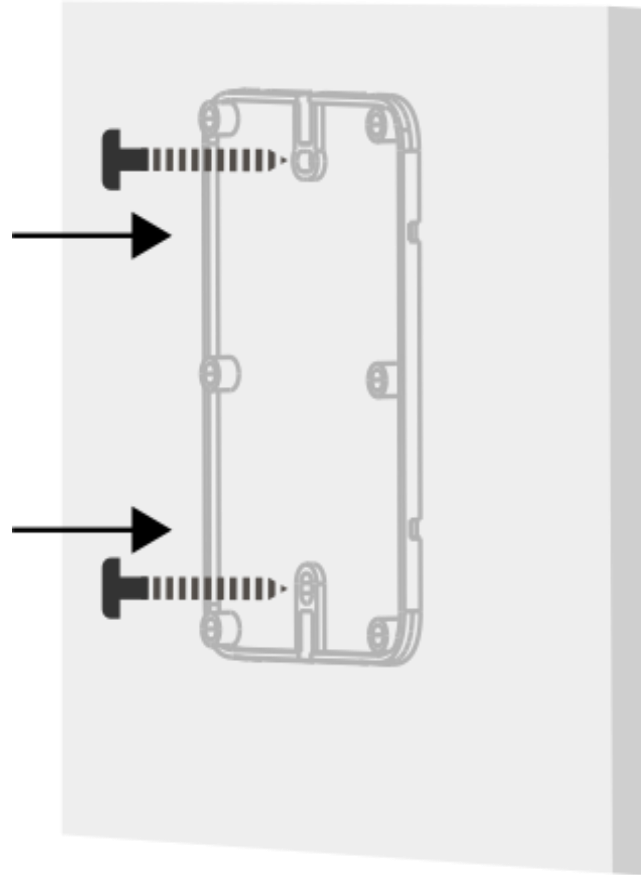


Punch a hole in the wall
and put the expansion
screws in the hole

4.2.1 Wall Console Installation – A1

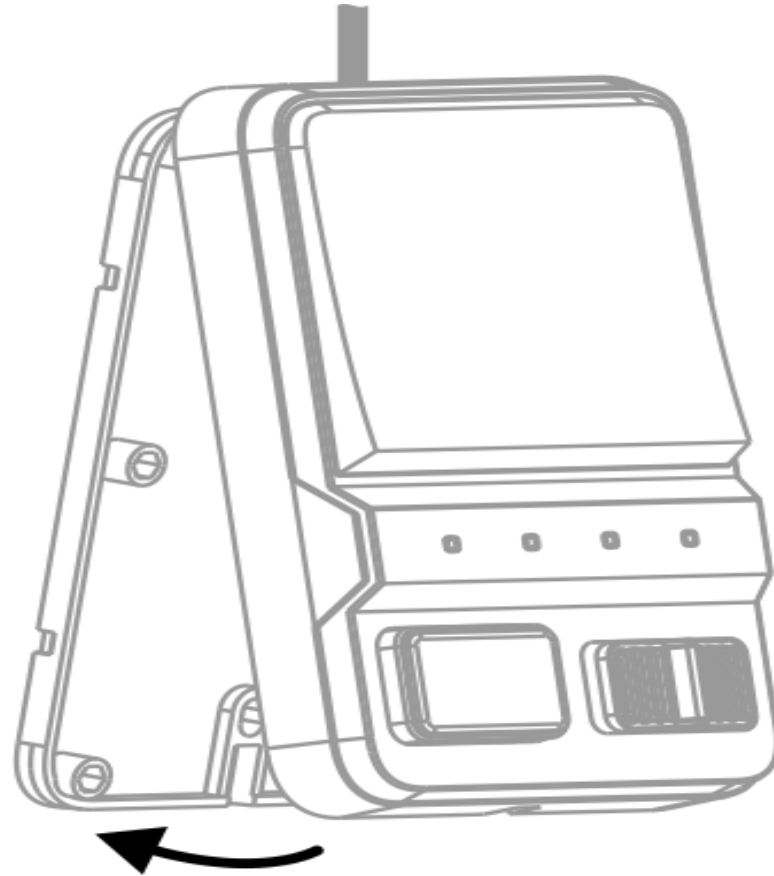


Fasten the back cover
on the wall with matching
screws

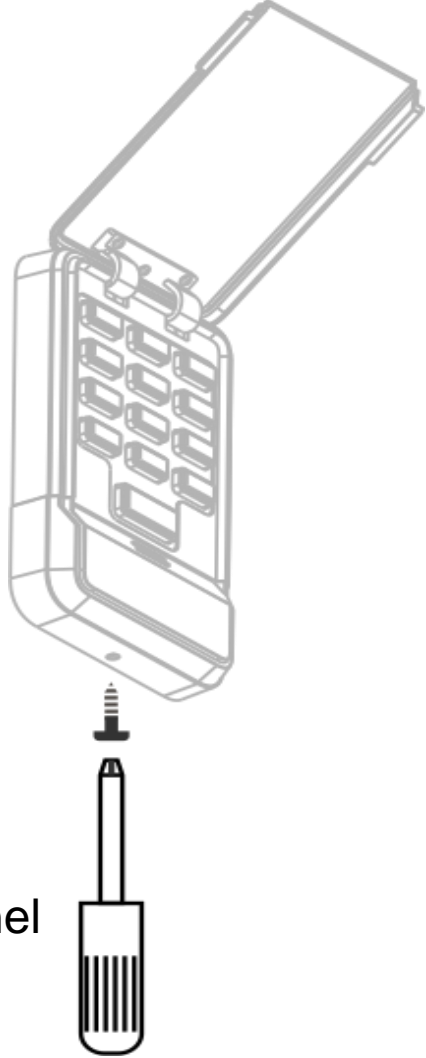


4.2.1 Wall Console Installation – A2

Put the wall console back and clasp the back cover

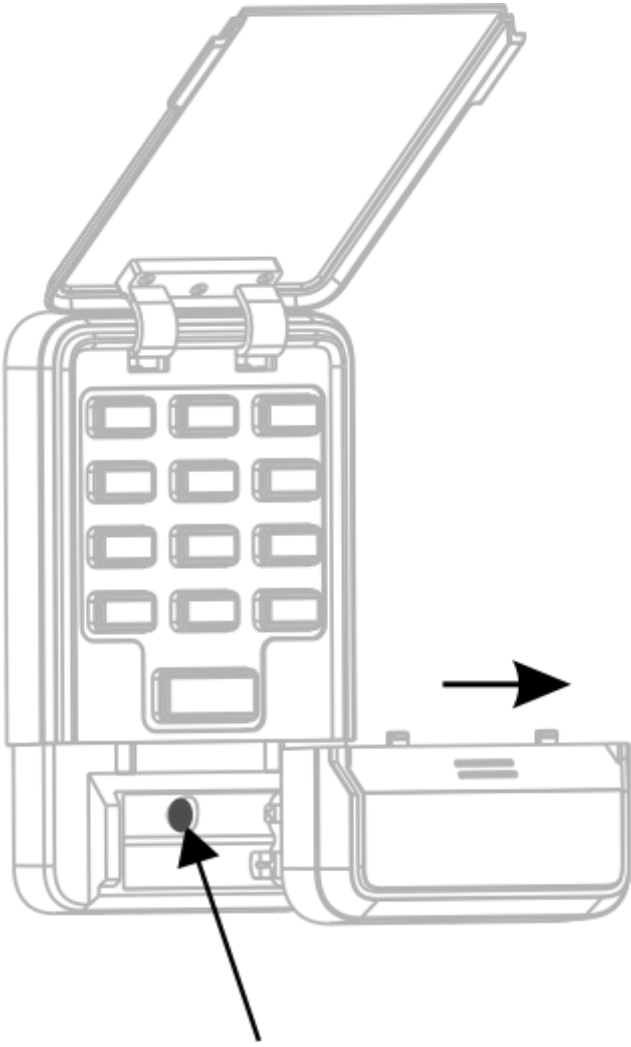


4.2.2 Wireless Key Pad Installation – B1



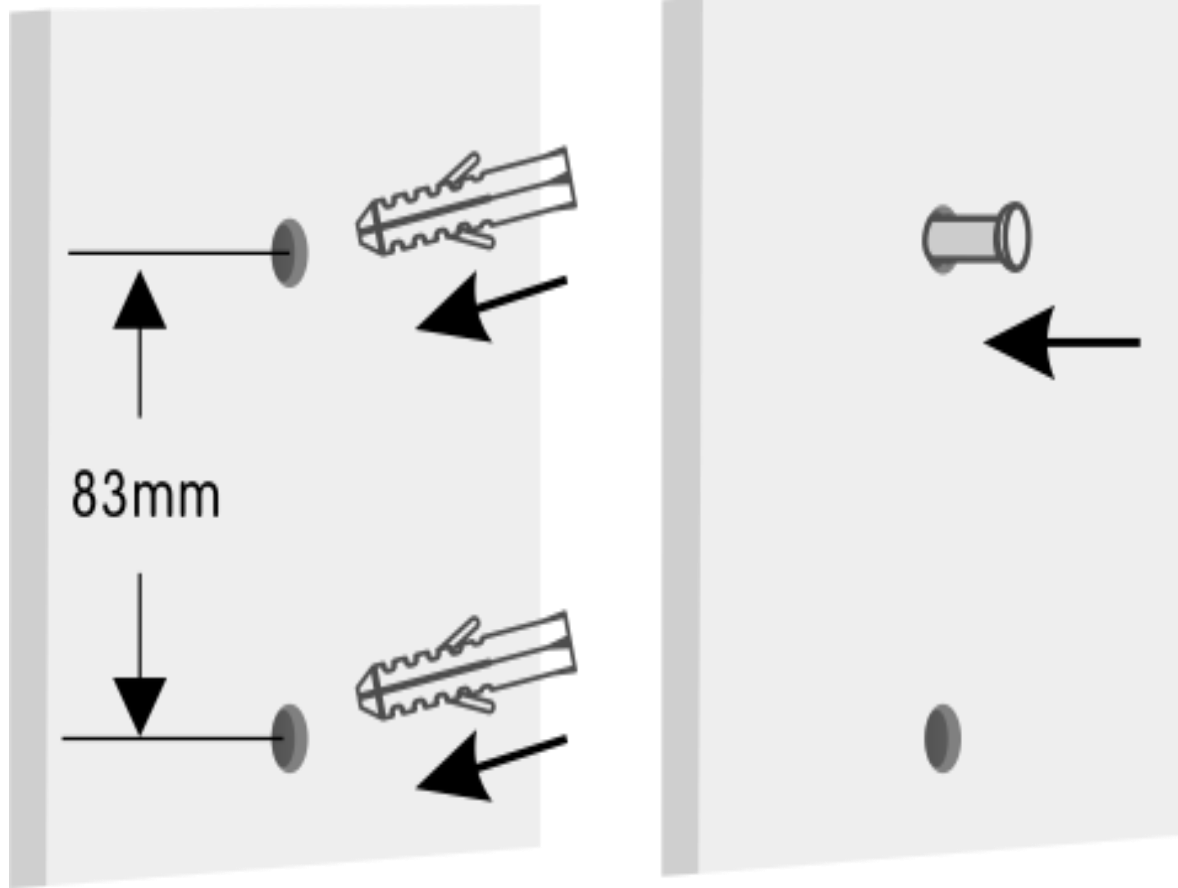
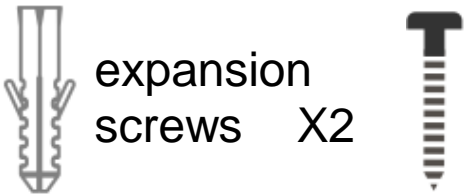
Use a screwdriver to loosen the screws at the bottom of the panel

There is a screw hole in the middle of the battery hole

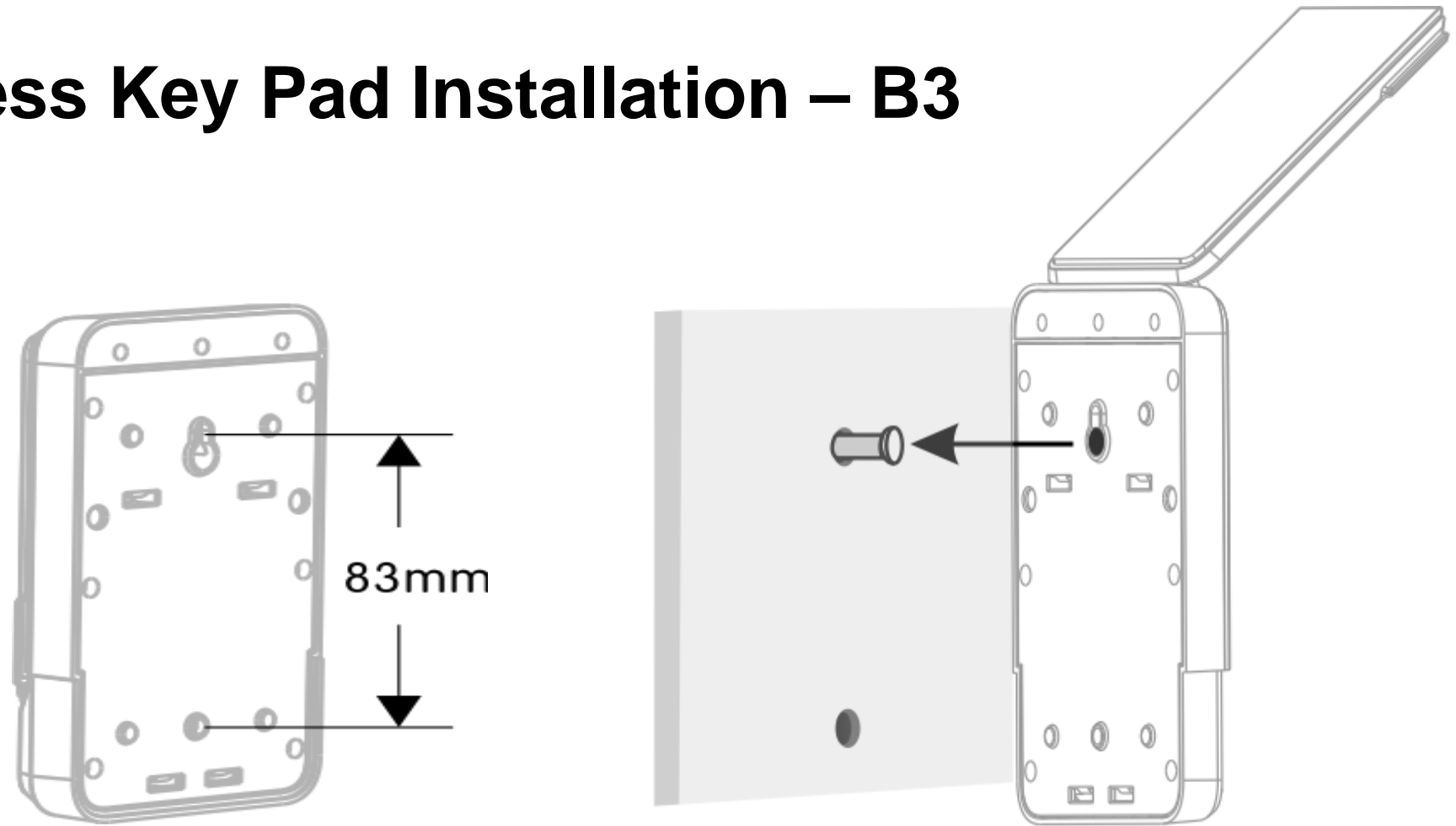


4.2.2 Wireless Key Pad Installation – B2

1. Punching a hole in wall.
2. Put expansion screws in the hole.
3. Fasten the screws in the wall and leave about 5mm for hanging the panel



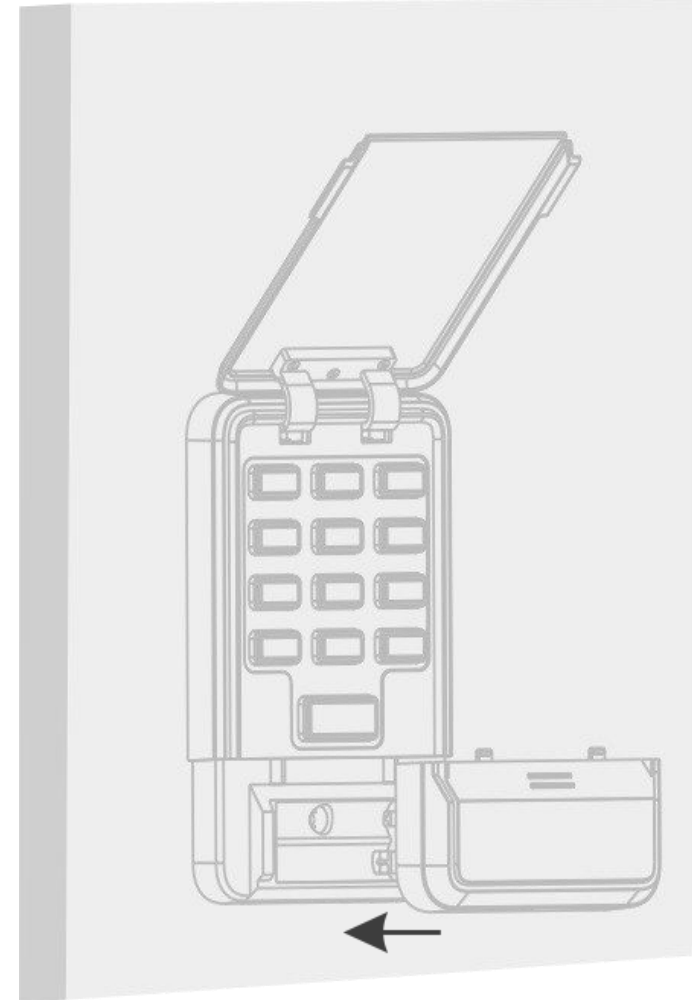
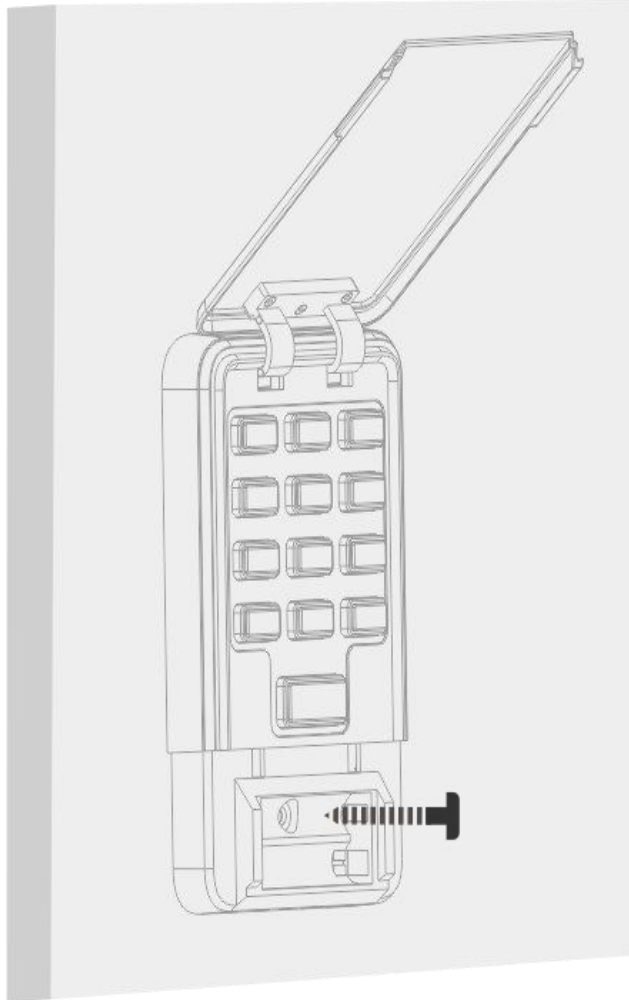
4.2.2 Wireless Key Pad Installation – B3



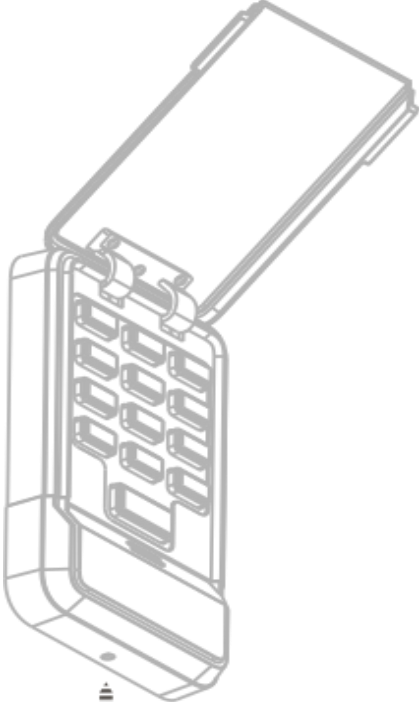
Make sure that there are 5mm for hanging the panel

4.2.2 Wireless Key Pad Installation – B4

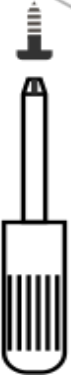
Finally, place the internal screw and slide the cover over.



4.2.2 Wireless Key Pad Installation- B5



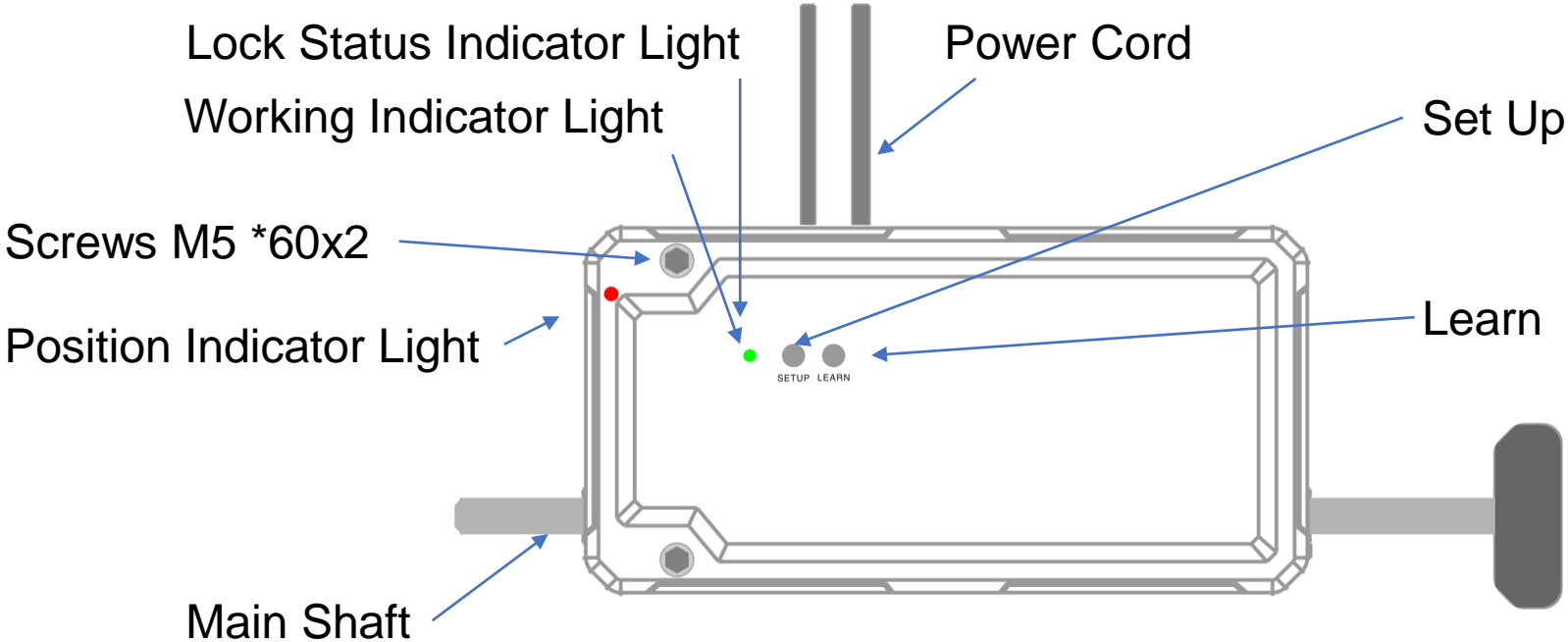
Close the battery cover with the screw



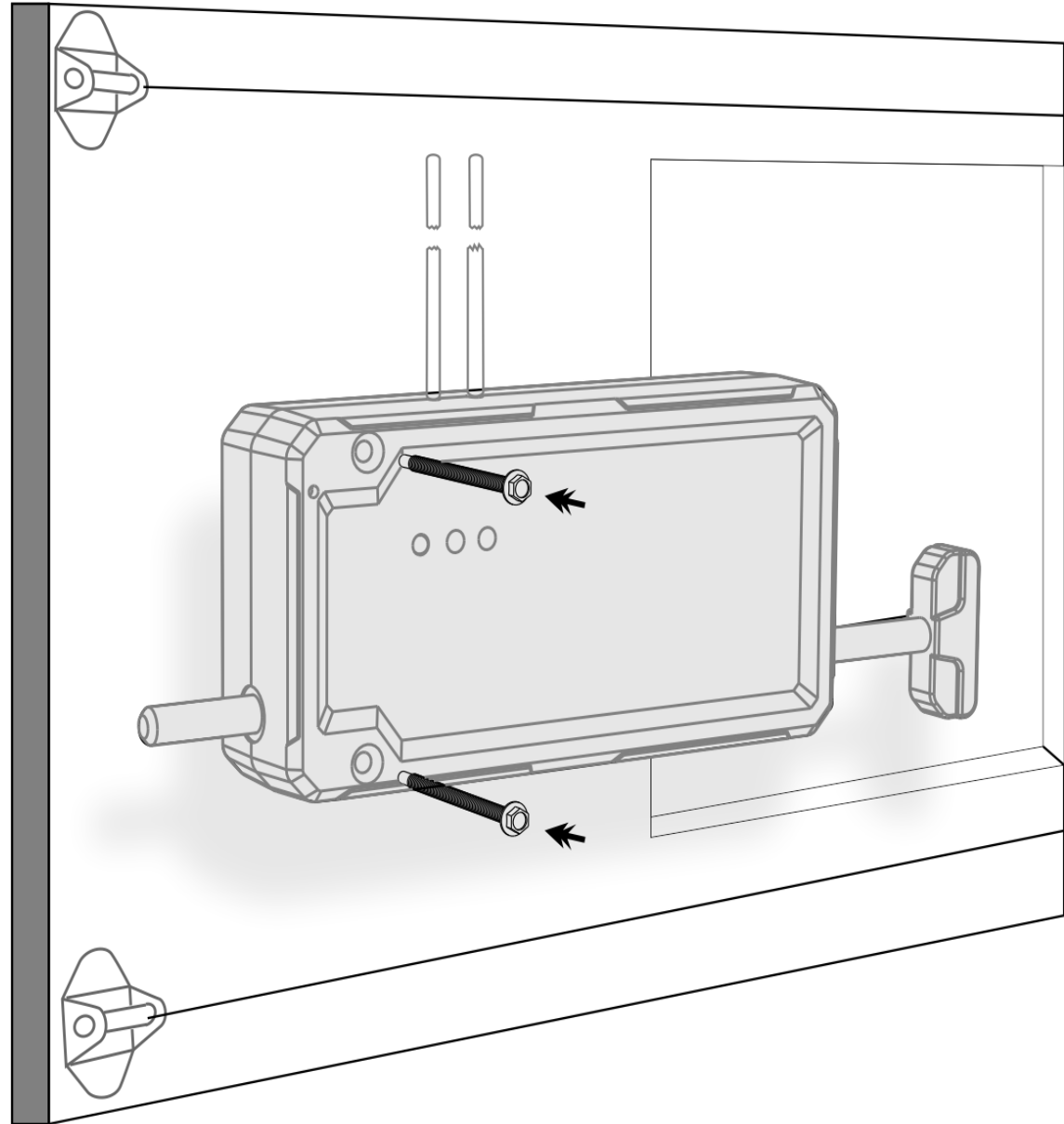
4.2.3 GARAGE DOOR LOCK Installation



4.2.3 GARAGE DOOR LOCK Installation



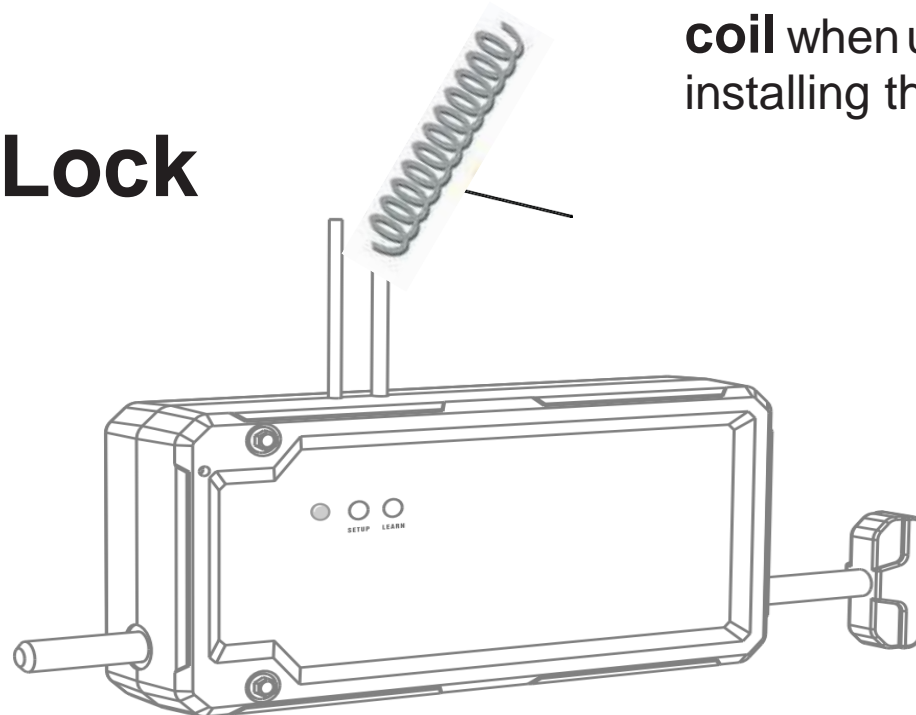
4.2.3 GARAGE DOORLOCK Installation Details



Unpack your GARAGE DOORLOCK.com - Step 1

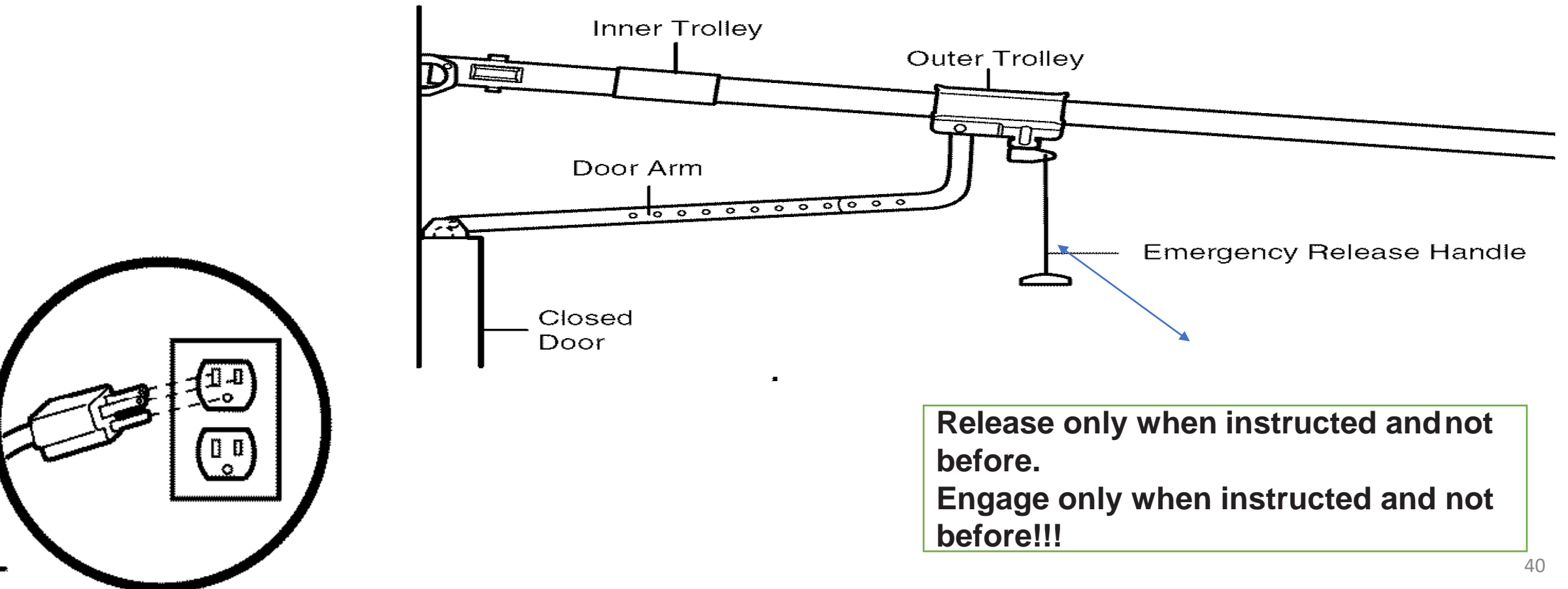
- **1a Unpack contents** from box taking extreme care not to bend or kink wire cable/coil. Lay lock assembly on floor inside garage with door closed.
- **1b Prepare to place your lock on the left** of your garage door.
- **1c Stop and double check** to see if you have the correct lock kit for your garage door (roll up or one piece), **operator** (random or fixed code) and that **door size matches the lock size**. This step is also used for one piece door installation.

GDL Lock



Preparing the Door - Step 2

- **2a Unplug original garage door opener** (not the GARAGE DOORLOCK.com) from 110 AC outlet. Do not pull release rope on operator until instructed to do so.
- ** Note: For Wayne Dalton I drive and all wireless indoor control wall console models, stop here and follow instruction **on pages 43 and 44.**

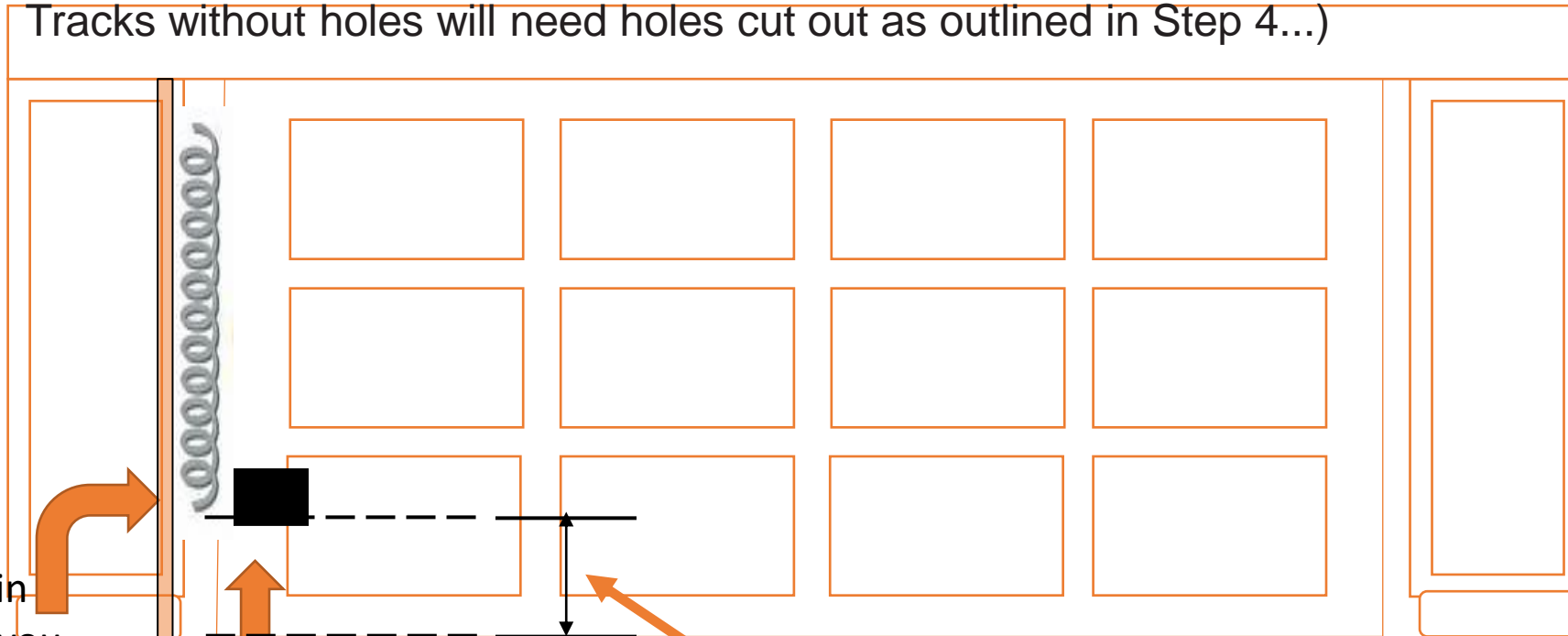


**Release only when instructed and not before.
Engage only when instructed and not before!!!**

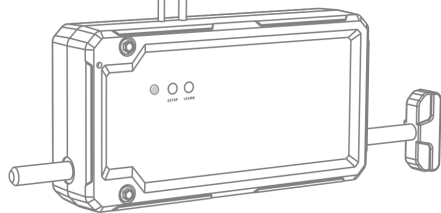
Identifying the correct Receiver Holes for GARAGE DOORLOCK.com - Step 3

3a Locate Pre-drilled Receiver Holes placed in the track (Not all tracks have pre-made holes.

Tracks without holes will need holes cut out as outlined in Step 4...)



Look for holes in the door track you Will be working with



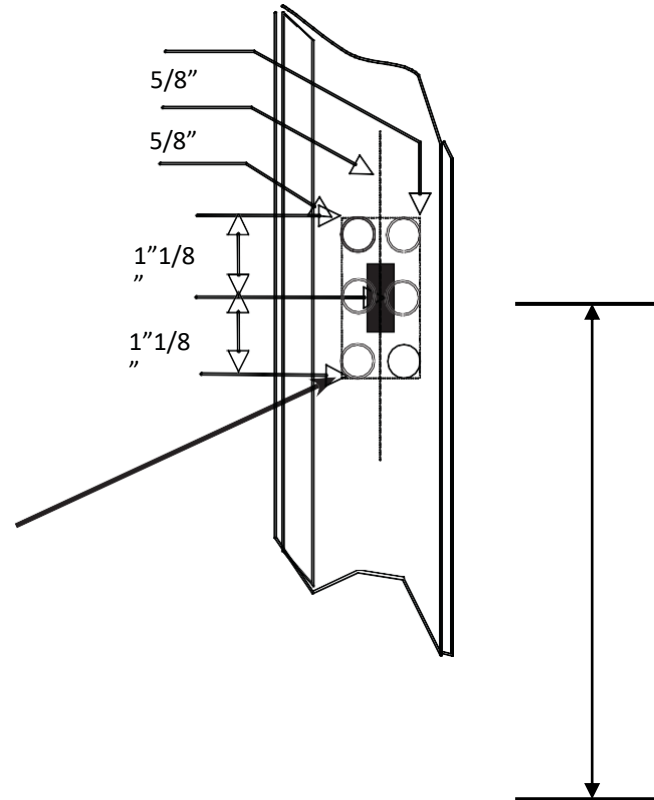
Receiver Holes are located in the door track and are typically 30" to 36" from the bottom of the garage door when it is closed

Manually Drilling the Receiver Holes in the Track - Step 4 (Optional Step if Receiver Holes are not pre-drilled)

- **4a Manually retract the dead bolt**, pull release rope on garage door opener to disengage door. Lift door manually. (Skip this step if you already have the receiver holes.)
- Close door and operate lock manually, look for the dead bolt to extend through the receiver hole. (See figure this page). Be sure receiver hole is clean with no jagged edges. Use the file to clean up hole edges.

(Figure this page - The Garage Door Lock alignment on left track)

Suggestion for making receiver hole. Drill six 3/8 inch diameter holes inside of your marks. Then cut between the holes and finish edge with a metal file. Do not leave bent or uneven edges

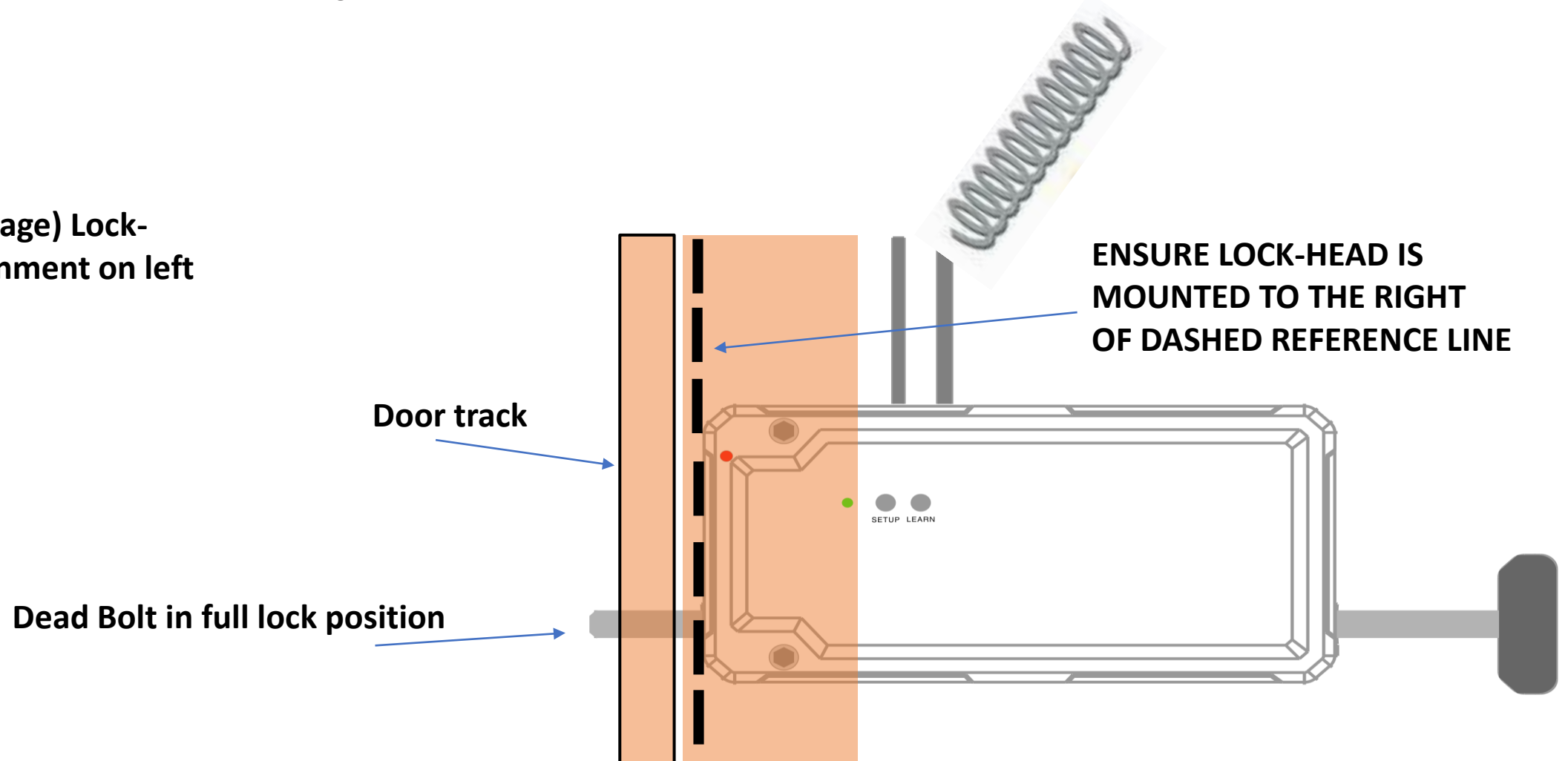


Receiver Holes are typically 30" to 36" from the bottom of the garage door when it is closed

Mounting the Garage Door Lock - Step 5

5a Locate any existing lock receiver hole or precut knockouts in the door track and manually move lock to it's full lock position (see figure this page). Insert dead bolt into receiver hole in track and center it vertically. Make sure lock does not interfere with any hinges or hardware. Now mount lock head A aligning with mark made in step 4 using 3" mount screws. Make sure dead bolt is centered in hole.

(Figure this page) Lock-head (A) alignment on left track



Mounting Plastic Bracket Clip to Track – Step 6

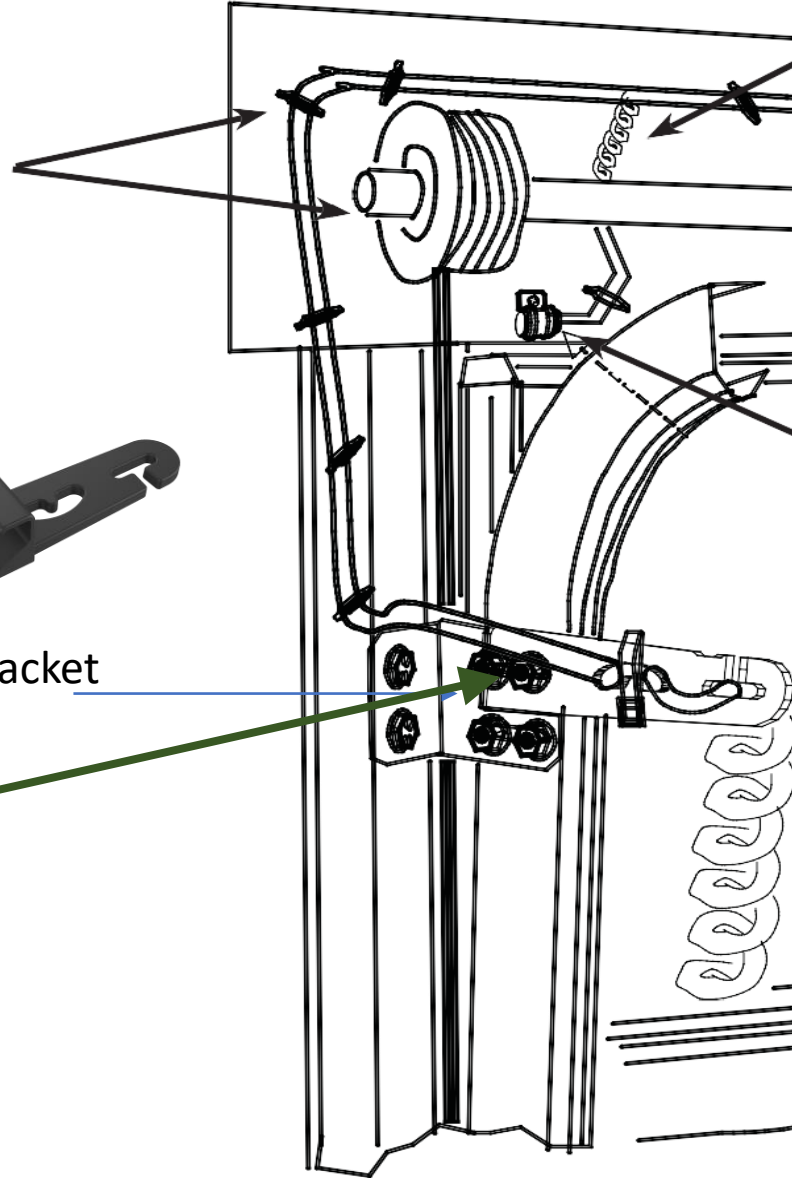
Remove 2 bolts from track near top of door on left track. Mount bracket. (See **Figure this page**). Stretch and attach wire as shown (**Figure this page**).

Attaching wire to
Garage
Door Frame and Plastic
Clip Bracket



Plastic Clip Bracket

Delete Bolts and Nuts



Note: Some doors have a cable bracket that wraps around in front of the door track. For these doors you may need to use the **optional mounting location**.

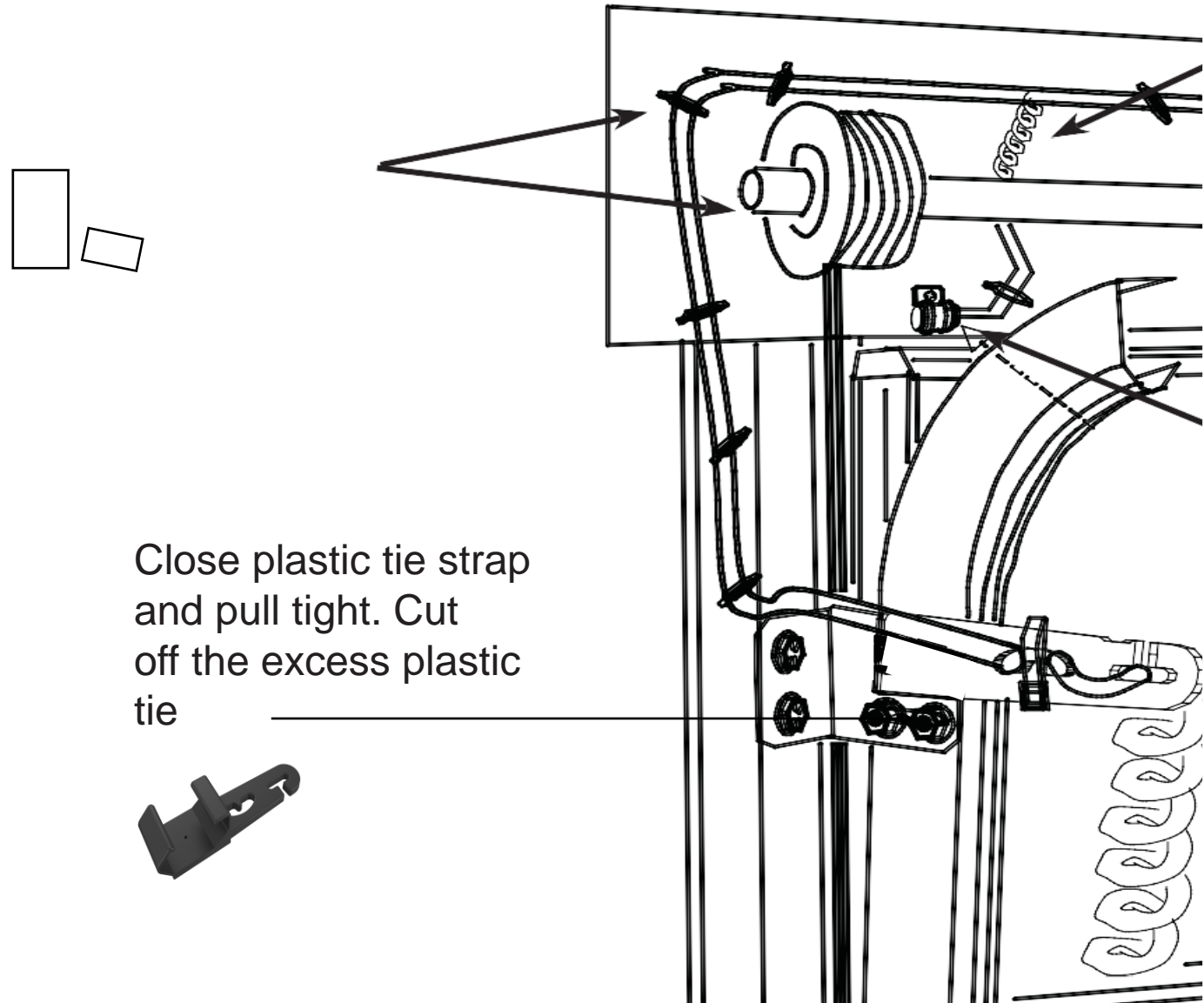
Optional mounting location for some door applications, Drill two 5/16" holes.

Insert the new carriage bolts through from the inside of the track out. Make sure the bolt heads seat completely so the garage door rollers do not contact and bind.

Normal mounting location: Place the plastic wire bracket on the outside of the track as shown. Use new nuts and bolts supplied with kit

Mounting Plastic Bracket to Track- Step 6B

(Figure this Page) Attaching Wire To Plastic Bracket



Bottom track section
Thread the plastic tie between the U- loop and the plastic bracket.

Bend a U-loop in the Straight Part of the wire and thread it through the Plastic bracket

Slip the last coil end through the plastic bracket

Close plastic tie strap and pull tight. Cut off the excess plastic tie

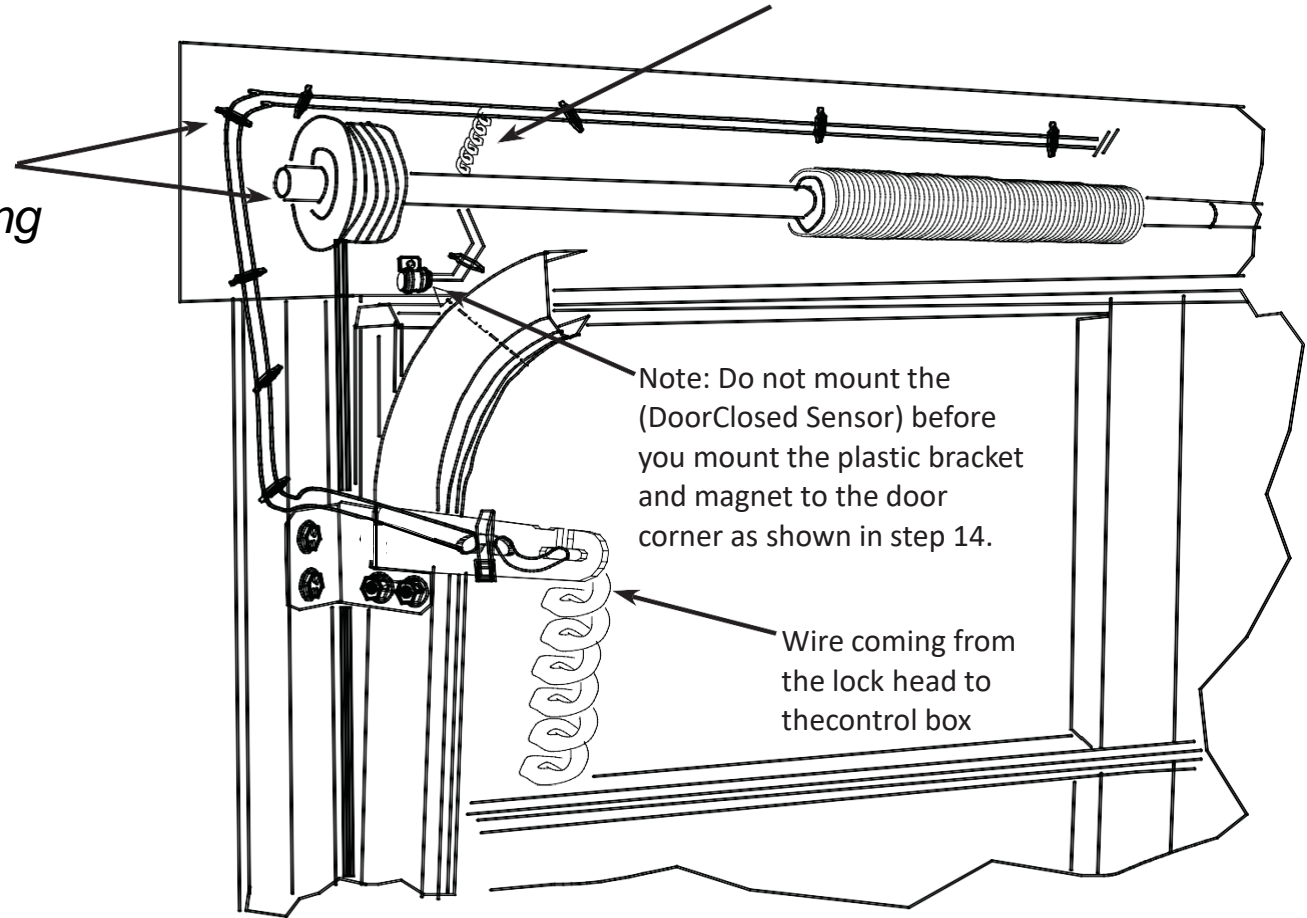
Routing Wire - Step 7

Carefully route wire up the wall, around track and drum assembly. Fasten wire to header using four of the plastic one hole straps. Follow diagram for wire routing see figure 6.

Step 7 Routing and attaching Wire on the wall

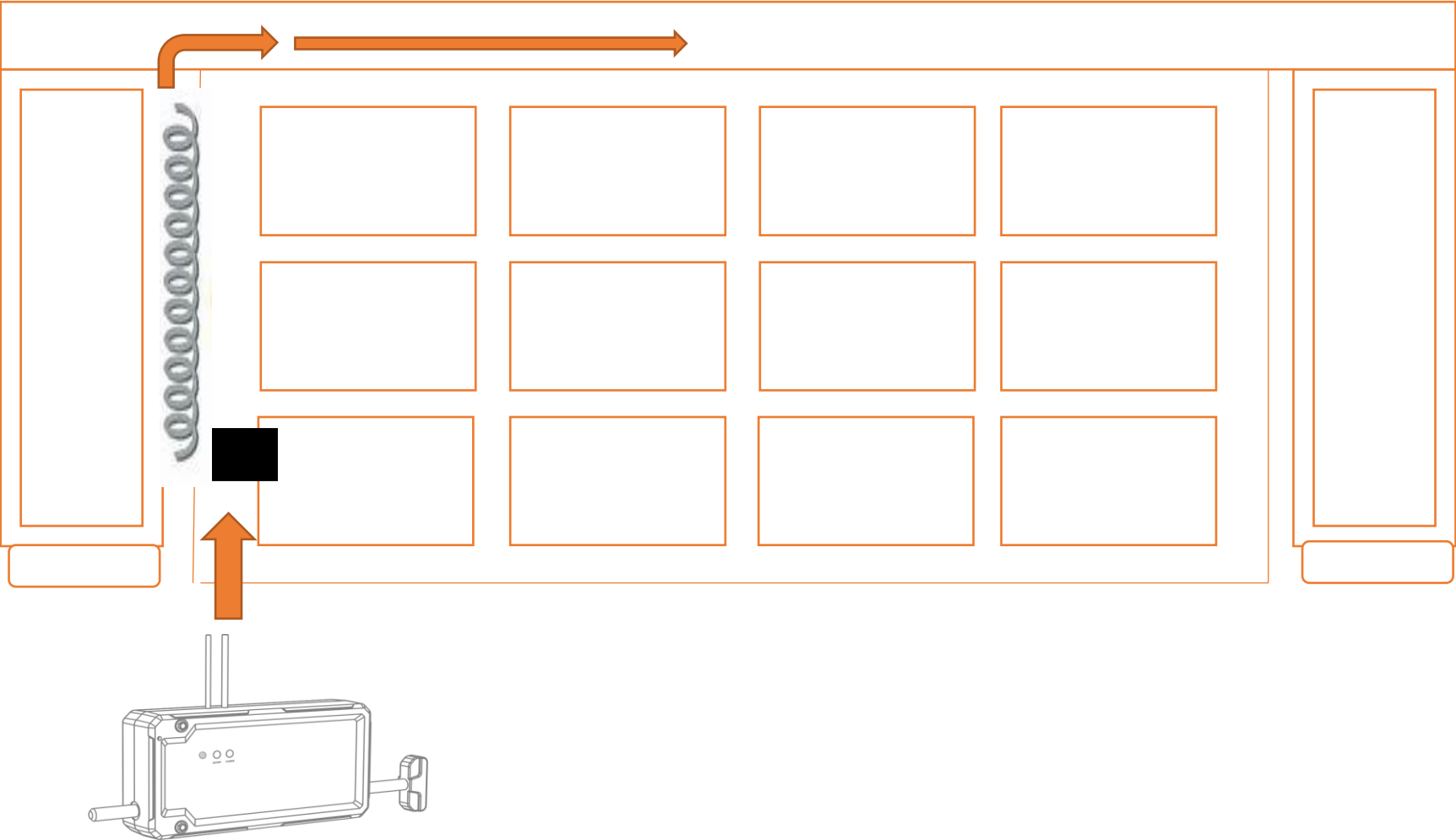
Make sure to clear the drum and hardware but route wire over the shortest possible distance, *making sure not to come up short at the control box.*

Wrap the sensor wire around a Phillips screw driver to train the wire into a neat coil-cord before attaching the sensor to the header. Do not mount until instructed to do so.



Routing the Wire

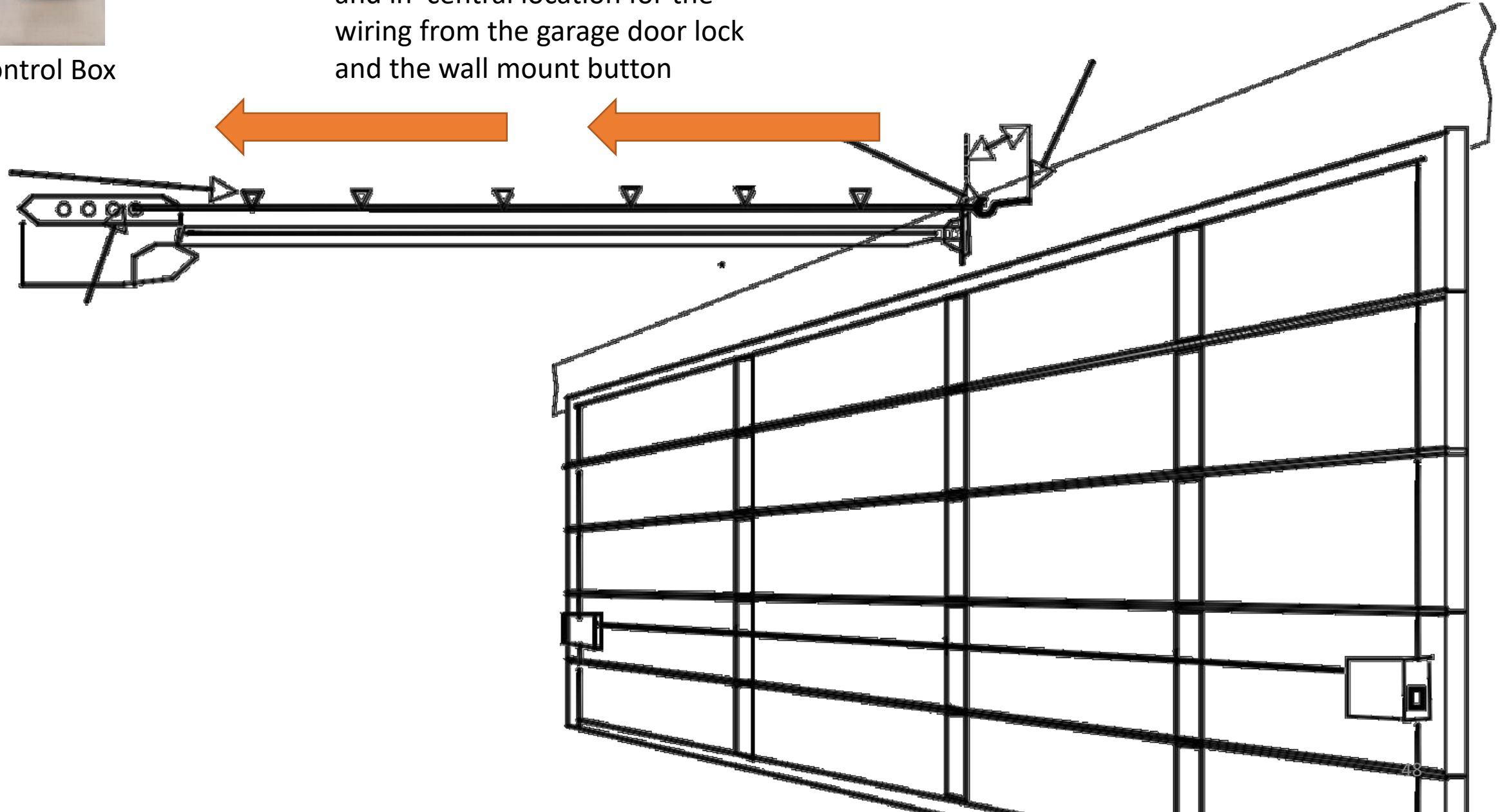
Wire in direction to control box



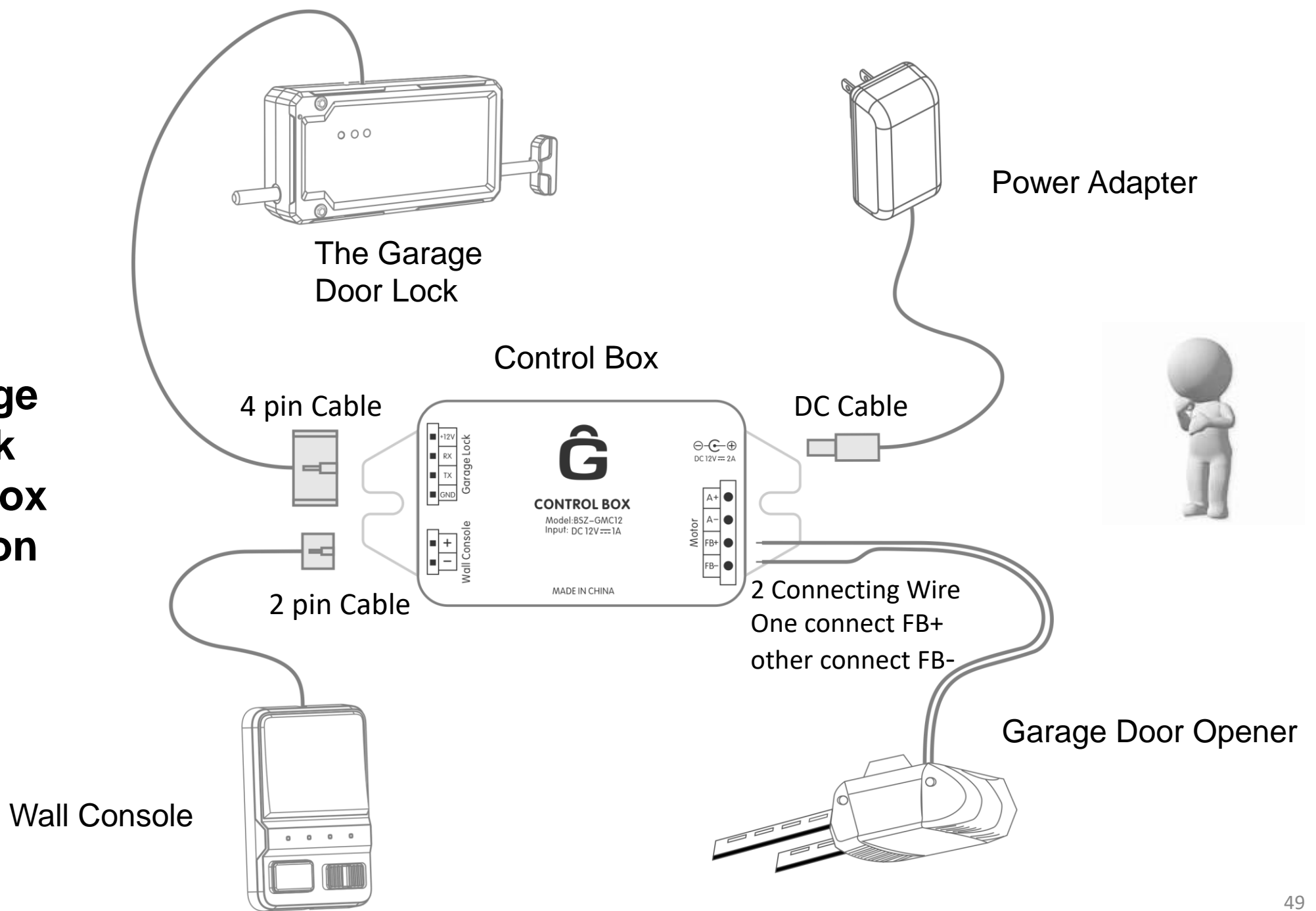


Control Box

Find a spot near an electrical outlet, the garage door opener and in central location for the wiring from the garage door lock and the wall mount button



The Garage Door Lock Control Box Connection Diagram



Control Box



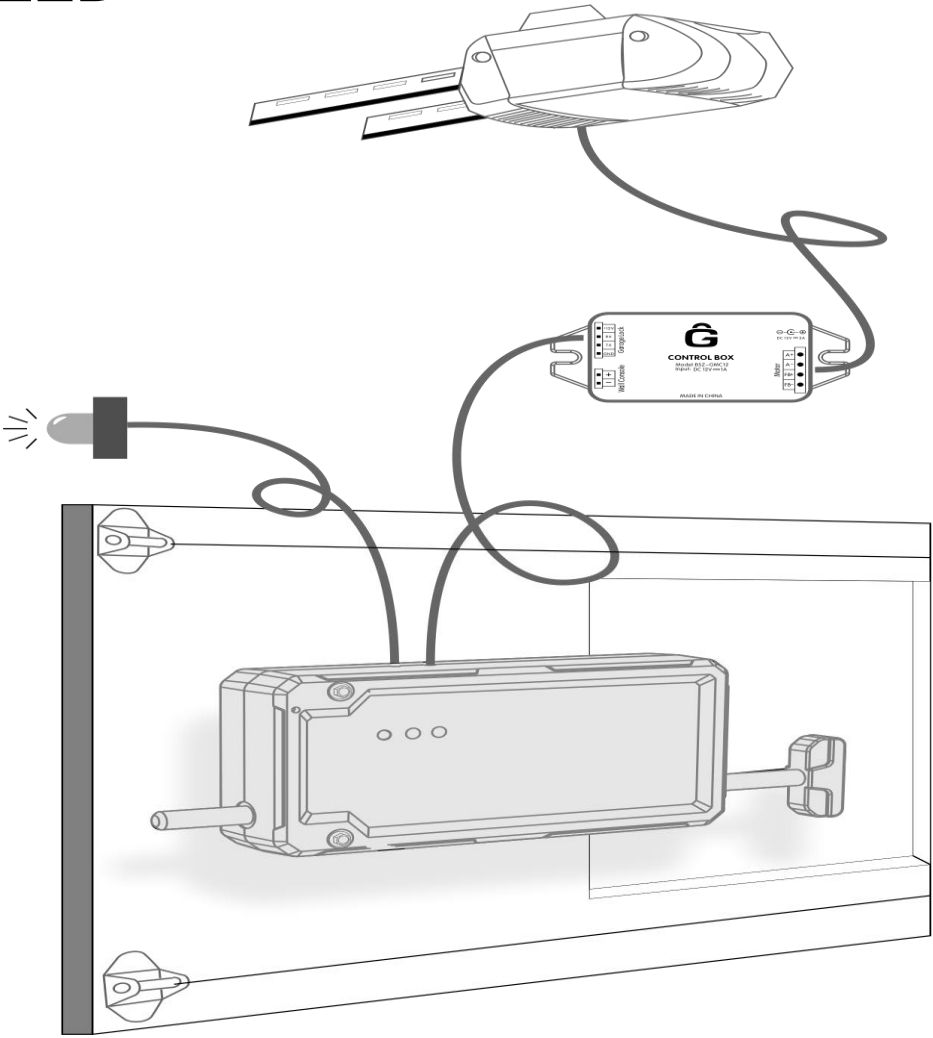
Right Side



Left Side



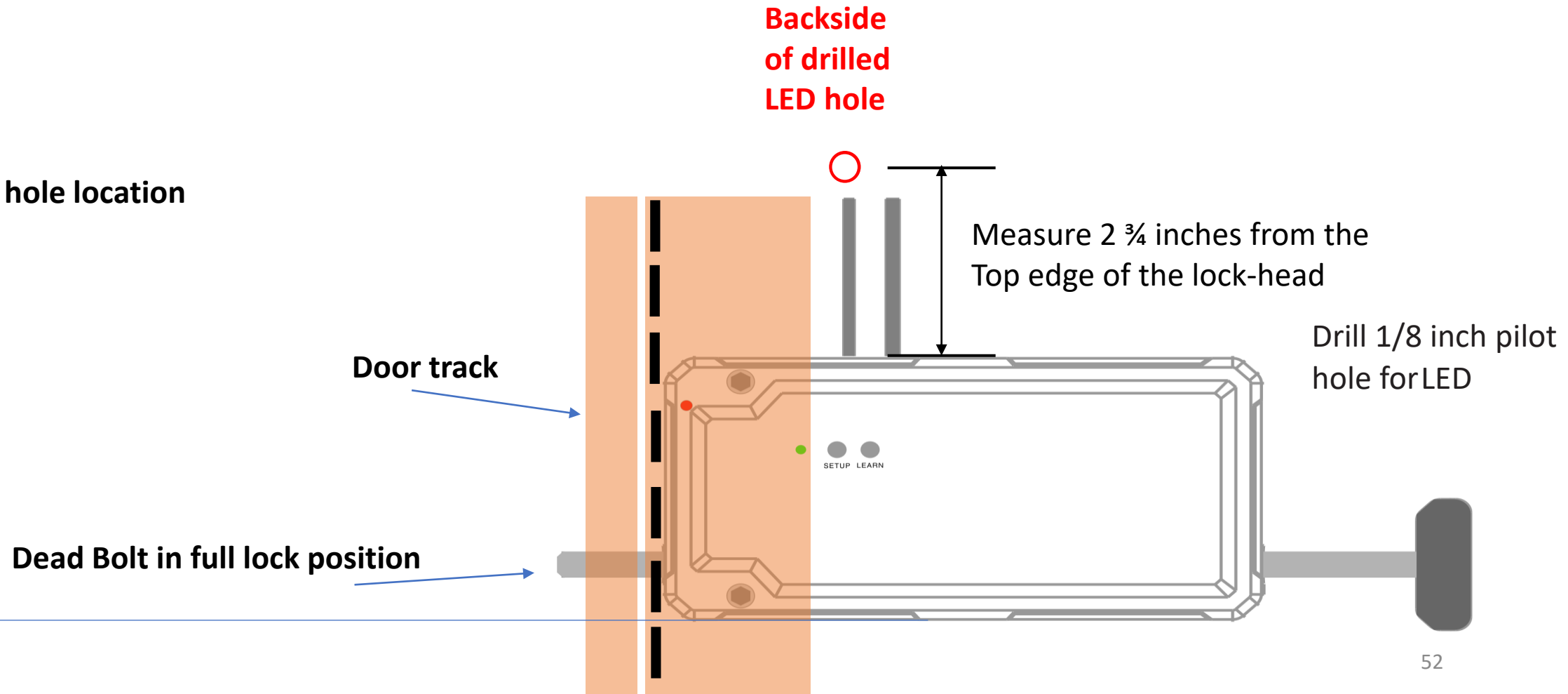
The Garage Door Lock LED Wiring Diagram



Installing RED LED Light - Step 8

Locate pilot hole using measurements in the figure on this page. From inside of door, drill through door, with 1/8" pilot hole. From outside of door drill 5/16" hole using pilot hole reference.

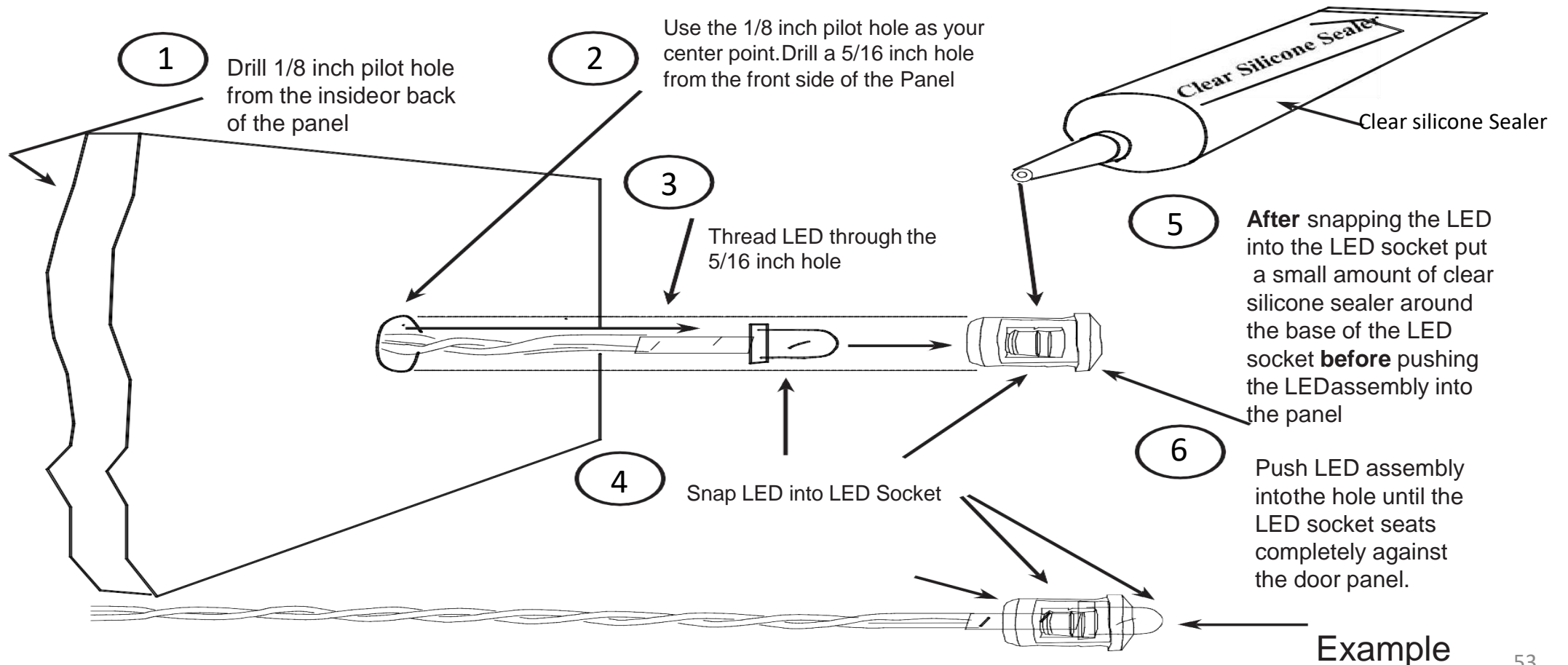
Figure 10 LED hole location



Installing Red L.E.D. - Step 9

Insert LED from inside through hole. Hold LED mount firmly & insert LED into its own holder. To prevent rust, apply silicone to LED mount & insert complete assembly into hole. Wipe off excess silicone,

Figure 11



Step 10 – Powering up. Plug Operator into the garage door lock electrical control box and then plug in the garage door lock control box into the 110V AC outlet.

Step 11 – Learning Remotes. Learn all remotes following procedures in Operating Instruction (learning and unlearning remotes to control box).

Step 12 – Latch the Door to Rail. Latch door back into operator. Release catch to reconnect door with operator. (reconnect emergency release on operator)

Step 13 – Operational Check. Operate door using remote or bell switch to check operations

Caution: Never attempt to open door with any other remotes or keypads – other than the garage door lock remotes – supplied with lock kit or optional keypad

**End of One
Piece doors**



5.0 Configuring Your Door Lock Section

This section consists of:

- 5.1 Learning and Unlearning

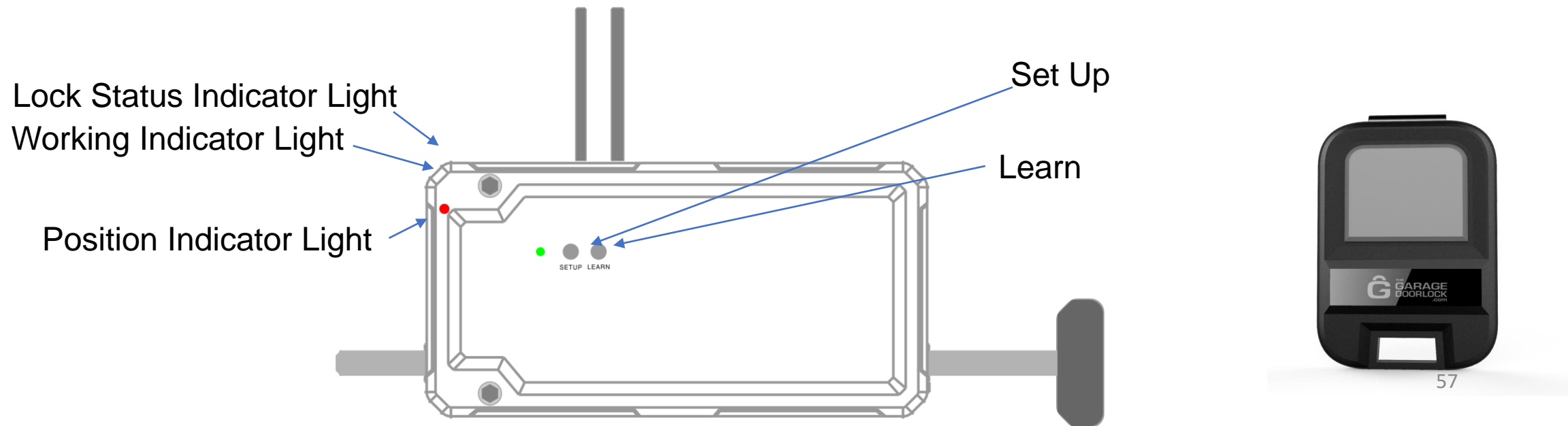
- 5.2 Power Failure

The Garage Door Lock – Learning and Unlearning

5.1 TO LEARN the remotes: Press and hold the learn button on the **garage door lock control box**. The red LED will light up and then go off. Release the learn button.

Now press the top left button on the remote **ONCE** then wait one second press it again, wait one more second press the button one more time. The light bulb on the control box should turn on. The learning process for that remote is now complete. As a test, press the top left button on the learned remote. The light bulb on the control box should respond by turning on or off as commanded. Repeat the entire learning procedure above to learn more remotes. **Note:** (Use 60 watt max. **incandescent** bulb only in the garage door lock control box)

TO UNLEARN the remotes: press and hold the learn button, LED turns on, hold until the red LED turns off, continue to hold the learn button until the red LED turns on again. Release the learn button while the red LED is on. All remotes and keypads are now unlearned.

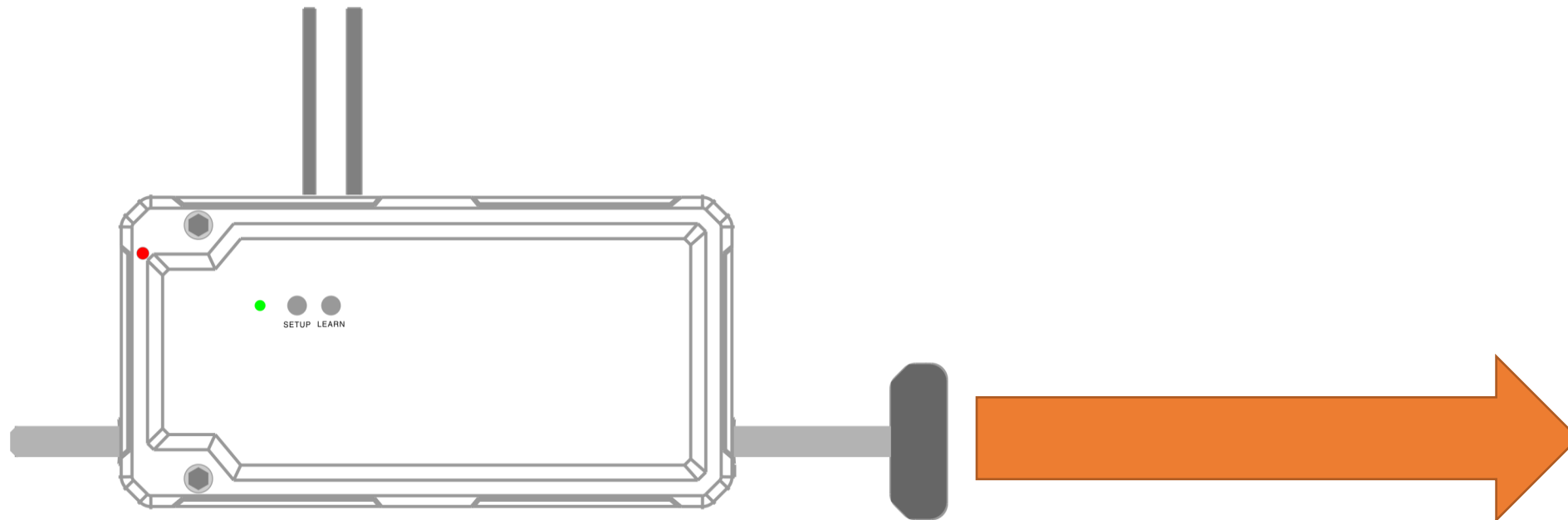


Power Failure - Manual Lock Operation

5. 2 Manual Lock Operation

If the power goes out or if the garage door operator stops working you can still operate the garage door and GARAGE DOOR LOCK manually. **BEFORE** you pull the garage door release on the operator track, manually unlock the GARAGE DOOR LOCK, follow the instructions as shown below. Gently pull the lever towards the right.

When the power is restored or comes back on, if the door is closed, the lock will automatically lock in 5 seconds.



Password Setup



Replacement Parts



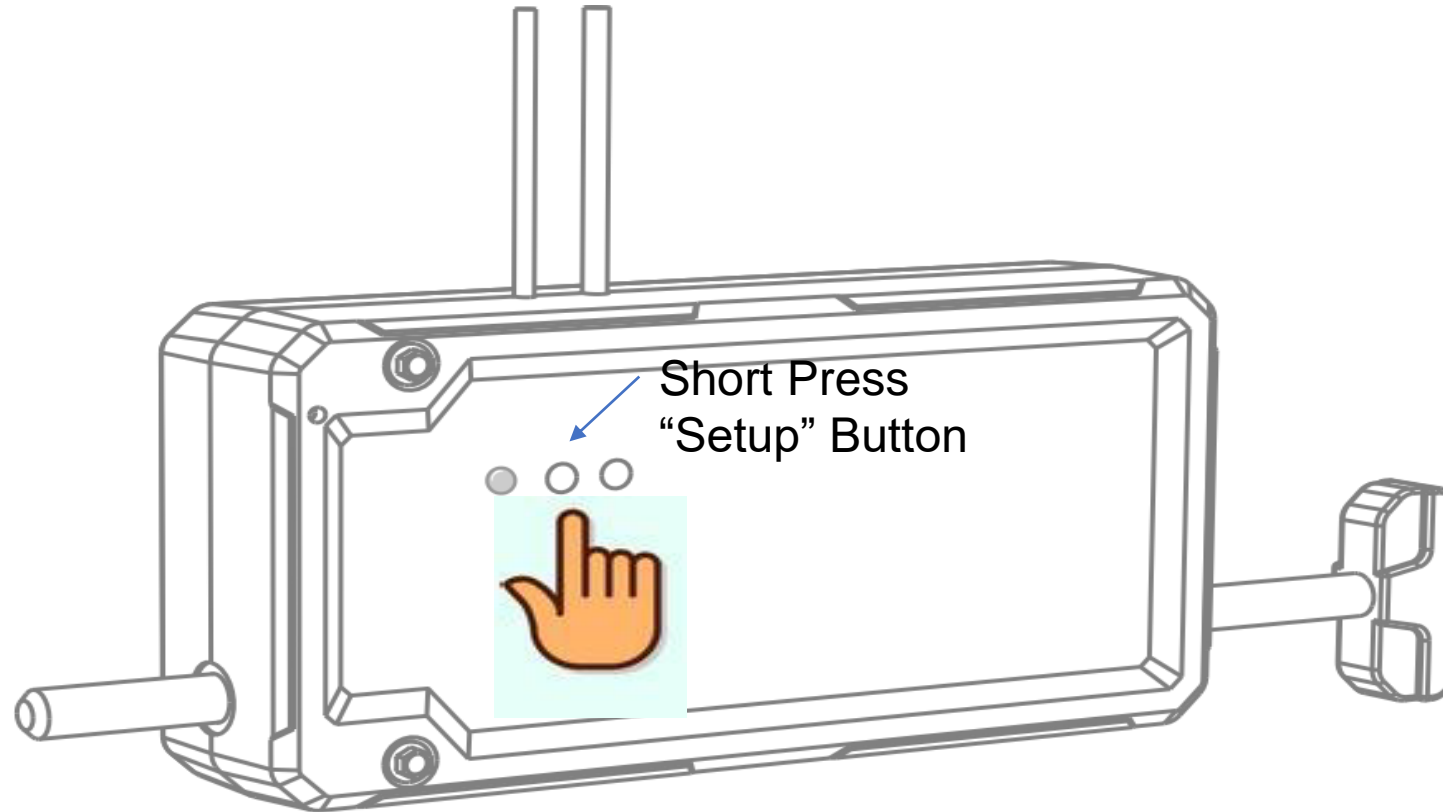
Extra Remote



Wireless Keypad

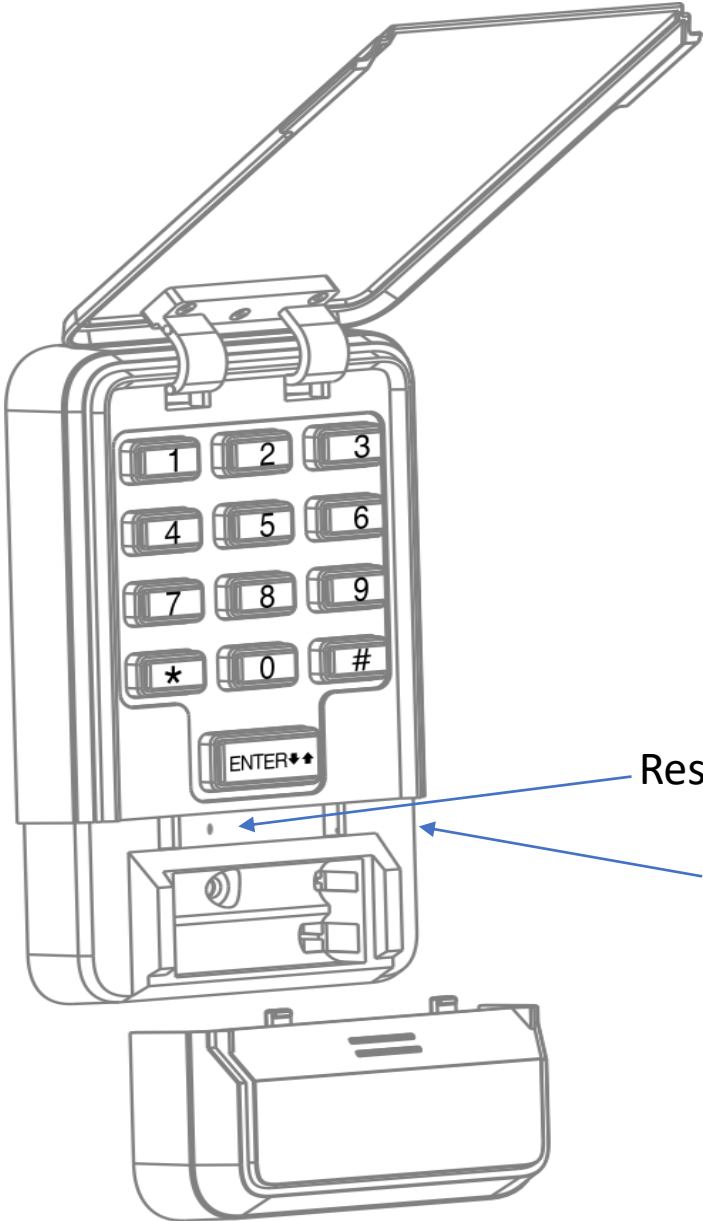
The Garage Door Lock – Outside Panel Configuration

(Configuration was completed before delivery)



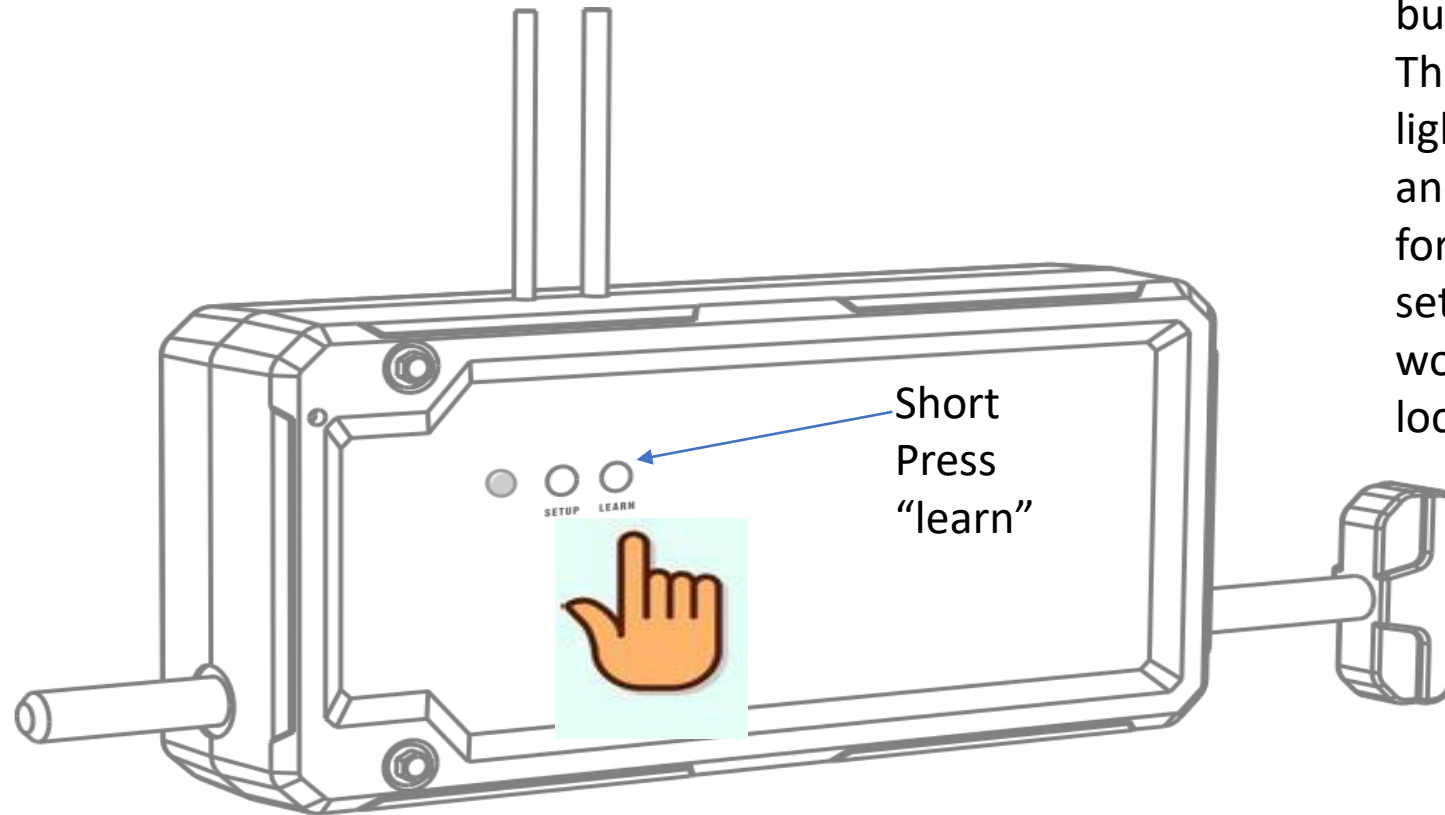
Short Press "SETUP" button on the Garage Door Lock. The working indicator light will turn to green and keep flickering slowly. (After con-fig successful, the working indicator light of lock box will turn to white and flickering twice.)

The Garage Door Lock – Outside Panel Configuration



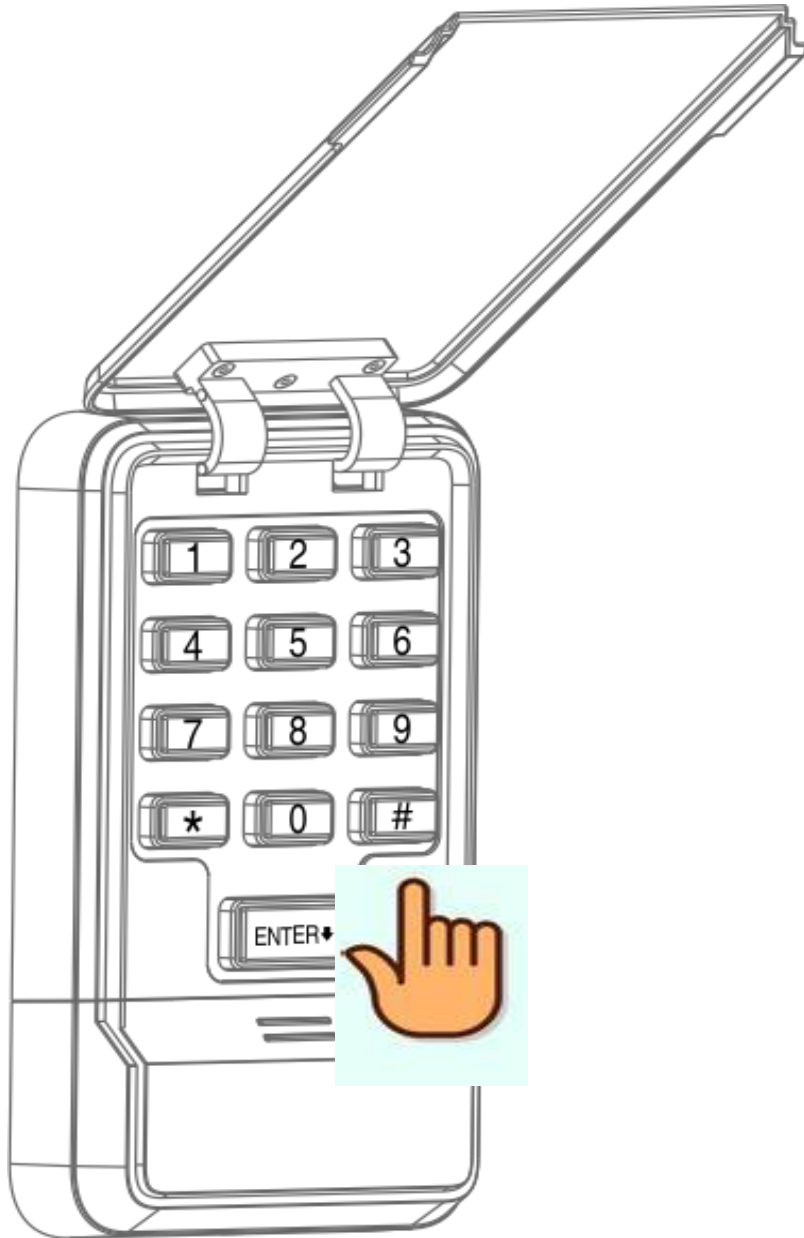
Press the reset button on the outside Panel with a needle till the keypad is flickering slowly. After con-fig is successful, the keypad will light For 2 seconds. If fail to con-fig, keypad light will turn off

The Garage Door Lock – Adding Password on Outside Panel



Short press “learn:
button on lock box
The working indicator
light will turn to yellow
and keep flickering slowly
for 30 seconds. After
setting successfully, the
working indicator light
lock box will flicker twice.

The Garage Door Lock – Adding Password on Outside Panel



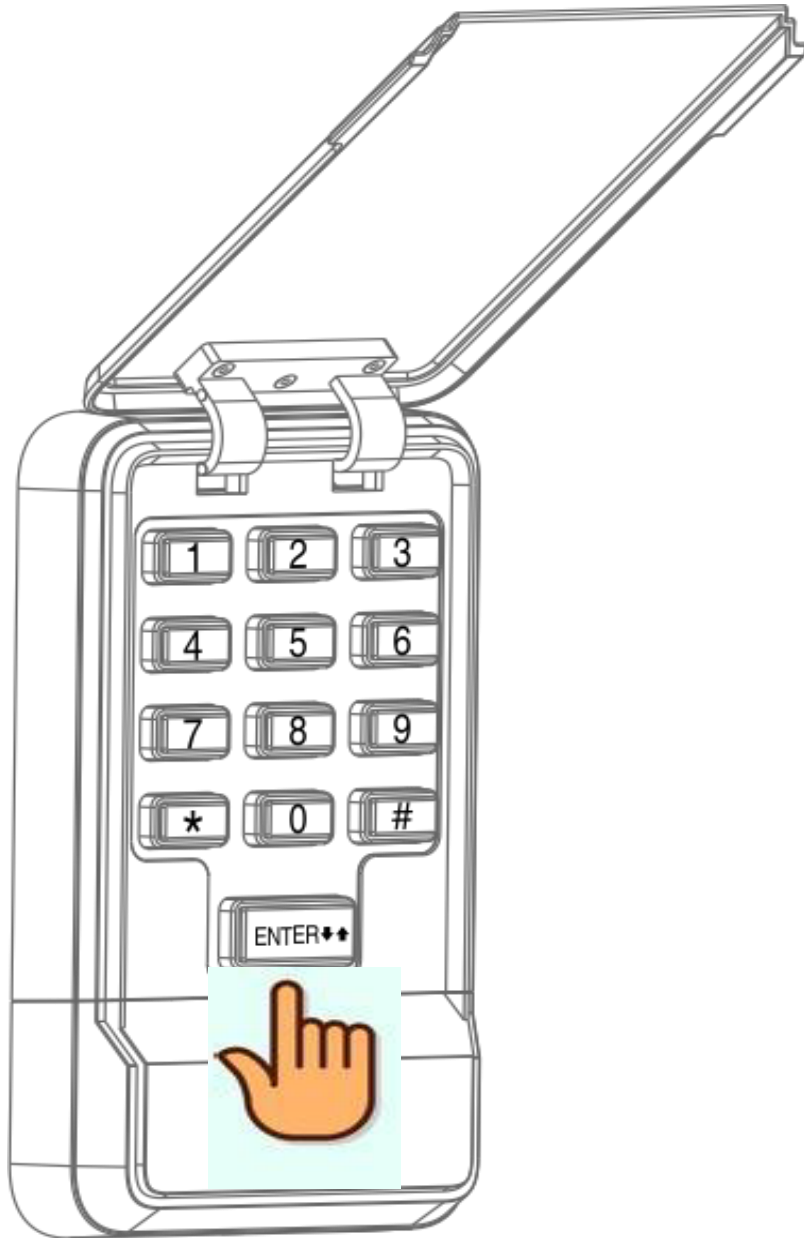
Enter a 6 digit password
and press # to confirm.

??????

“#”

After setting successfully.
The working indicator light
of lock box will flicker
twice and beep

The Garage Door Lock – Open the lock with Outside Panel

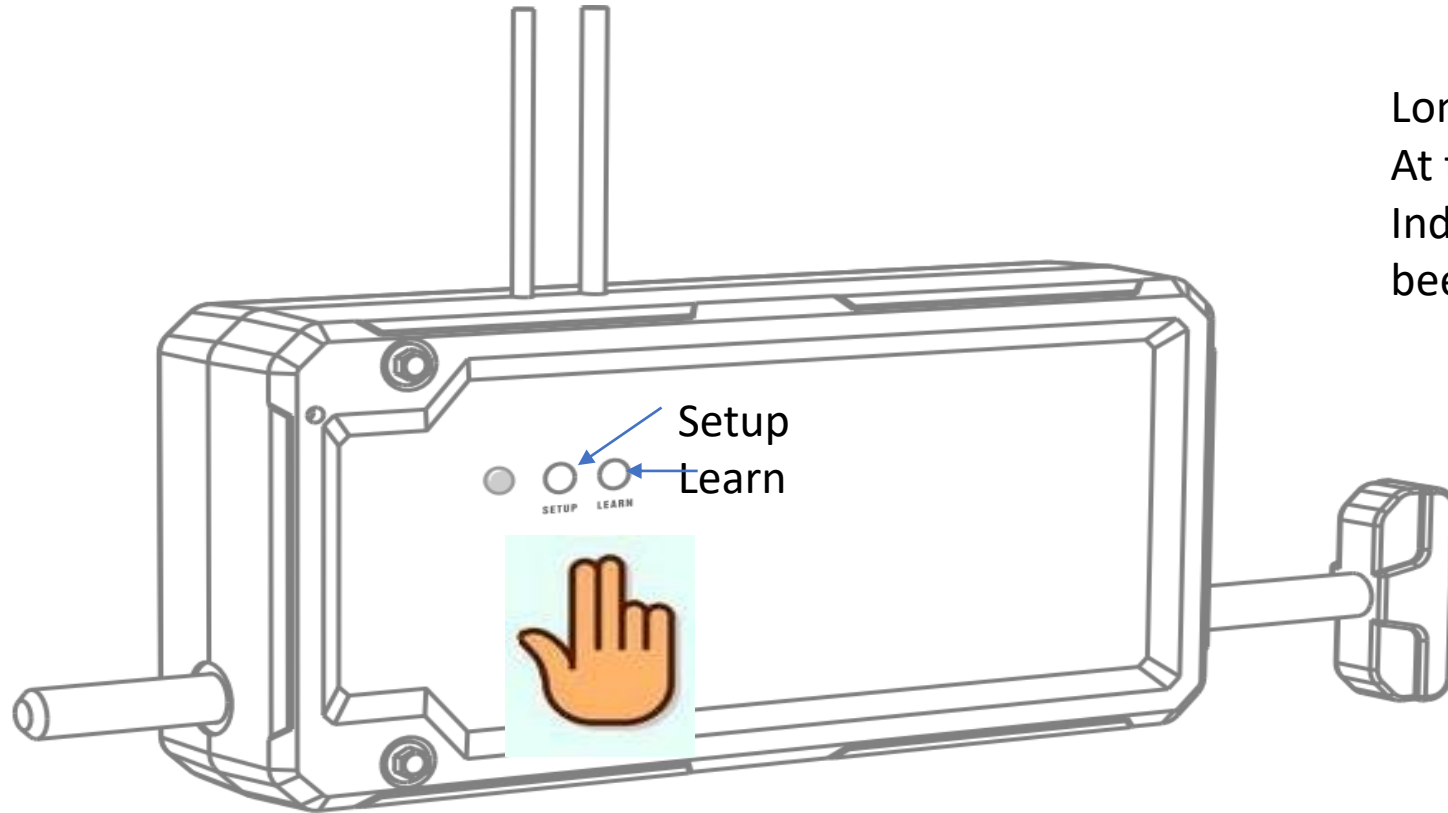


Enter a 6 digit password
and press enter to unlock.

??????

“enter”

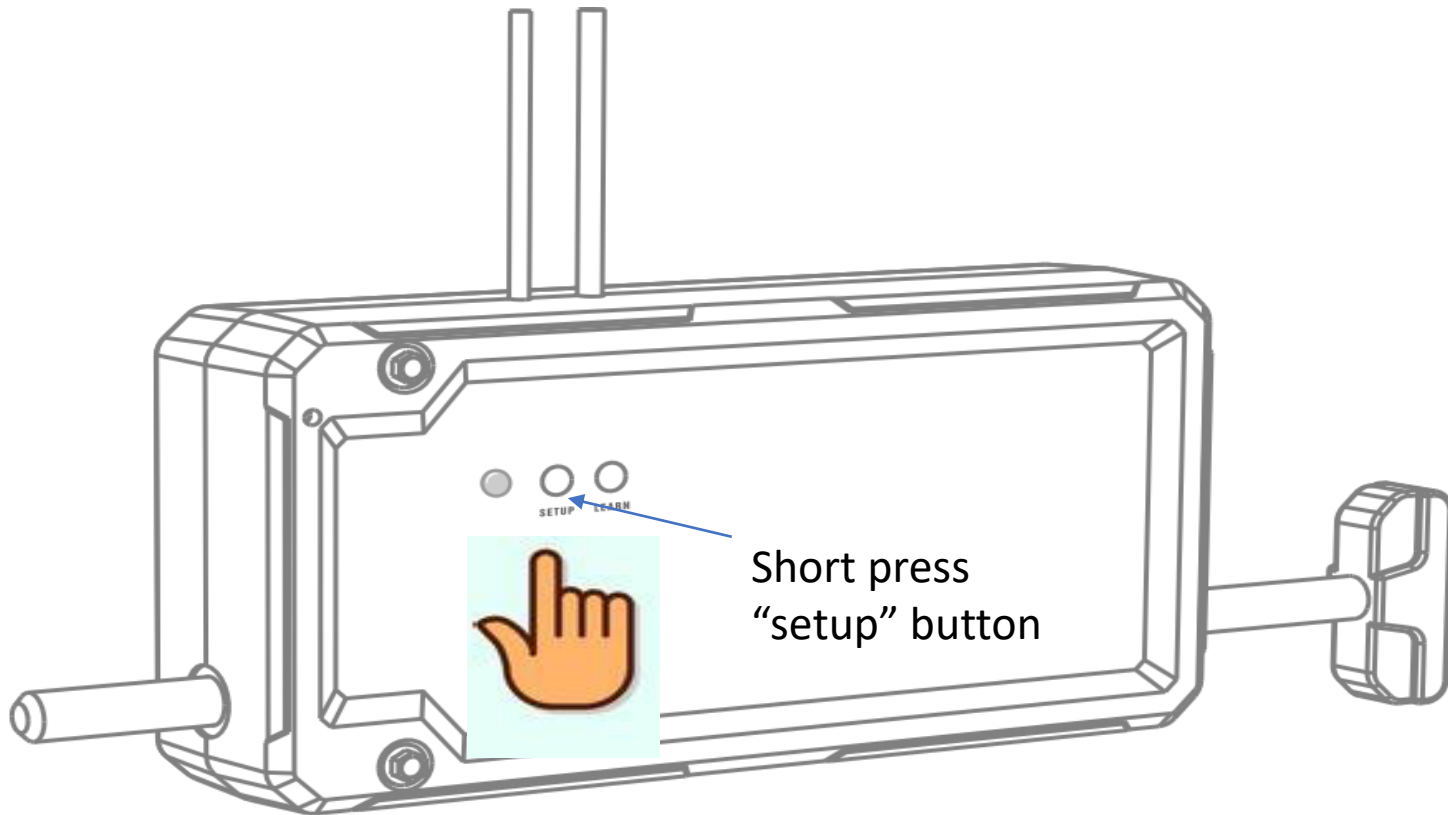
The Garage Door Lock – Delete all password and matched remote control



Long Press “Setup and Learn”
At the same time till the working
Indicator light is flickering twice and
beeps one time

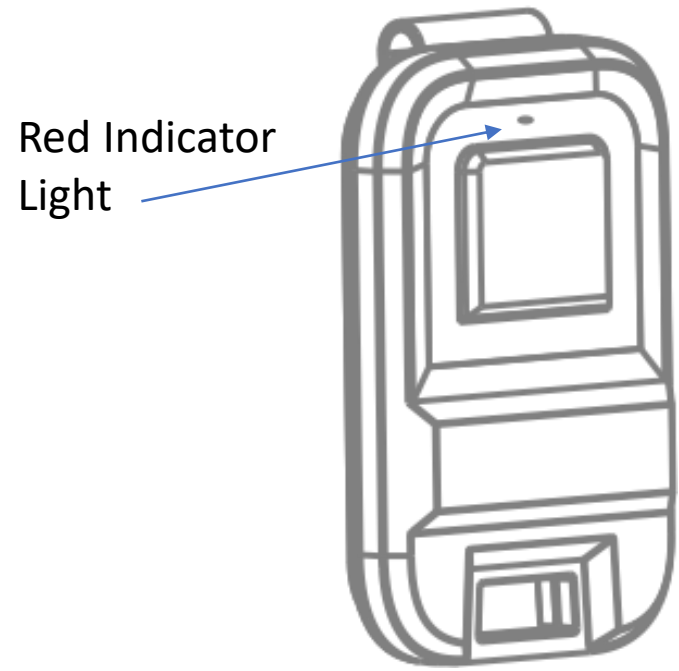
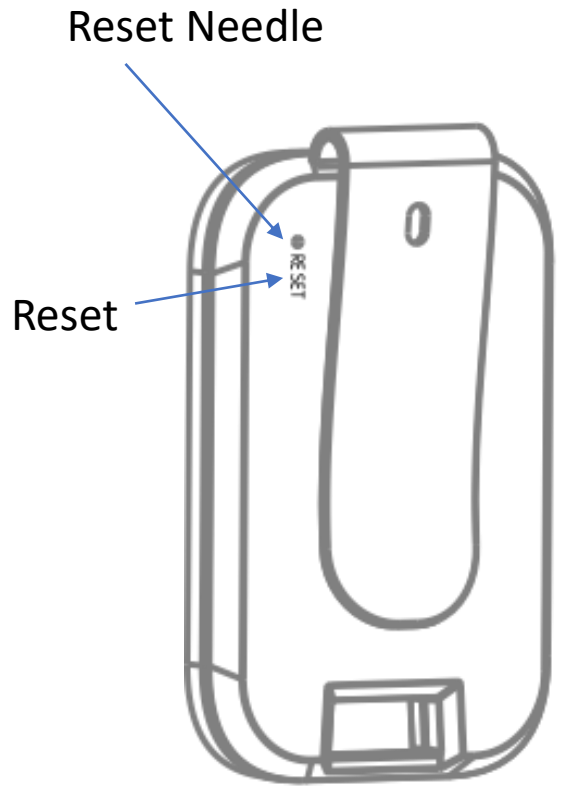
The Garage Door Lock – Remote Control Configuration A

(Configuration was completed before delivery)



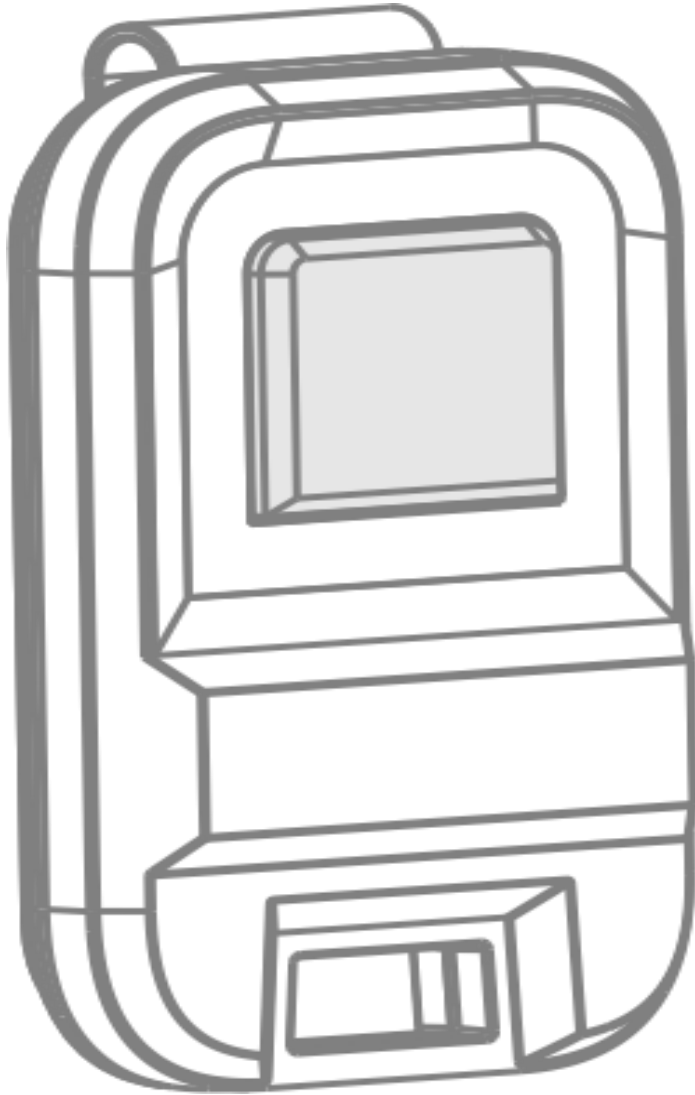
Short press “setup” button on
The lock box, the working
Indicator light will turn to
Green and keep flickering
Slowly. (after con-fig is successful,
Working indicator light will
Turn to white and flicker twice

The Garage Door Lock – Remote Control Configuration B



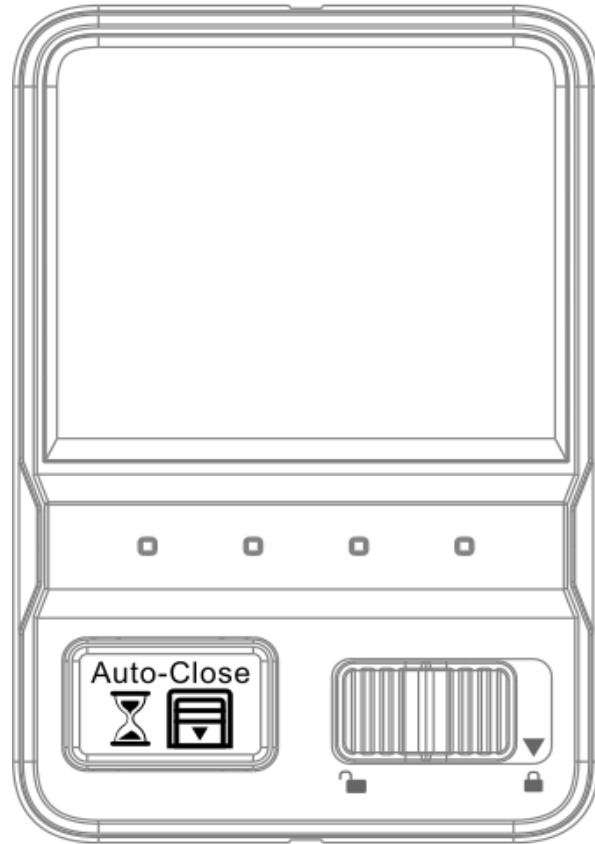
Press the reset button on
The remote control with a
needle till the led indicator
light is flickering slowly.
(after con-fig successful LED
Light will turn n for 2
seconds. If it fails to con-fig,
Led indicator light will turn
off.

The Garage Door Lock – Open Lock with Remote Control

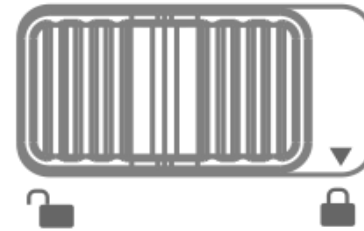


After con-fig successful
user can press the
remote control button to
unlock

The Garage Door Lock – Locking Mode Setting

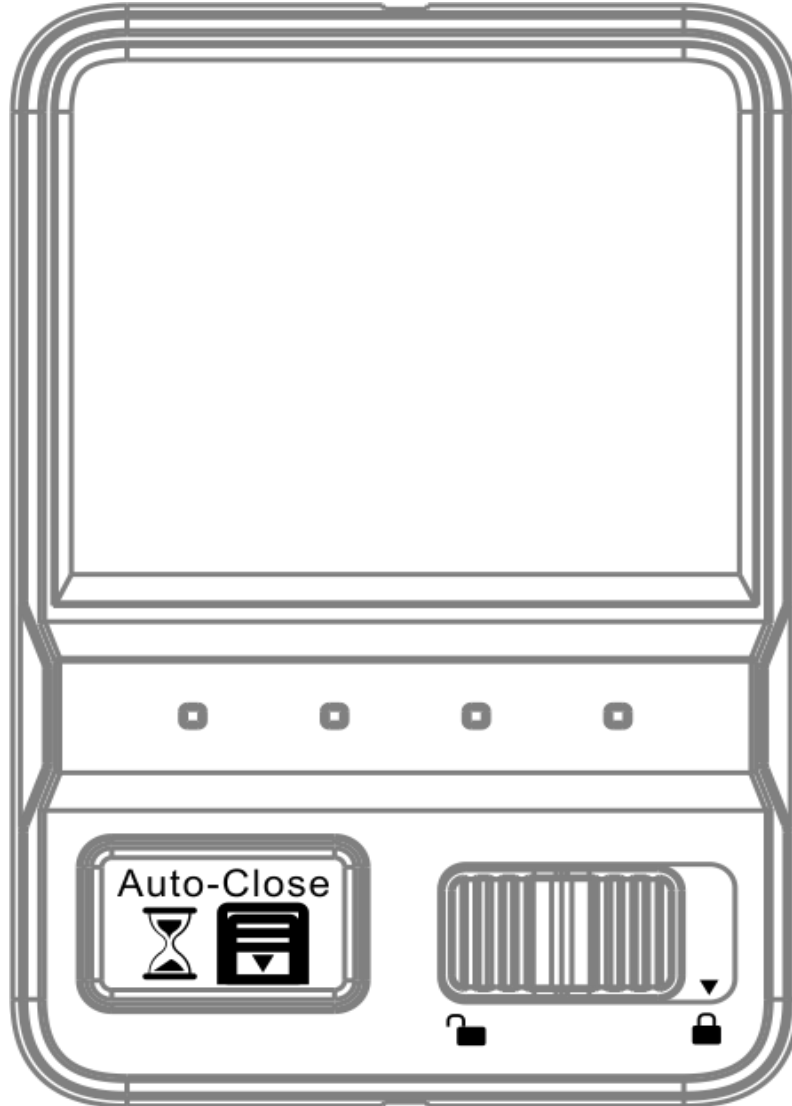


Switch the button to lock
That enable all locking modes



Switch the button to unlock that
will disable all other locking
modes except using the button on
the wall console to unlock

The Garage Door Lock – Auto Close Setting



Press "Auto Close"
To stop this function

Replacement Parts



Extra Remote



Wireless Keypad

Warranty Limitations and Guidelines

At Elocksys, Inc. we provide a limited warranty of this product as stated below.

One-year limited warranty on mechanical and electrical components only, against manufacturers workmanship and material defects.

We test each lock before it is packaged for sale, we will not cover or be responsible for damage as a result of mishandling, pure or incorrect installation, nor will we cover human error or implied accidents by the customer or installer.

We provide a battery with each remote in the kit, it will be the customers responsibility to replace the battery should it lose power. The customer is responsible for replacing the light bulb, even though one may be provided in the kit.

The customer must pay the shipping and handling for the replacement unit and for the return of the alleged defective unit to the factory. The customer will be billed for the replacement lock until the lock returned for warranty is evaluated.

Each warranty claim will be processed on an individual case by case basis.

WE MAKE NO OTHER WARRANTY, EXPRESS OR IMPLIED, AND WE DISCLAIM ANY WARRANTY OR ANY OTHER KIND, INCLUDING ANY WARRANTY OF MERCHANTABILITY OR FITNESS FOR A PARTICULAR PURPOSE.

WE AND YOU AGREE THAT THE SOLE AND EXCLUSIVE REMEDY FOR NONCONFORMING GOODS SHALL BE REPLACEMENT OF DEFECTIVE GOODS. The parties acknowledge that the price of our products would be much greater if we undertook more extensive liability.

This warranty shall not apply to damage resulting from (I) loss or damage in transit, (II) unreasonable use, (III) Buyer's negligence, or (IV) accident. We reserve the right to examine the alleged defective goods to determine whether the warranty is applicable.

Please register and notify Elocksys of the purchase and installation of your new lock assembly. Fill out the warranty card completely or register on line at our web site. The information you provide on the registration card is to be used for individual customer relations and Warranty confirmation purposes only. Your privacy is important to us, the information on the warranty registration card will not be sold or shared.

The information on the survey card is optional and voluntary and may be sold or shared for marketing and survey purposes.

The one-year warranty starts with, date of sale or purchase to the end user, not date of installation and is limited to the original purchaser. These requirements include the purchases from wholesale distributors, stores, contractors and retailers.

You must Show proof of purchase, date and location of installation upon warranty request, which will be matched with the product registration. The warranty will be void if false information is provided on the registration document or proof of purchase receipt by the original purchaser.

Some states do not allow specific or general limitations on product warranty, Implied or incidental. However, the legal protections provided by the state in which the purchaser, user resides will be observed.

Elocksys Inc. reserves the right to repair or replace lock assemblies and individual parts with tested and known good reclaimed parts or new parts.

Repairs of lock assemblies and parts that exceed the ONE YEAR LIMITED WARRANTY period, will be paid by the customer, at current labor and part rates, along with shipping and handling.

For warranty service contact Elocksys, Inc., 760-525-1017 www.The-Garage-Door-Lock.com

Troubleshooting

For technical assistance, contact us 760-525-1017 at www.The-Garage-Door-Lock.com

The **garage** door lock is assembly tested, unit tested and run tested for quality assurance before it is packaged for sale. We at Elocksys Inc. take pride in creating products that customers can rely on.

Use this troubleshooting table to help troubleshoot possible errors that may occur during installation or everyday use of the **garage** door lock.

This troubleshooting table is designed to help quickly identify the source of most malfunctions that may occur with the **garage** door lock. Refer to the garage door and door operator owners manuals for malfunctions not related to the lock.

If necessary to service or test garage door or opener be sure to manually unlock and disable the garage door lock.

How to use this troubleshooting table.

Go to the Item section in question:

REMOTES

LOCK CONTROL BOX INCLUDING LIGHT BULB LOCK

HEAD

OPERATOR (garage door operator)

This troubleshooting guide is a basic guide to help troubleshoot and identify the most common installation errors and possible malfunctions that may occur. For more complex issues contact and authorized service technician.

Symptom

- No response when Light or Door buttons is pressed and held for at least 1 second.

Problem

- LED blinks rapidly or does not light
LED lights continuously when button pressed
Remote will not LEARN with a fresh battery.
LED does not light with fresh battery

Possible Solution

- Check battery contacts and/or replace battery
Perform 'LEARN' function for the remote.
Contact authorized service technician
Contact authorized service technician.

Symptom

No response when Light or Door buttons is pressed and held for at least 1 second.

Problem

LED blinks rapidly or does not light
LED lights continuously when button pressed

Remote will not LEARN with a fresh battery.
LED does not light with fresh battery

Possible Solution

Check battery contacts and/or replace battery
Perform 'LEARN' function for the remote.
Contact authorized service technician
Contact authorized service technician.



Symptom

No response when Light or Door buttons is pressed and held for at least 1 second.



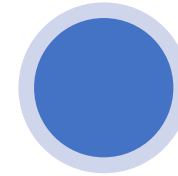
Problem

LED blinks rapidly or does not light

LED lights continuously when button pressed

Remote will not LEARN with a fresh battery.

LED does not light with fresh battery



Possible Solution

Check battery contacts and/or replace battery

Perform 'LEARN' function for the remote.

Contact authorized service technician

Contact authorized service technician.

Troubleshooting Garage Door Lock Control Box



Symptom

LED does not light when 'LEARN' button is pressed on control box.

Light on Control Box does not turn on.



Problem

Control box not plugged into the 110V AC outlet.

Outlet has no power.

Circuit breaker on the Lock Control Box is tripping.

House circuit breaker tripping.

Light bulb burned out.

Known good bulb still does not turn on.



Possible Solution

Plug control box into the outlet.

Make sure switches and circuit breakers are turned on for the outlet.

Contact authorized service representative.

Contact qualified electrician.

Replace with new bulb. Caution: Bulb must not exceed 60Watt incandescent only.

Contact authorized service representative.



Symptom

Lock does not unlock when either the bell switch or remote is pressed.

Lock runs, but does not unlock fully.

Lock runs, unlocks fully, motor continues to run and door does not open.



Problem

Lock runs, but does not unlock fully.

Control box plugged in, not working.

Lock bolt is rubbing on sides of receiver hole.

Debris or binding in the lock mechanism.

Faulty limit switch in lock mechanism.



Possible Solution

Plug in Lock Control Box.

Go to the section on troubleshooting the Lock Control Box.

Enlarge the receiver hole.

Contact authorized service representative.

Plug control box into the outlet.

Change



Symptom

When door closes, lock does not lock.

Lock runs, but does not lock fully, red LED does not light.

Lock runs, locks fully, motor continues to run for a while and red LED does not light.



Problem

Faulty alignment of magnetic switch and magnet, or distance between magnet and switch

Magnet and switch align, problem is in wiring or control box.

Lock bolt is rubbing on sides of receiver hole. Receiving hole is obstructed.

Debris or binding in the lock mechanism.

Faulty limit switch in lock mechanism.



Possible Solution

Make sure switches and circuit breakers are turned on for the outlet.

Contact authorized service representative.

Contact qualified electrician.

Replace with new bulb. Caution: Bulb must not exceed 60Watt incandescent only.

Contact authorized service representative.

Contact authorized service representative.



Symptom

Lock unlocks correctly, the door does not open.

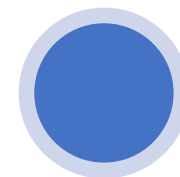


Problem

Lock not fully unlocked.

Garage Door Operator not plugged into the 110V AC outlet. Loose bell wire from Control Box to operator.

Control not generating signal to the operator.



Possible Solution

See the section on Troubleshooting Lock Head.

Plug the door operator into the outlet on the Control Box.

Reconnect bell wire.

Unplug lock from 110V AC outlet.

Manually unlock the door.

Plug opener into 110V AC outlet.

Wire bell switch on the wall to the opener.

Press the bell switch.

If the door opens, contact your authorized garage Door lock service representative.

If the door does not open, contact your service representative for your opener.



Symptom

When the door is open, the door does not move at all when either the bell switch is pressed or the remote is used.

When the door is open, the door starts to move when the bell switch or remote is pressed, but the door stops or reverses direction.



Problem

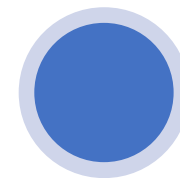
Garage Door Operator not plugged into the 110V AC outlet.

Loose bell wire from Control Box to operator.

Door operator not working or Lock Control not generating signal to the operator.

Safety beam in door is interrupted.

Mechanical binding of the opener drive or door track.



Possible Solution

Plug the door operator into the outlet on the Control Box.

Reconnect bell wire.

Unplug lock from 110V AC outlet.

Manually unlock the door.

Plug opener into 110V AC outlet.

Wire bell switch on the wall to the opener.

Press the bell switch.

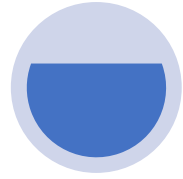
If the door opens, contact your authorized Garage Door Lock service representative.

If the door does not open, contact your service representative for your opener.



Symptom

When the door is open, the door starts to move when the bell switch or remote is pressed, but the door stops or reverses direction.



Problem

Safety beam in door is interrupted.

Mechanical binding of the opener drive or door track.



Possible Solution

If the door opens, contact your authorized Garage Door lock service representative.

If the door does not open, contact your service representative for your opener.

Make sure sensors are aligned and nothing is blocking the beam.

Check the troubleshooting section of your opener manual.

Guide for **unlearning** your operator remotes and keypads as stated on **page 9** of this manual, **Step 2**.

Merlin

Prolift M230TG

Press and hold the Learn (or setup on some models) button for eleven seconds, until the courtesy lamp stops flashing. After six seconds it will flash fast as a warning. If you release the learn (or setup) button during this warning period then the memory will not be wiped.

Raynor

All models including Ultra

Press and hold the “learn” button on the motor until the learn indicator light goes out (approximately 6 seconds). All previous codes are now erased.

Wayne Dalton 3014, 3018, 3018DLX, 3514 and Door Master

Pressing and holding the PROGRAM SWITCH button for 10 seconds will erase all transmitters from memory. The SATUS light and overhead light will flash 3 times indicating a successful erase operation.

Lock installation on garage doors with “**Wayne Dalton** “ openers with wireless indoor controller. These steps must be followed carefully!

Step 1

Before starting lock installation make sure the door is balanced and operator works as specified by manufacturer including all adjustments and pressure settings.

Step 2

Unlearn all remotes, keypads, & indoor controls, after all adjustments are completed as specified by manufacturer. See page 35 of this manual for unlearn procedures.

NOTE; Setting the door stopping points and reverse pressure are done using the indoor wireless controller, make sure this is completed before un-learning the wall control unit. At this time remove wall mounted control unit, keypads, collect all remotes. Place items in RED bag supplied with this kit.

Step 3

Unplug opener at this time.

Step 4

Install lock assembly as instructed in the garage door lock instruction booklet, the only exception is where to mount the garage door lock control box. Control box must be mounted where the Wayne Dalton opener plugs into the 110vac outlet. Care must be taken when routing wire to keep clear of all moving parts.

Step 5

Locate bell switch terminals. On the “Door Master” model, under plastic cover in light bulb compartment, in right side end cover of motor drive on “Extension Spring” or “Torquemaster” models, or behind gear on the right side of “Torsion Spring” models.

On models with terminal blocks numbered 1, 2, 3, always use terminals 1 and 3. On others that have two terminals just use terminals. These terminals need to be exposed to connect the garage door lock control box. See page 18 for general connection instruction.

Keypad Installation

Keypad Installation – do this at a quick pace

- Short press the learn button on the Garage Door Lock
- Enter a 6 digit passcode on keypad, then press #
- Enter 6 digit passcode then press enter (Garage door should close or open).
- Programming is now complete

Remote Programming – do this at a quick pace

- Short press the learn button on the Garage Door Lock
- With a small pin/needle, press and hold the reset button on the remote until the light blinks then release.
- The light on the remote should go solid and then off completely
- Press the large button on the remote (The Garage door lock should beep then close or open).
- Programming is now complete

If for some reason the Keypad Programming Process does not respond, please follow these steps to reboot connection.

- Short press setup button on the garage door lock, light on lock should start to flash green.
- With small pin/needle press and hold reset button on the keypad until the light on keypad blinks, then release.
- Light on keypad should go solid and then off completely.
- REPEAT ABOVE STEPS TO PROGRAM THE KEYPAD.
- MAKE SURE YOU HEAR A CLICK WHEN PRESSING THE RESET BUTTON AT ANYTIME!

End The Garage Door Lock Installation

